

TERRACE™ 1150/1152

SQUARE/RECTANGULAR
COFFEE TABLES

bdiusa.com
customerservice@bdiusa.com

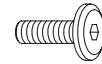


Product Registration

Registering your new BDI product allows us to send you important product updates, service information and helpful hints related to your BDI products. Register today, and you will be entered to win free a BINK table from BDI: www.bdiusa.com/register



T2 Hex Wrench x 1



H1 1/4-20 x 15 mm
Machine Screw x 16

Placement and Maintenance

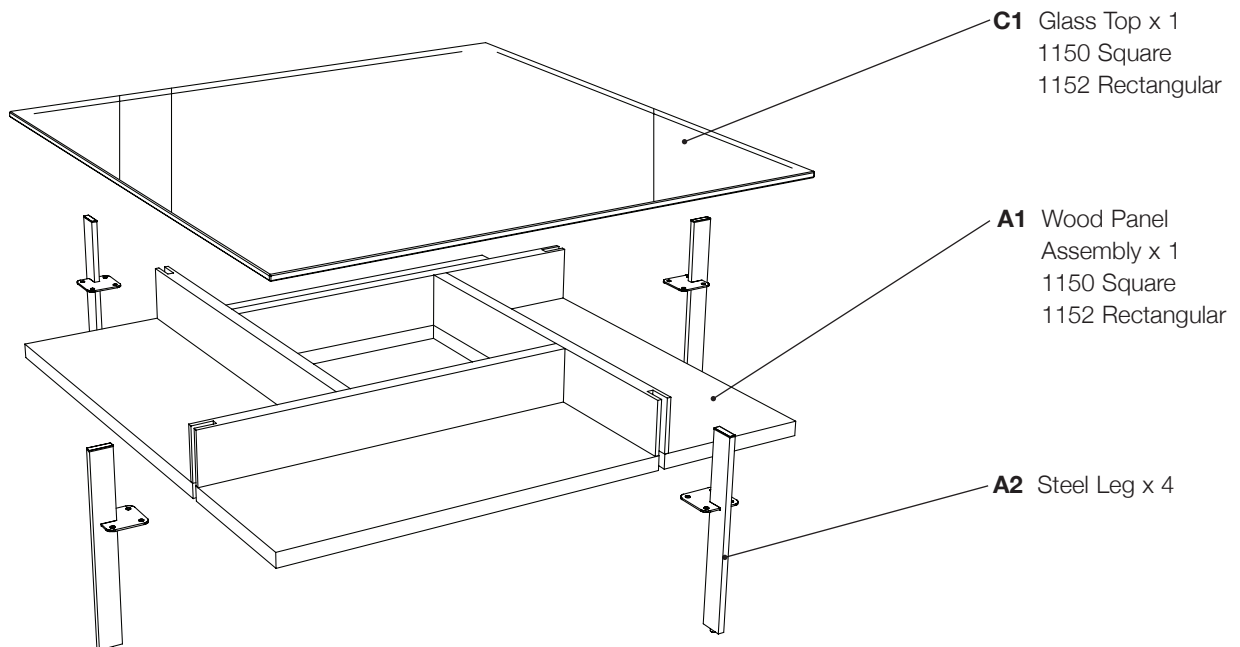
Your Terrace Coffee Table is designed for indoor use on level floors. Clean wood veneer and steel parts with a moist cloth and clean glass with glass cleaner.

Terrace is engineered for easy assembly. Carefully follow this procedure to prevent any damage. Do not use power tools for assembly of this product.

Step 1

Unpack and identify the parts listed below. The assembly workspace should be a non-marring surface such as carpet. For missing hardware pieces, contact BDI Customer Service at: customerservice@bdiusa.com.

For all other concerns, please contact your BDI retailer.

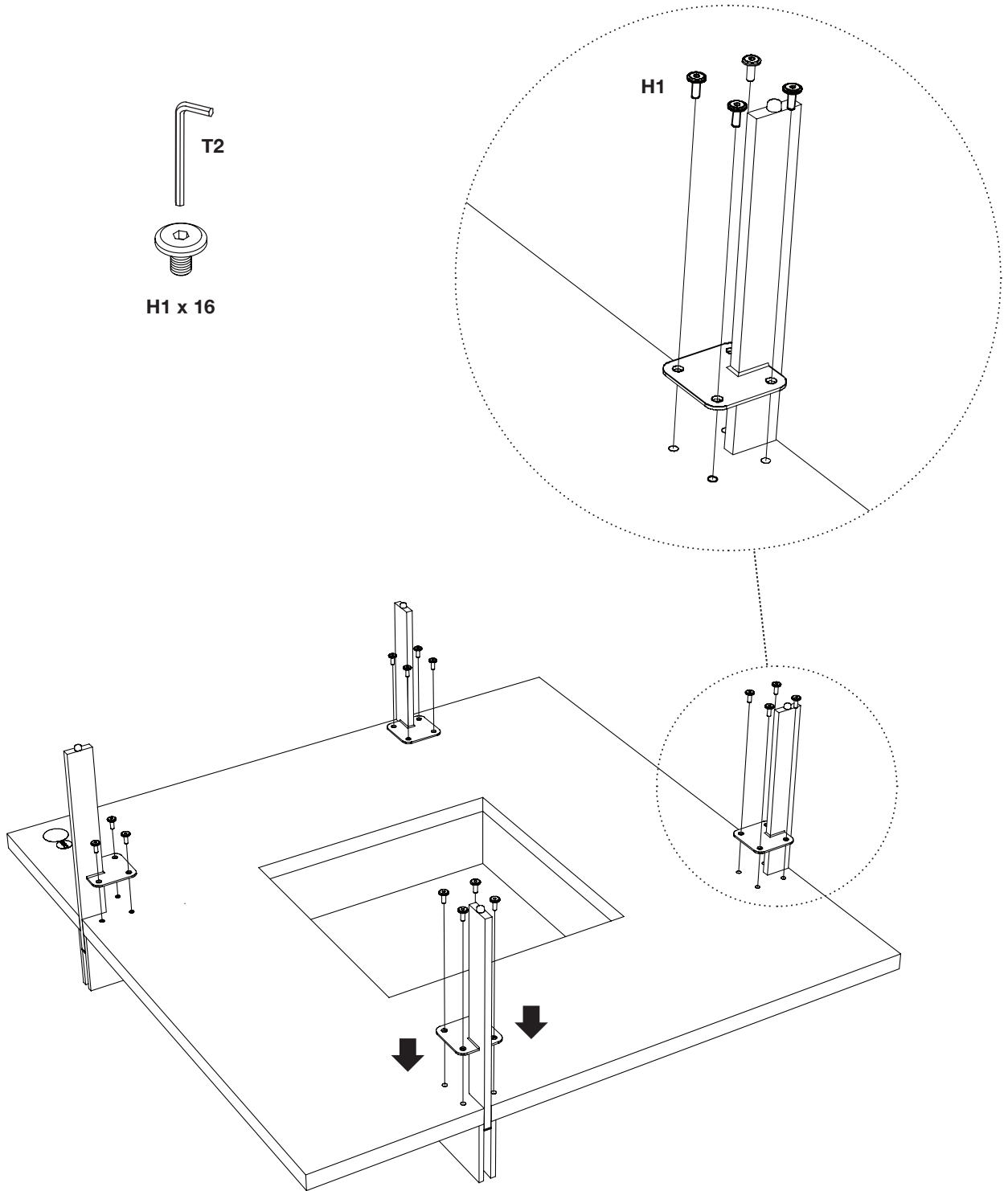
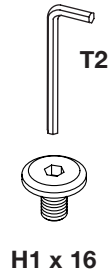


Designed by Matthew Weatherly.

These distinctive product configurations are protected by US and international patents, trade dress, and/or copyright laws. Terrace & BDI are trademarks of Becker Designed, Inc. All rights reserved. ©2016, BDI
Made in China. 11.17.2016 V1

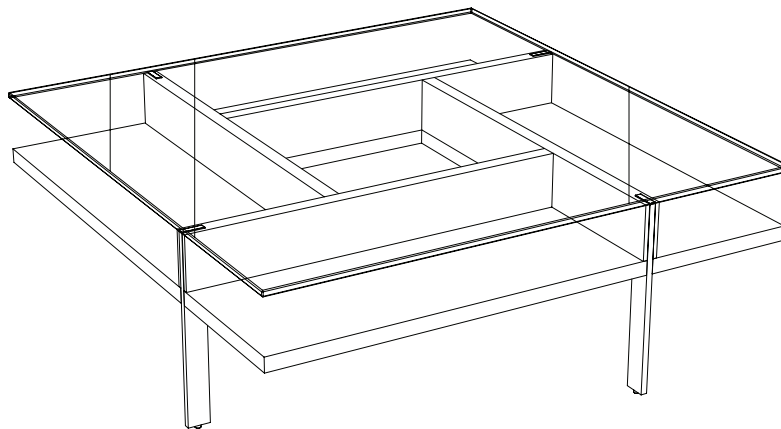
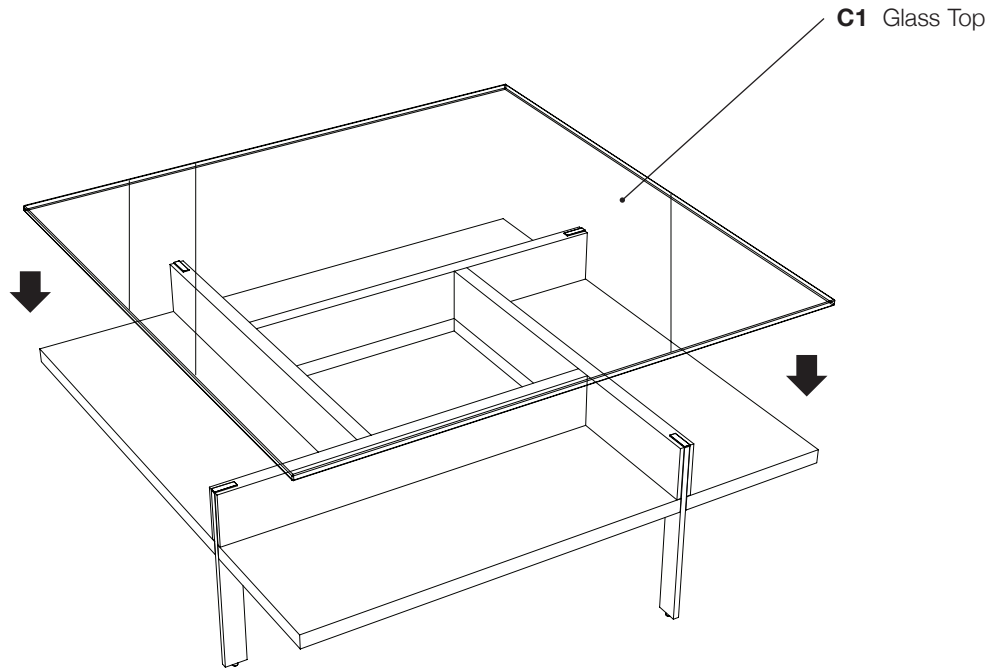
Step 2 - Attach Legs

With help from another person, carefully position the **wood panel assembly A1** upside-down. Attach the **4 legs** using **16 screws H1** and **hex wrench T2**. Do not fully tighten until all 4 screws (of each leg) have started threading into their holes.



Step 3 Position Glass

Clean both sides of the **glass top C1**. With help from another person, carefully position your coffee table on its feet, then position the glass on the coffee table assembly making sure all four sides are flush with the wood panel.



Assembled Coffee Table