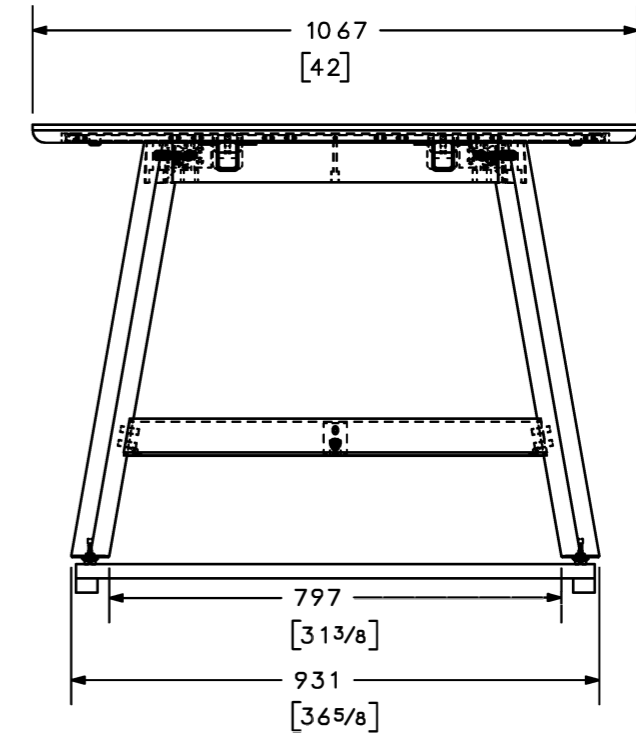
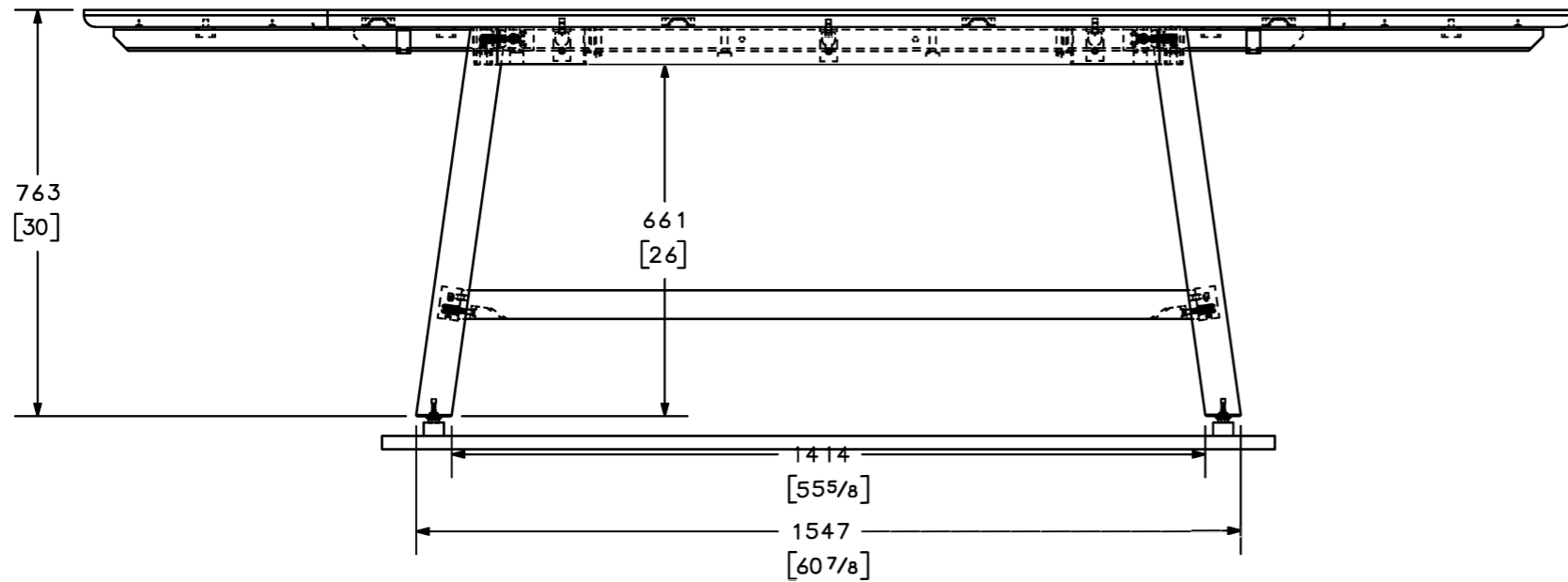
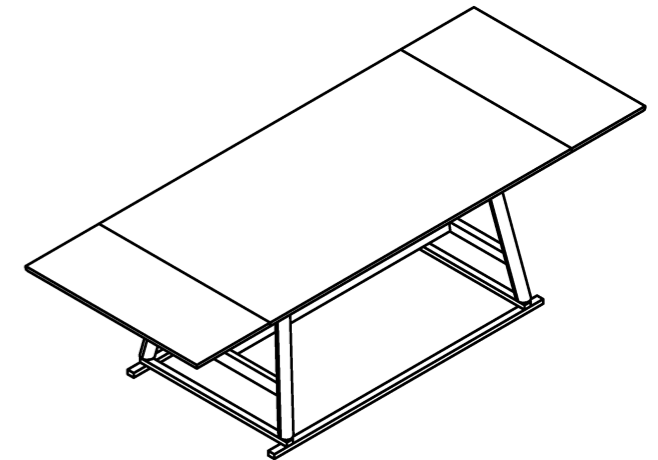
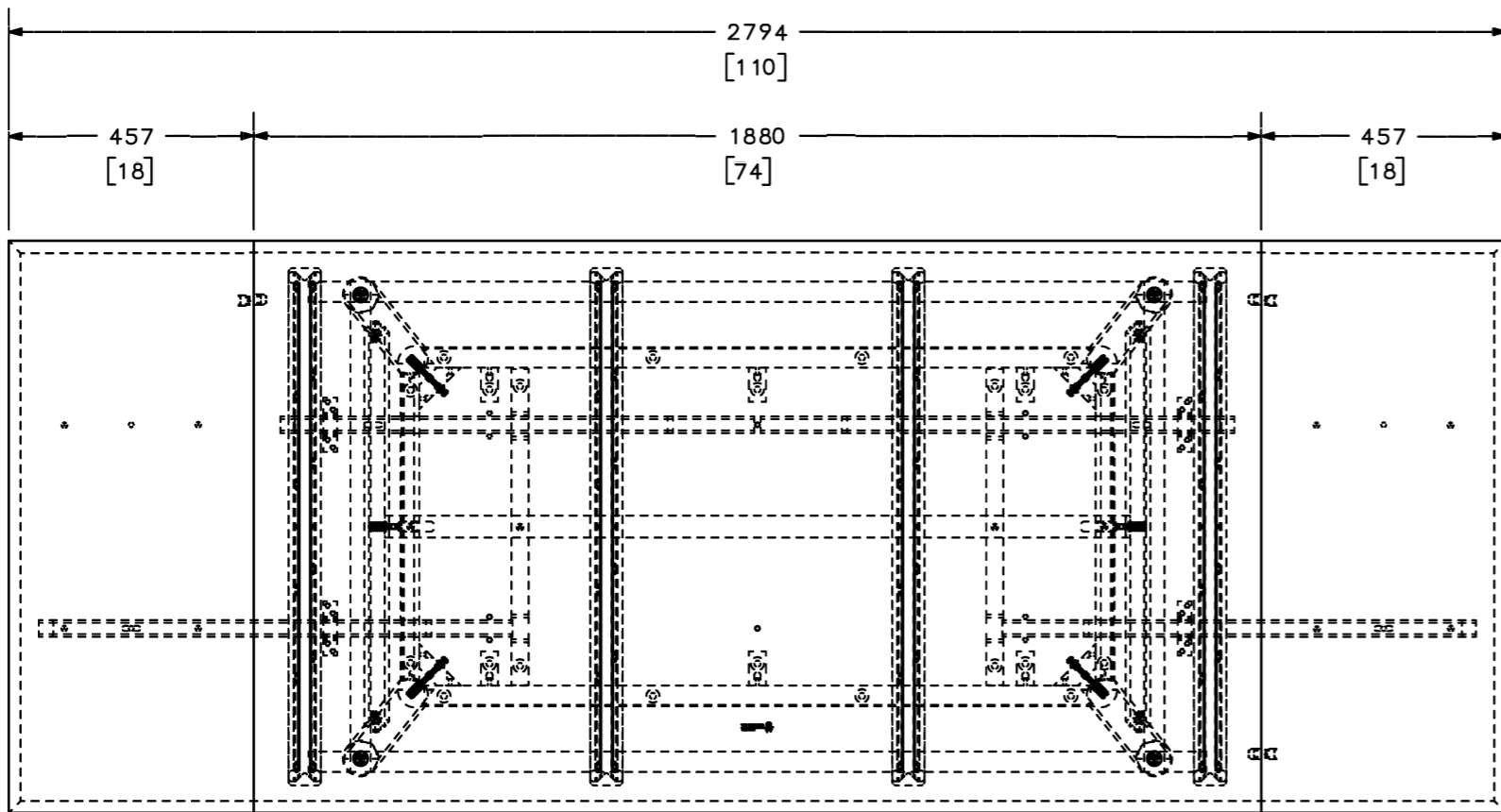


METRIC
(dimensions in millimeters)



STICKLEY

PART NO.
FG-MT09930

TITLE:
DINING TABLE

REV
A

CHANGED BY:
Hall, B

LAST SAVED:
23-Mar-2020

SCALE:

SHEET:
1 of 1

TOP MUST BE FINISHED ON ALL SIDES!!!
INSIDE OF METAL ROUTE TO BE FINISHED