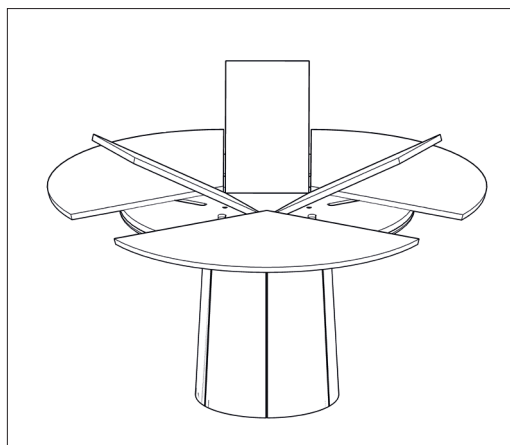


www.skovby.com

Assembly & Maintenance Instructions



SM33

Congratulations on your new Skovby furniture **Skovby**

In the course of more than 80 years, Skovby has become one of the leading manufacturers of complete dining room suites in Europe. Skovby is known throughout the world for the timeless design, unique functions and fine workmanship of its furniture.

Craftsmanship




Traditional craftsmanship still forms the basis of each piece of Skovby furniture, so you can be confident that you are getting the very best of Danish furniture tradition and design. Wood is an appealing material, among other things because of the beautiful, individual structures created by nature. Consequently, minor differences in colour and texture should not be regarded as defects, but be perceived as unique and individual. Not two pieces of furniture are 100% identical.

Care & Maintenance

Always follow the care instructions leaflet accompanying your new furniture.



SM33

	Antal/ Quantity/ Anzahl/ Nombre	Varenr. Item Artikel-Nr. Code
	1 x A	994234
	3 x B	994230
	3 x C	994204

Environment

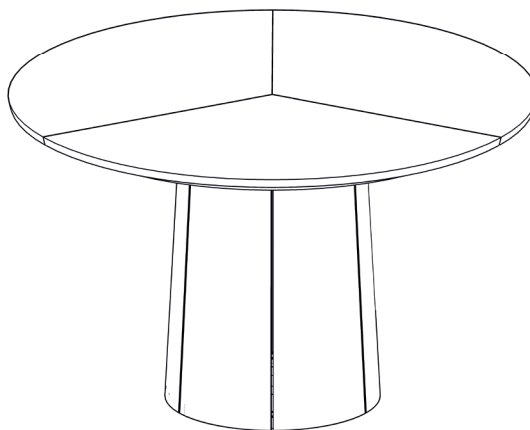
Skovby continually searches for new methods for the production of environmental furniture. Therefore your new furniture affects nature as little as possible as only the beautiful visible surfaces are made of slowly growing precious wood. The surface treatment and the eco-friendly inner wood, for veneered products, conform with the strictest European standards. This means that you can dispose of the furniture practically without polluting nature when the furniture eventually reaches the end of its life cycle.

UK:

The table consists of two parcels - 1. Table top & 2. Base with leaves.

These two parcels are numbered, and it is very important that the table top and the base have the same number.

The number is written on the packing and we kindly ask you to check the number at the unpacking.



1

UK:

The folding leaves stored in the base are protected by a polystyrene foam triangle. In order to ensure the best possible protection of the leaves, this triangle must not be removed until after mounting the table top.

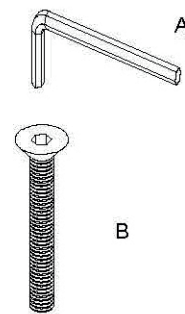
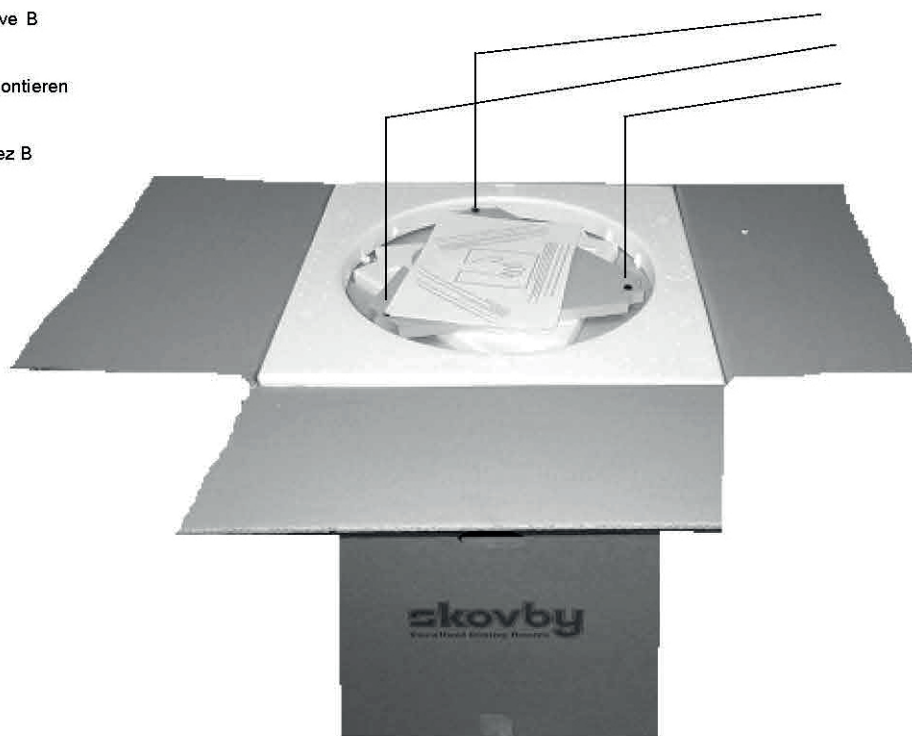
2

DK:
Afmonter B

UK:
Remove B

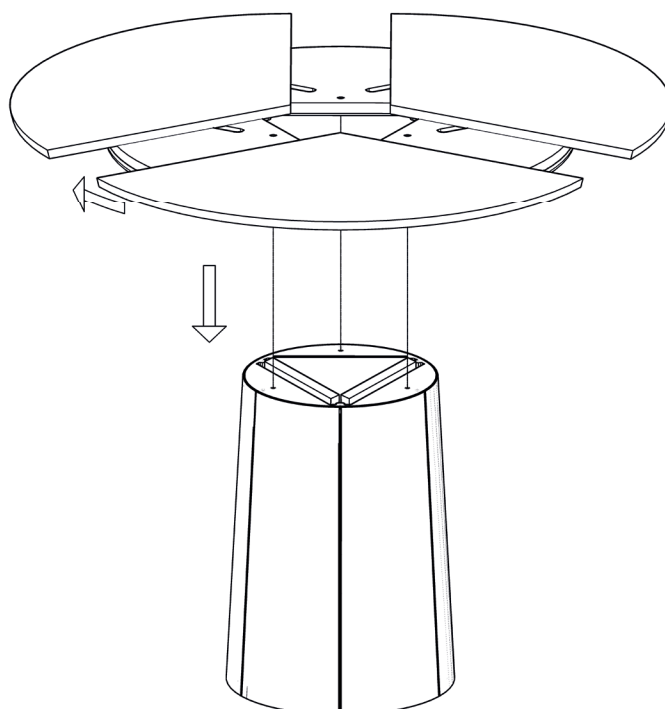
DE:
B abmontieren

FR:
Enlevez B



3

UK:
The table top must now be opened partly before being lifted on top of the base.

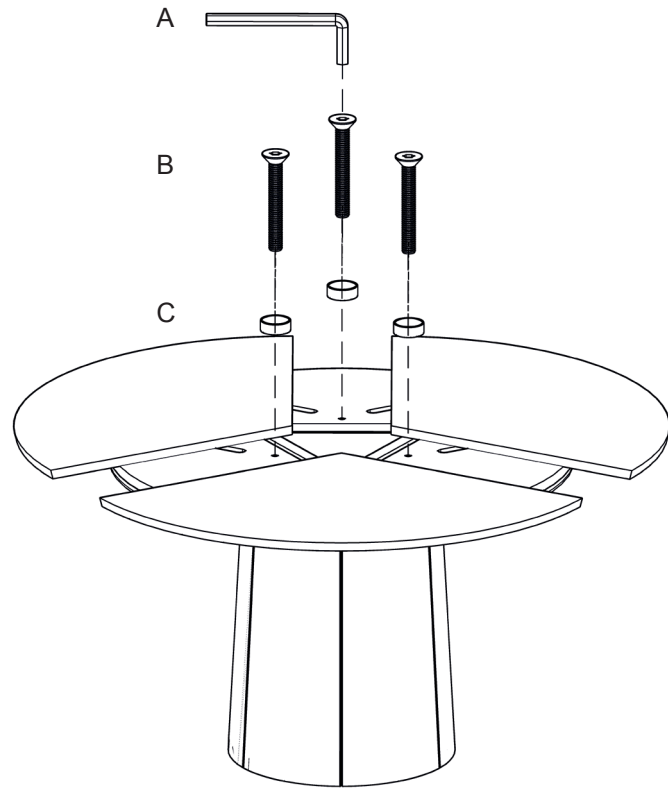


4

UK:

Now open the top entirely and fasten it by means of the included screws and tools.

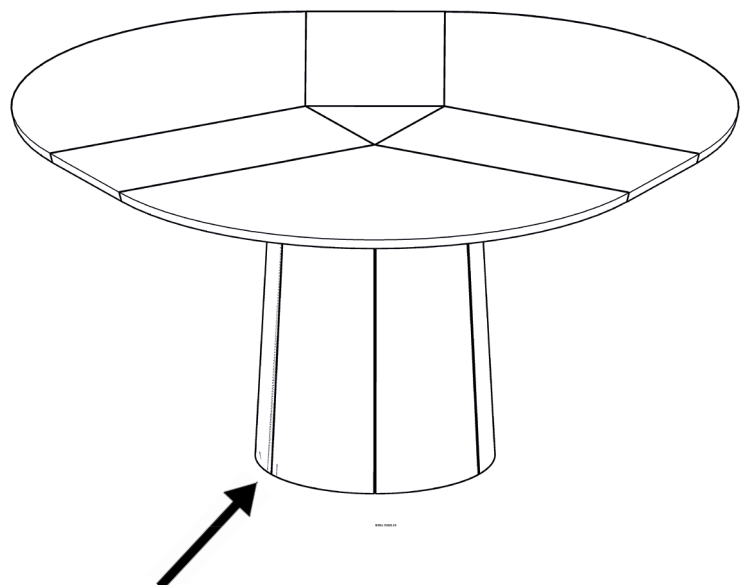
Then remove the polystyrene triangle -and the table is ready for use



5

UK:

The table is ready for use.



6 adjustable feet

6

UK:
The table must never be lifted
when extended!
DE:



UK:
Only lift table in closed position

