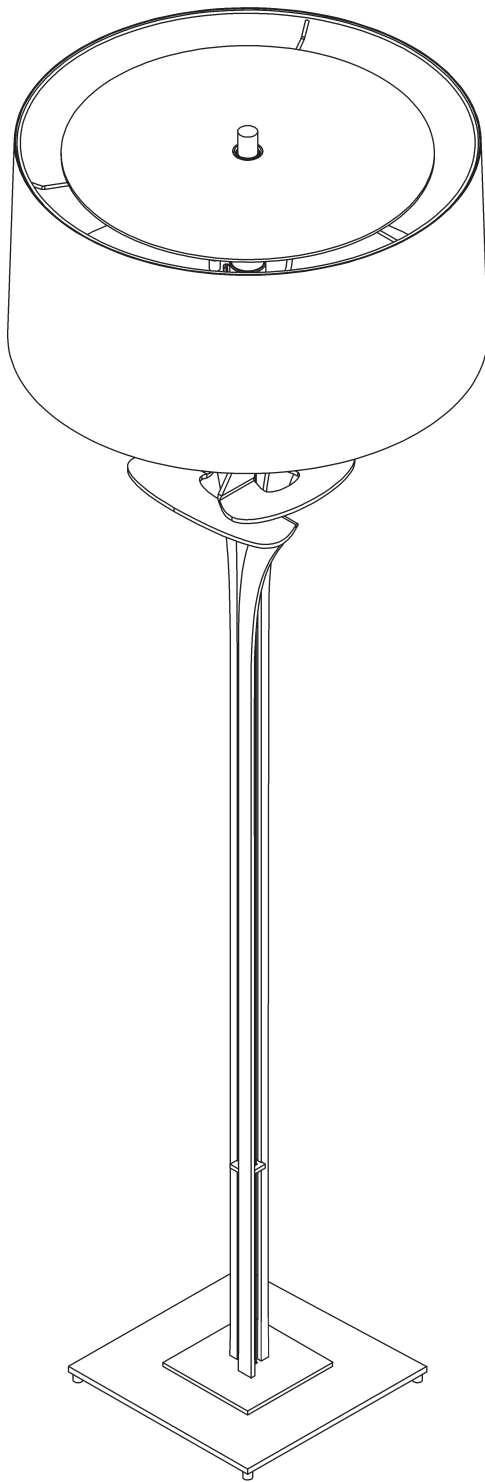


ASSEMBLY & INSTALLATION INSTRUCTIONS

C22

232810 & 272800 Antasia Portables



232810



272800



HUBBARDTON FORGE.

MODERN AMERICAN BLACKSMITHS | FINE, HAND CRAFTED LIGHTING
CASTLETON, VERMONT USA | HUBBARDTONFORGE.COM

19917 Rev A

1 OF 3

Component Parts

- A** **Finial**
- B** **Washer**
- C** **Diffuser**
- D** **Shade**
- E** **Harp**
- F** **Socket Knob**
- G** **Harp Holder**
- H** **Socket**
- I** **Locks (2)**



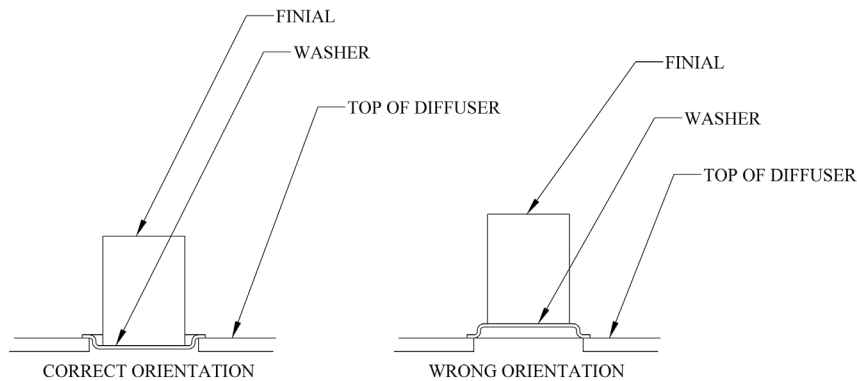
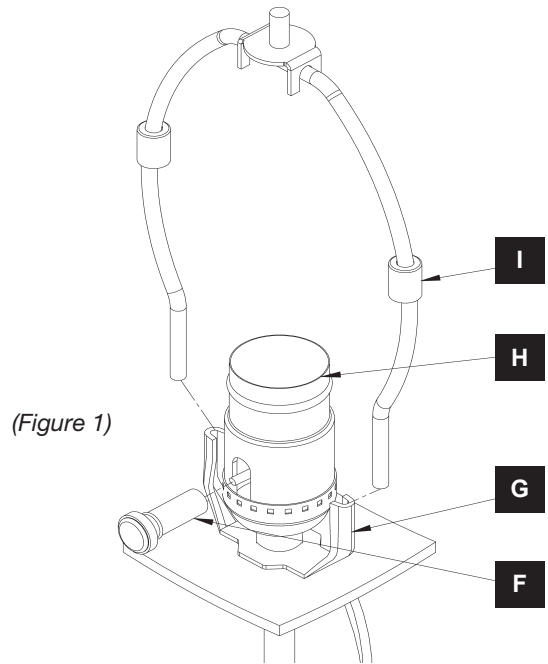
232810 & 272800 Antasia Portables

CAUTION: FAILURE TO INSTALL THIS FIXTURE PROPERLY MAY RESULT IN SERIOUS PERSONAL INJURY OR DEATH AND PROPERTY DAMAGE. We recommend installation by a licensed electrician. This product must be installed in accordance with applicable installation code(s), by a person familiar with the construction and operation of the product and the hazards involved.*

Caution: Do not exceed maximum wattage noted on fixture. Use only recommended bulbs with fixture.

Install Shade & Diffuser (Figures 1 - 3)

- Carefully unpack the fixture from the carton.
- Install socket knob (F) onto socket (Figure 1).
- Remove finial (A) from harp (E) and save for later use. Finial is shipped installed on harp.
- Squeeze harp (E) together while holding the locks (I) up towards the top of the harp (E) and slip into harp holder (G) (Figure 1).
- Allow locks (I) to slip down harp (E) and onto harp holder (G) to secure harp in place.
- Install bulb. "C" version bulb is included.
- Slip shade (D), diffuser (C) and washer (B) onto threaded stud on top of harp (E). See Figure 3 for washer orientation.
- Thread finial (A) onto threaded stud on harp (E) and tighten until snug. Be careful not to over tighten.



(Figure 3)

