

COSMO™ 5729
CONSOLE



Product Registration

Registering your new BDI product allows us to send you important product updates, service information and helpful hints related to your BDI products. Register today, and you will be entered to win free a BINK table from BDI: www.bdiusa.com/register

bdiusa.com
customerservice@bdiusa.com

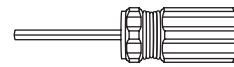
Placement and Maintenance

Your Cosmo Console is designed for indoor use on level floors. Clean wood, metal, and porcelain surfaces with a damp cloth.

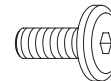
Cosmo is engineered for easy assembly. Carefully follow this procedure to prevent any damage. Do not use power tools for assembly of this product.

Step 1

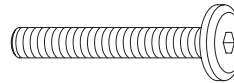
Unpack and identify the parts listed below. The assembly workspace should be a non-marring surface such as carpet. For missing hardware pieces, contact BDI Customer Service at: customerservice@bdiusa.com. For all other concerns, please contact your BDI retailer.



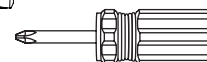
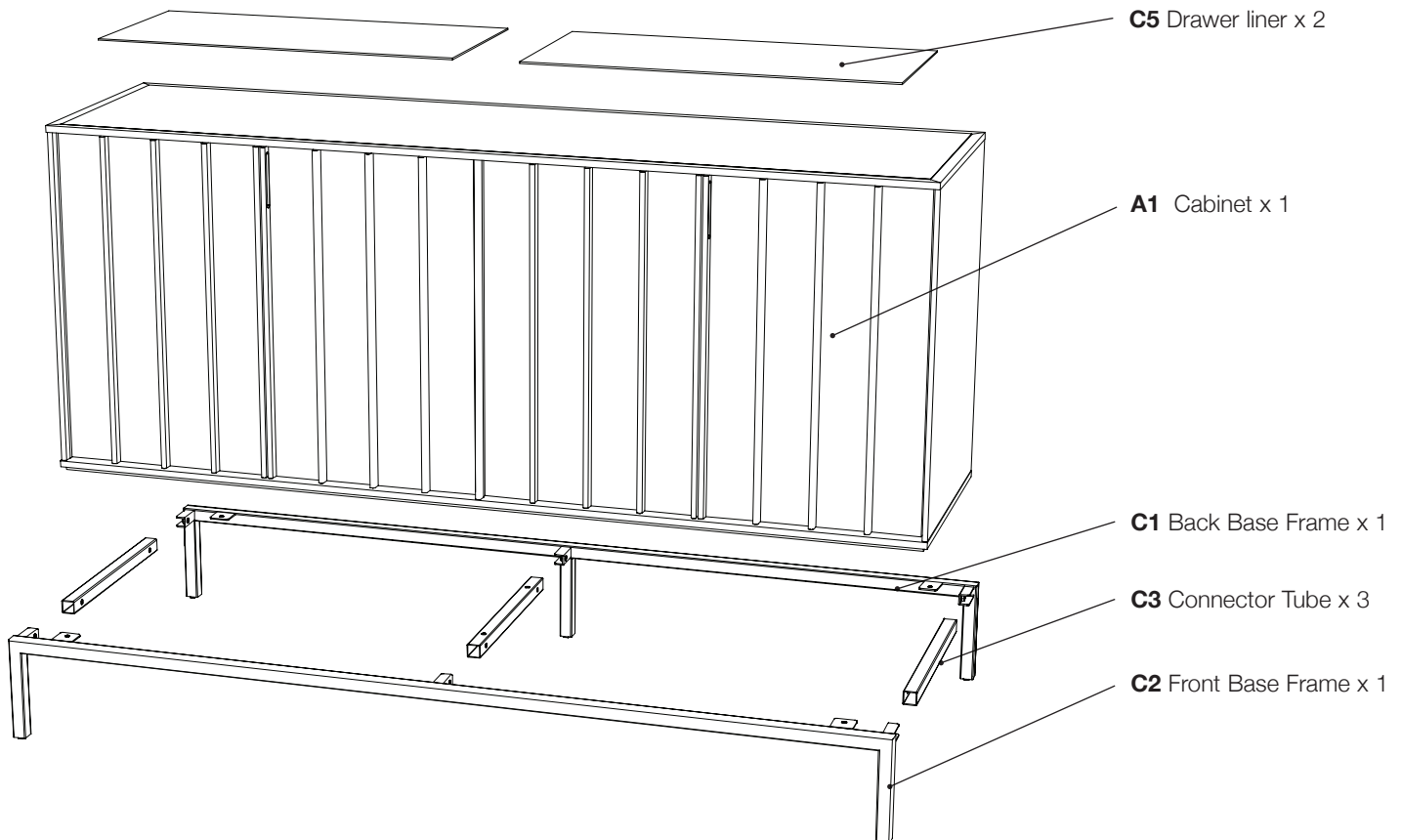
Tool Provided:
T1 Hex Driver x 1



H1 M6 x 12mm
Screw x 10



H2 M6 x 35mm
Screw x 2



Tool Required:
Phillips Driver x 1

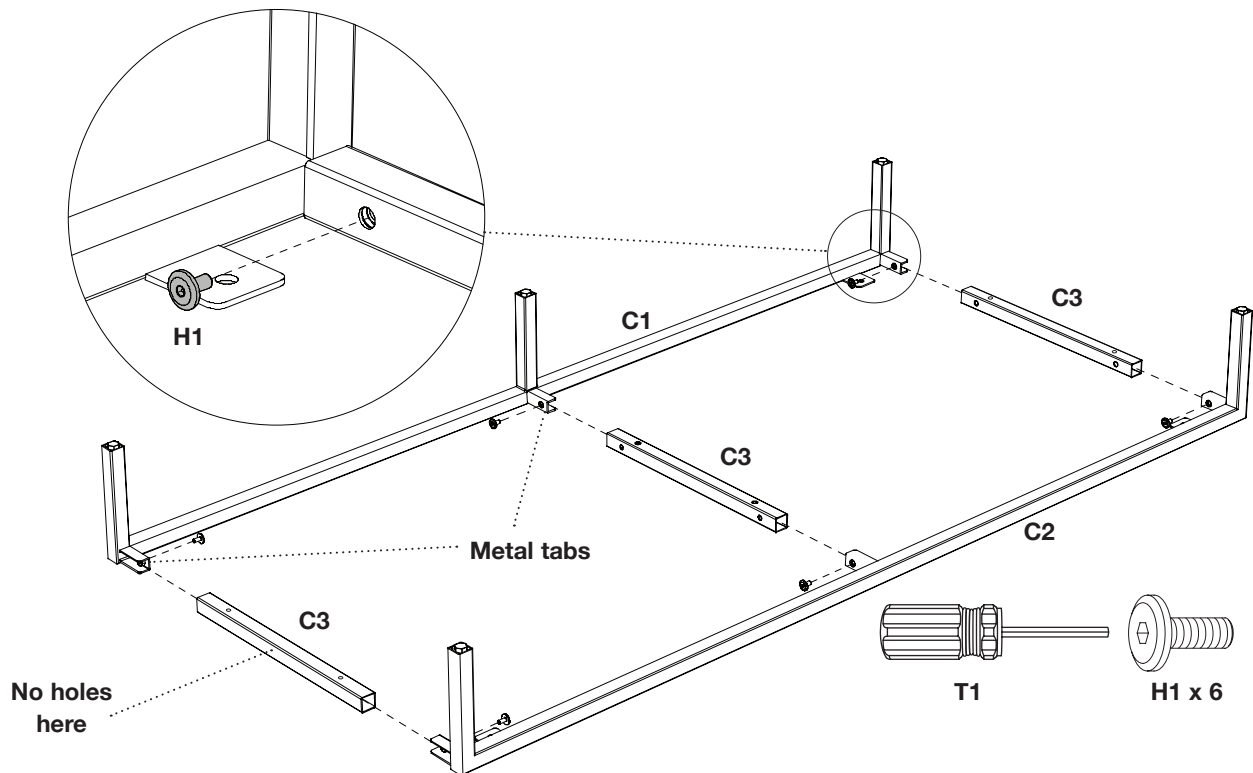
Designed by Matthew Weatherly.

These distinctive product configurations are protected by US and international patents, trade dress, and/or copyright laws. Cosmo & BDI are trademarks of Becker Designed, Inc. All rights reserved.

©2019, BDI Made in China. 07.15.2019

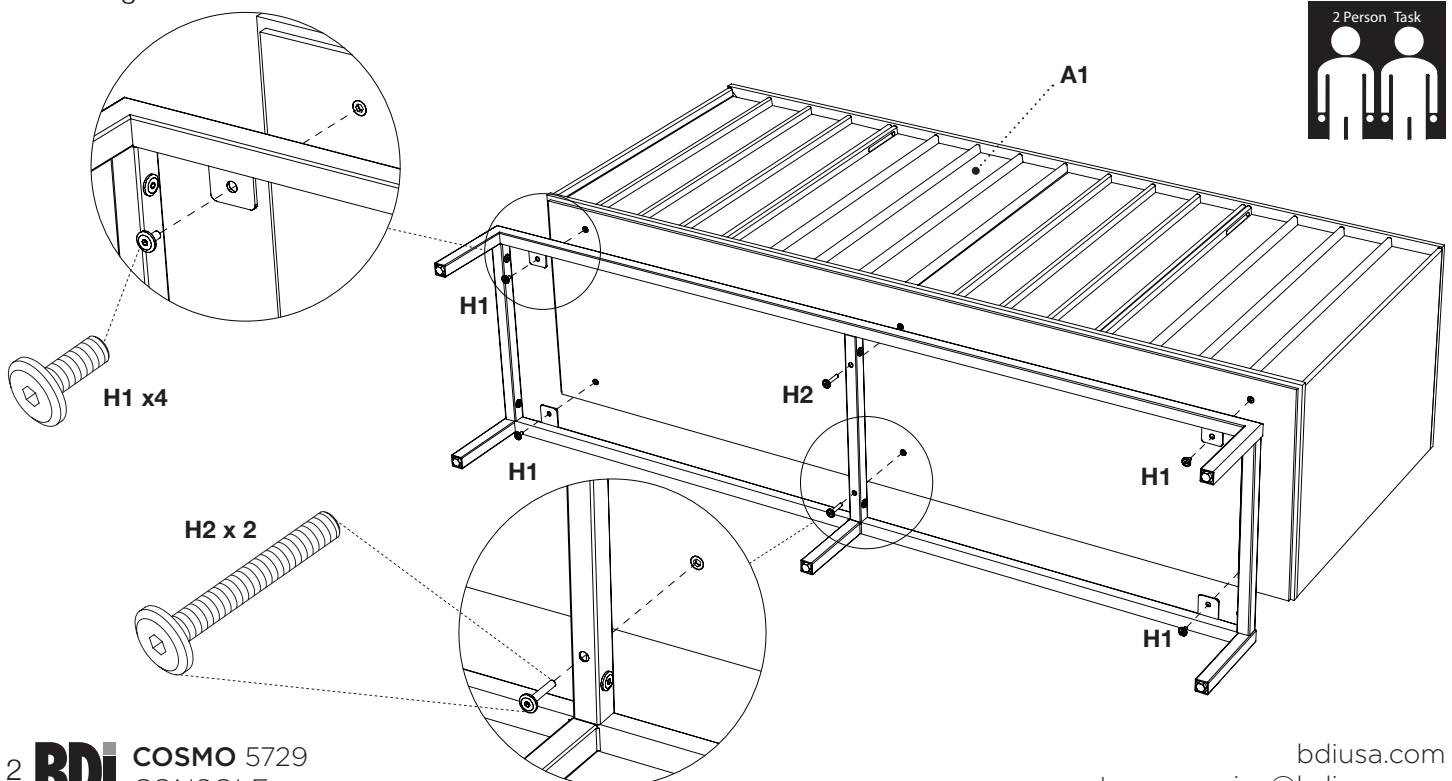
Step 2 - Base Assembly

Position the **front and back base frames C1 and C2** as shown. Position **the connector tubes C3** as shown (no holes should be visible on the outside ends). Slide the metal tabs into the ends of the connector tubes. Attach base frames to connector tubes using **6 screws H1**. Tighten with **hex driver T1**.



Step 3 - Base Attachment

Make sure the packing material bracing the 2 inner shelves is still in place before rotating the cabinet. With help from another person, **carefully** position **cabinet A1** on its back. Attach the base as shown using **4 screws H1** (at the corners) and **2 screws H2** through the **middle connector tube**. Tighten all screws using **hex driver T1**.



Step 4 Drawer liner Installation

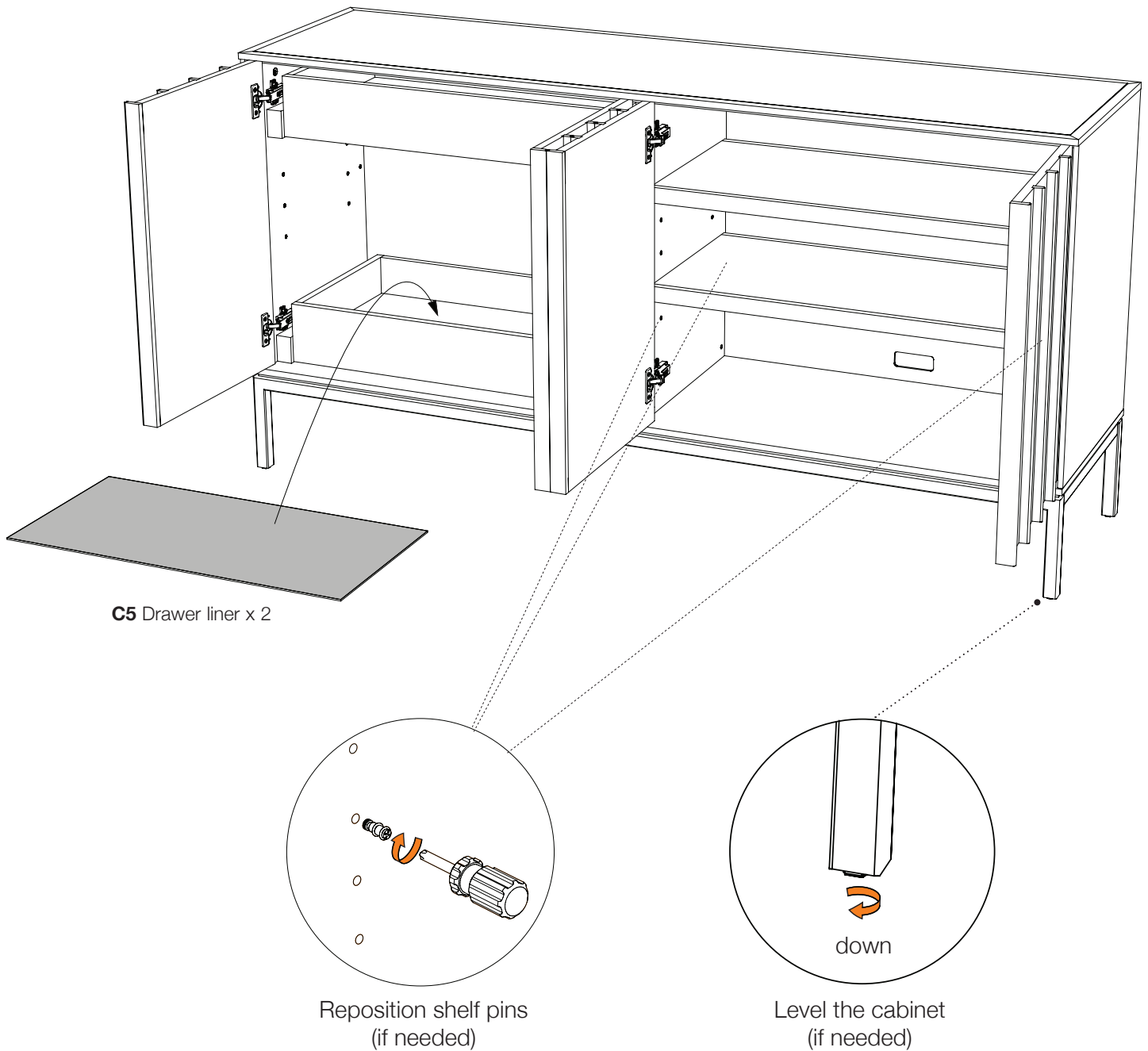
Place **one drawer liner C5** into each drawer.

Step 5 Cabinet Leveling

Check to make sure your Cosmo Console is level. Levelers are located underneath each leg and can be dialed up or down to level the unit if necessary (see below).

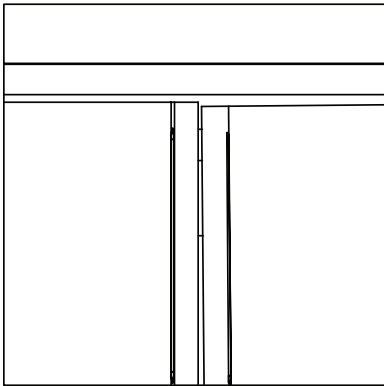
Step 6 Shelf Positioning

The shelves may be positioned at any of the available locations corresponding with threaded inserts inside the cabinet by moving the **shelf pins**. Use a **Phillips driver** to loosen, reposition, and re-tighten the **shelf pins**.

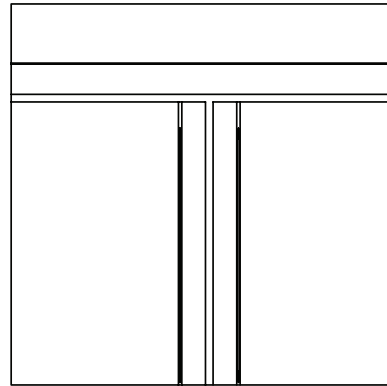


Fine tuning your new BDI Cosmo Console

These steps are to be followed after you have unpacked and completed the simple assembly instructions for your Cosmo Console. Due to jostling in freight or perhaps an uneven floor, the doors on your Cosmo console may not appear to be in perfect alignment. Making a few minor adjustments can rectify this situation. Be aware that depending on your situation, patience and a bit of trial and error are required. The high-quality European hinge hardware is infinitely adjustable, but changing one element can cause the need for further adjustments. Through a little adjustment, you can modify the orientation of the cabinet doors to make sure that they are sitting perfectly.



INCORRECT! Door is out of alignment with the rest of the unit.

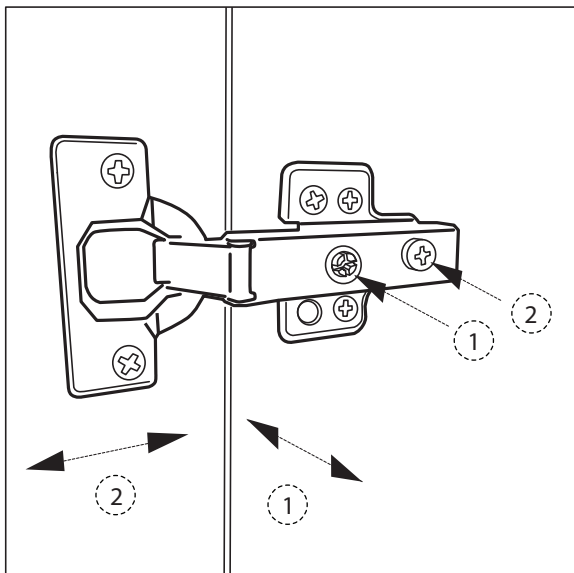


CORRECT! Door is sitting squarely and evenly spaced on tops and sides.

Adjust Door Hinges (if needed)

The doors on your cabinet should be evenly spaced and the doors should open and close freely without rubbing against the door frame.

If the cabinet's doors appear out of alignment, this condition can be corrected with minor adjustment to the European hinges on each door.



Because these hinges are infinitely adjustable, adjusting one hinge element can sometimes cause the need for adjustments to other elements. But with a few adjustments, you can modify the orientation of the cabinet doors to make sure that they hang perfectly within your cabinet.

Use a **Phillips Screwdriver** to adjust Corridor's door hinges:

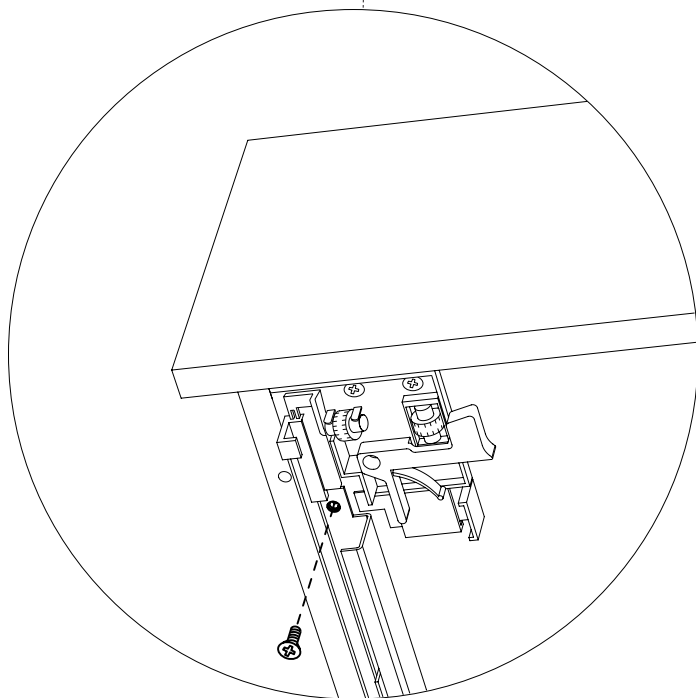
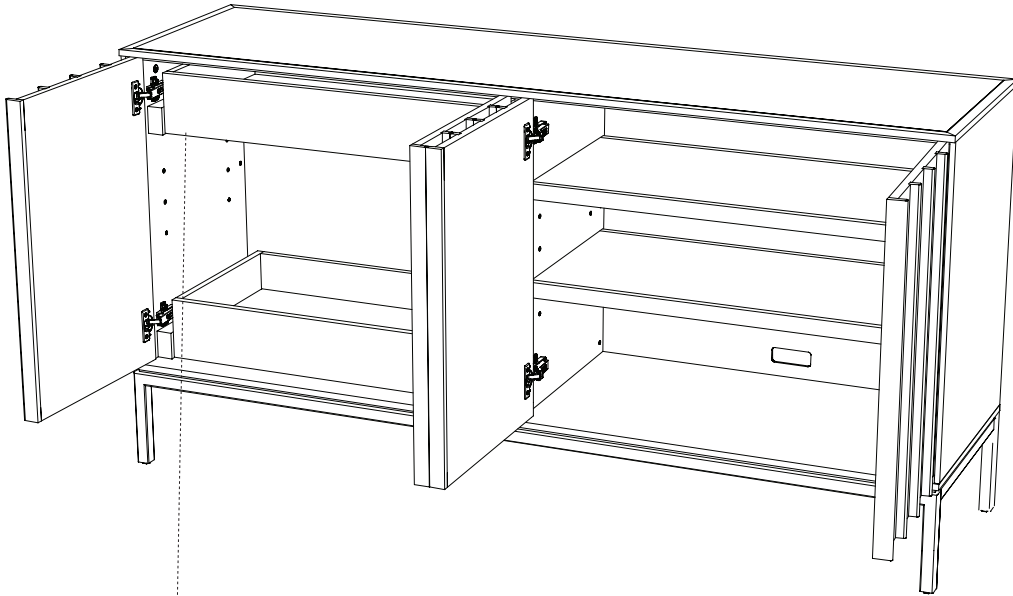
- By adjusting **Screw 1**, the door will move LEFT or RIGHT within the frame. Make minor adjustments at both top and bottom hinges for best results.
- By adjusting **Screw 2** the entire door will move IN or OUT, opening or closing the gap between the door frame and cabinet. (This screw rarely needs adjustment.)

Porcelain Top Removal

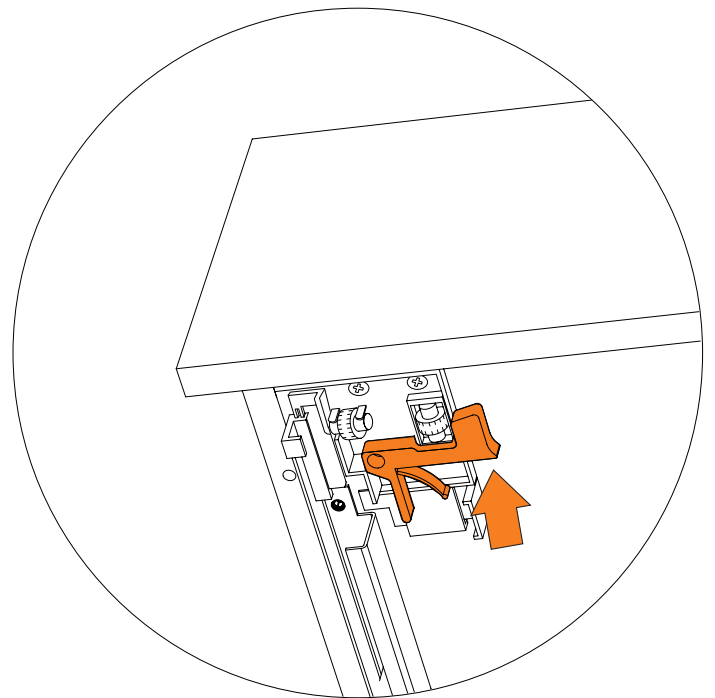
Your Cosmo Console features a durable, heat resistant porcelain top. The top may be cleaned with mild soapy water on a damp cloth. If liquid spills into the seam, the porcelain top may be removed for cleaning purposes, or may be replaced in case of damage.

To remove the porcelain:

- 1) open all 4 doors, partially open the upper left drawer.
- 2) Using a Phillips screwdriver, remove the screw (indicated below) from each front corner of the drawer.
- 3) To remove the drawer, place your fingers under each front corner of the drawer and **pull the orange lever towards** you while lifting upward. **Continue on next page.**



Removing **this** screw allows the drawer to be removed



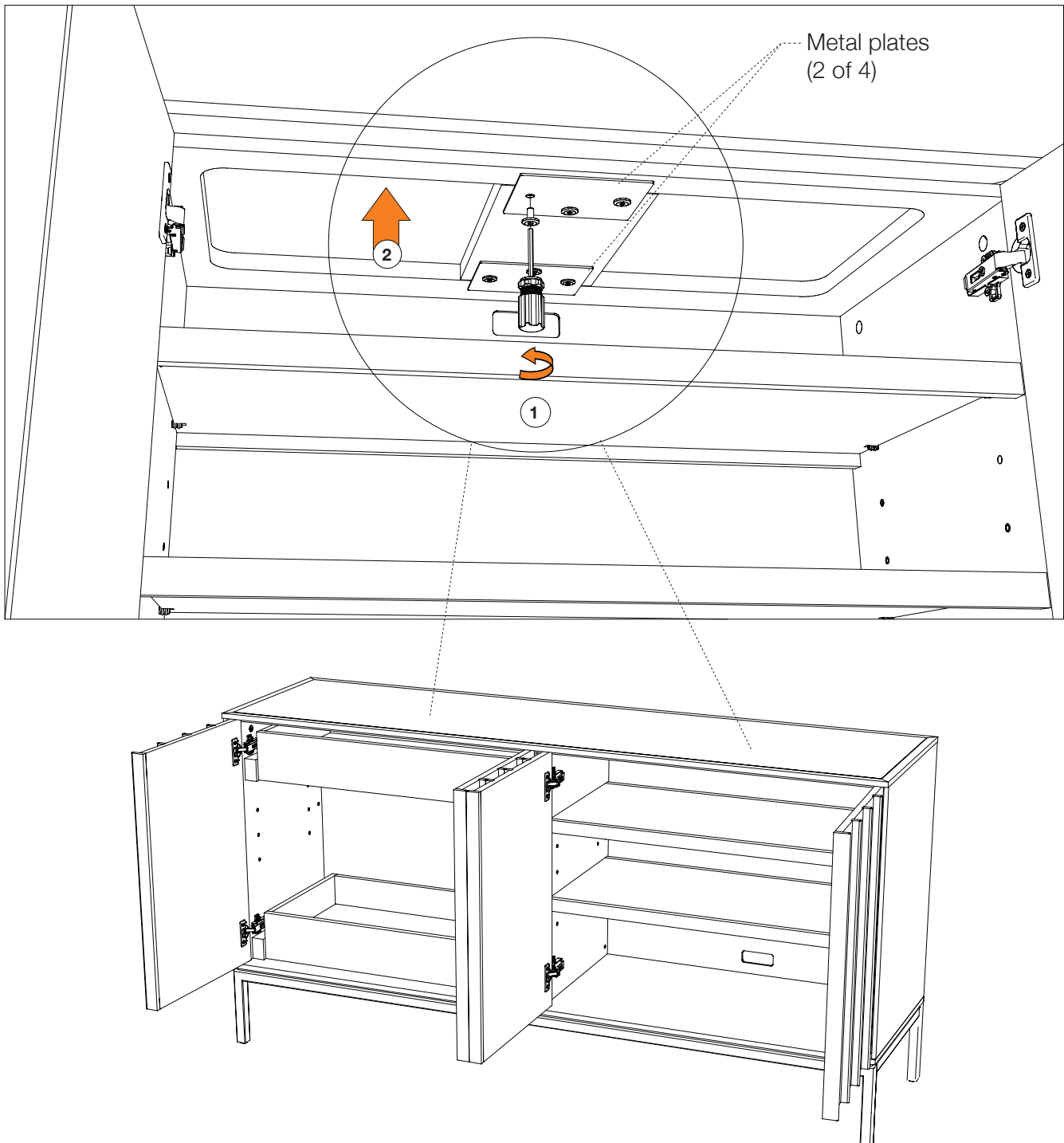
After removing the screw, reach below the front corners of the drawer and pull levers towards you to lift the drawer out

Porcelain Top Removal (cont.)

- 4) locate the **4 metal plates** that connect the porcelain to the cabinet.
- 5) Use **Hex driver T1** to remove all screws holding the metal plates.
- 6) Once all four metal plates are removed, the porcelain top may be lifted out by pushing up from below as shown (**arrow #2**).

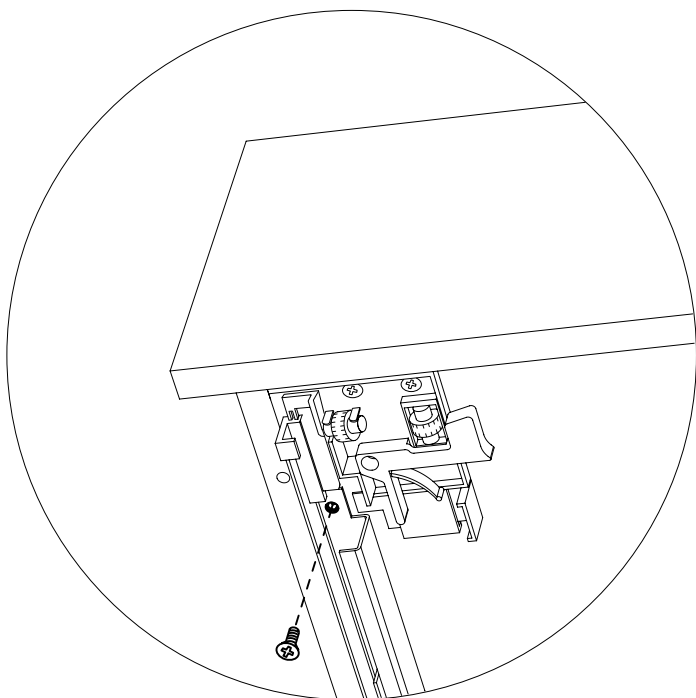
After cleaning, re-insert the porcelain top and re-attach the 4 metal plates.

To **reattach the drawer**, place the drawer directly on top of the metal drawer slides and slowly push the drawer **all the way in** until it "snaps" back on.

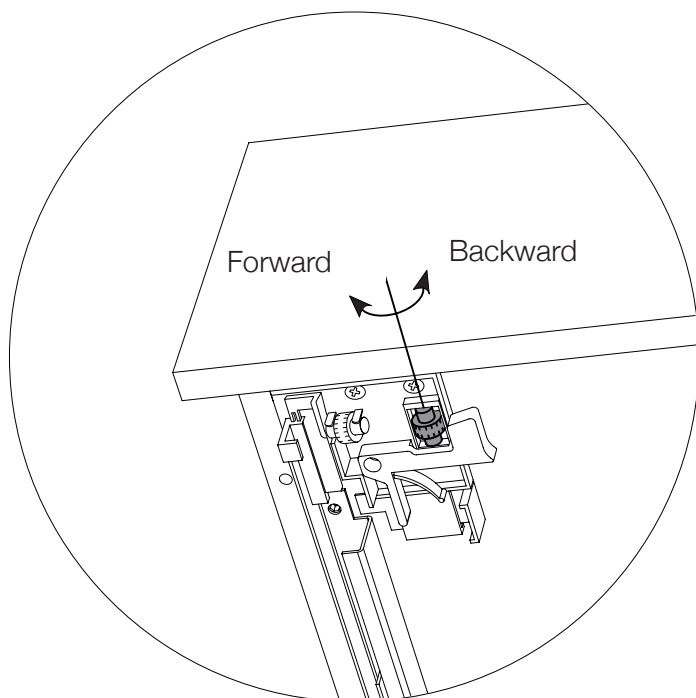


Drawer Adjustment (if needed)

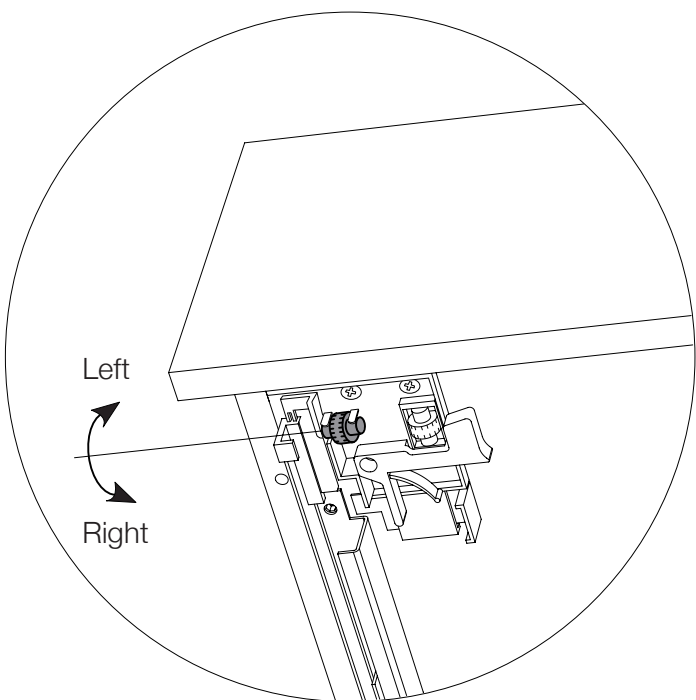
The 2 drawers on your Cosmo Console are adjustable as much as 2mm up, down, left, right, back or forward. If the drawers are out of alignment, follow the steps below:



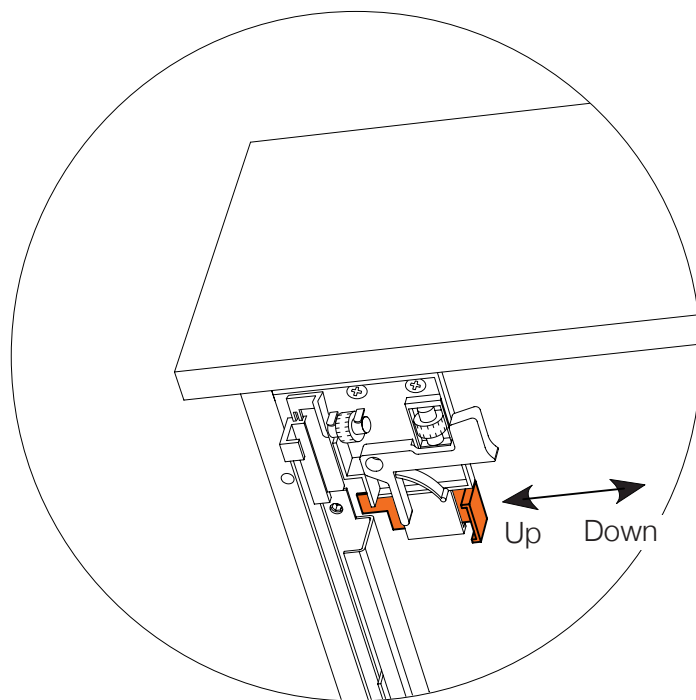
Removing **this** screw allows the drawer to be adjusted (or removed)



1) Rotating the **black** wheel towards the inside of the drawer moves the drawer backward, deeper into the cabinet.



2) Rotating the **white** wheel towards you moves the drawer to the left. Rotating away moves it right.



3) Pushing the **orange** lever towards the outside wedges the drawer up. Pulling it towards the middle of the drawer makes the drawer drop.