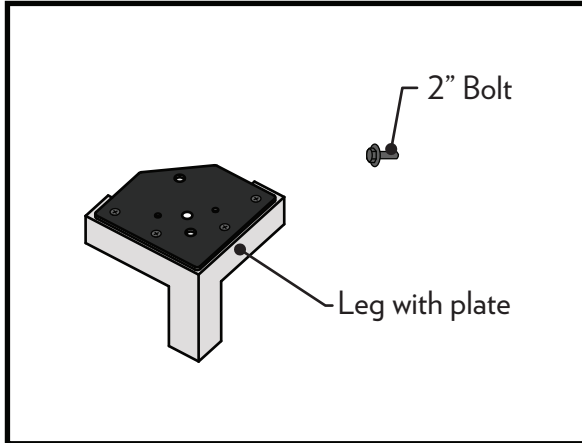
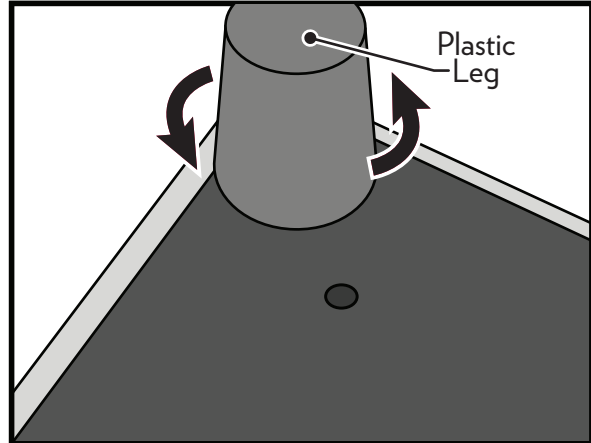


# AMERICAN LEATHER®

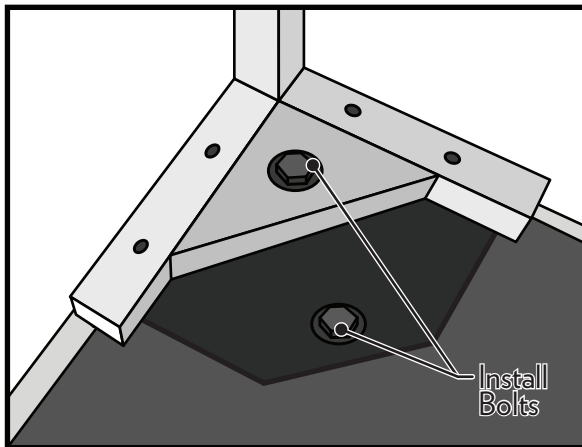
## Bryson Wood Leg Installation Instructions



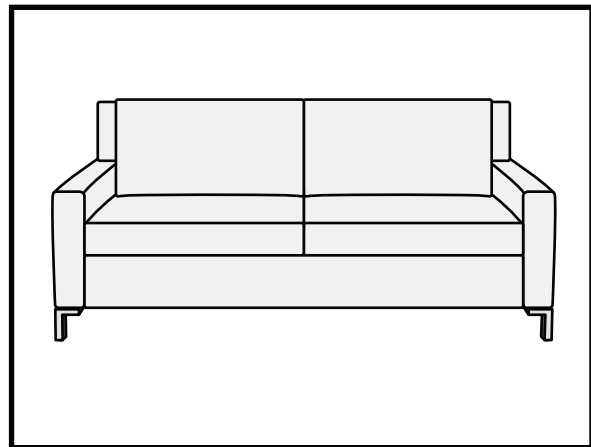
1. To begin, take inventory of included leg hardware. Each leg assembly will include a leg (with a pre-attached metal plate) and two bolts. A sofa with four legs should include a total of (4) legs and (8) 2" bolts.



2. Begin installation by first laying down a soft blanket or other protective material and turning your sofa on the back so that you can access the bottom side of the sofa. Remove the plastic shipping legs by turning them counter-clockwise. You may discard the plastic legs.



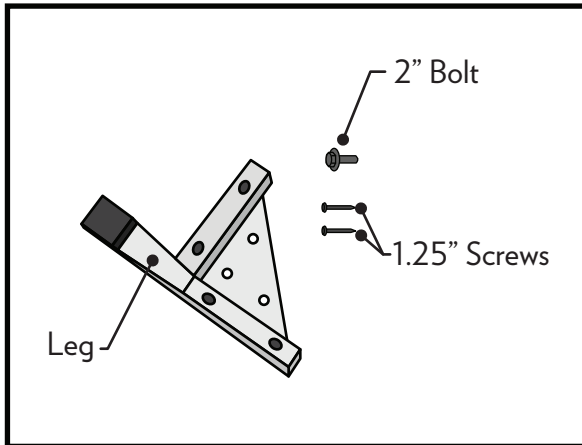
3. Line the leg up with the outside of the arm, and the front of the arm. Install two bolts and tighten completely.



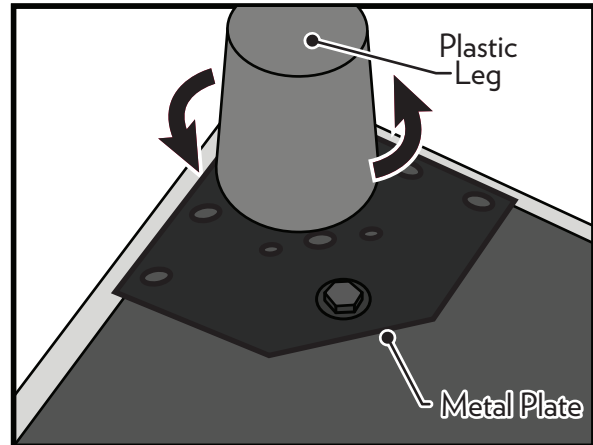
4. Turn your sofa over and make sure all of the legs are straight and secure.

# AMERICAN LEATHER®

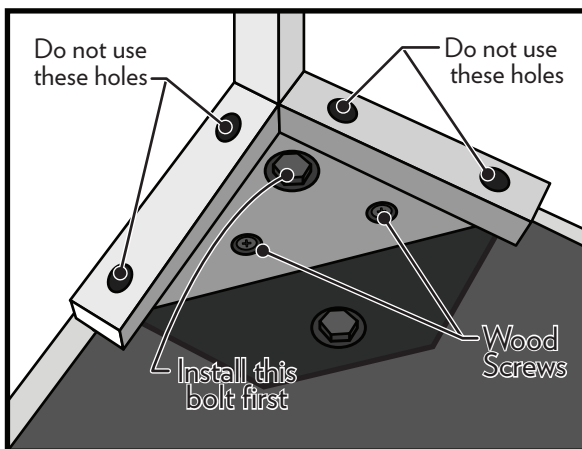
## Bryson Metal Leg Installation Instructions



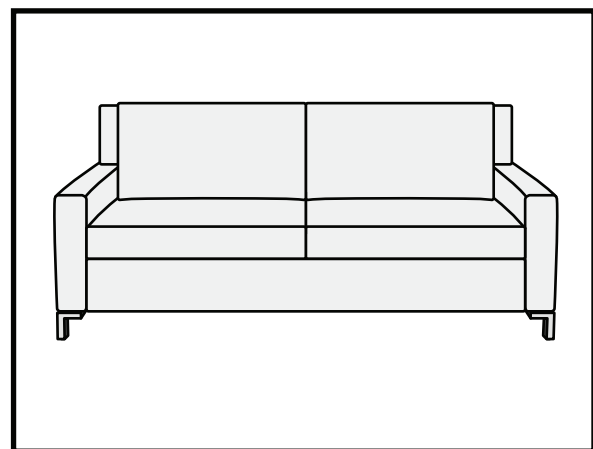
1. To begin, take inventory of included leg hardware. Each leg assembly will include a leg, one bolt, and two screws. A sofa with four legs should include a total of (4) legs, (4) bolts), and (8) wood screws.



2. Begin installation by first laying down a soft blanket or other protective material and turning your sofa on the back so that you can access the bottom side of the sofa. Remove the plastic shipping legs by turning them counter-clockwise. You may discard the plastic legs. *Note: Metal plate will be pre-installed with one bolt.*



3. Line the leg up with the outside of the arm, and the front of the arm. Loosely install one bolt as shown in the figure above. Before tightening the bolt down all of the way, install two wood screws. Finally, tighten down the bolt completely.



4. Turn your sofa over and make sure all of the legs are straight and secure.