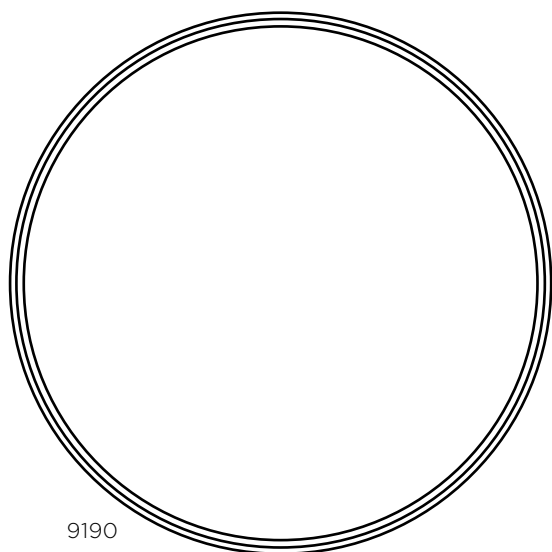


# LINQ<sup>®</sup> 9190/9194

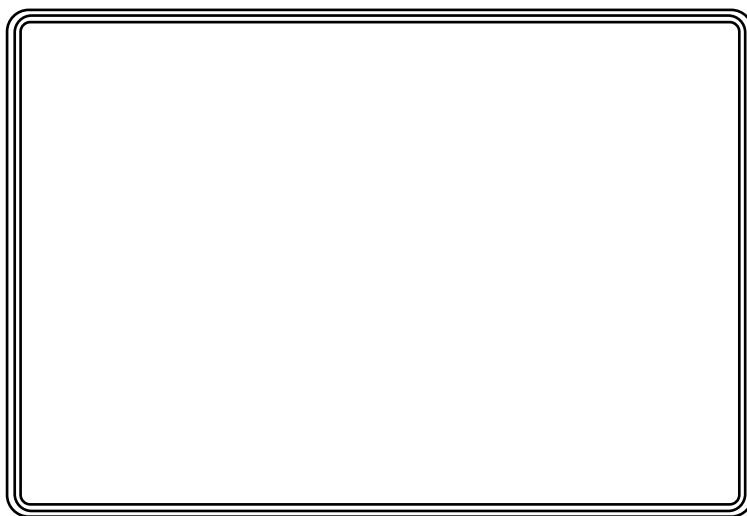
MIRRORS

## INSTRUCTION MANUAL

**LET'S GET STARTED.**



9190



9194

DESIGN MATTHEW WEATHERLY

**BDi**

BDIUSA.COM

Congratulations on the purchase of your LINQ Mirror from BDI. Your mirror has been designed to provide a lifetime of enjoyment. This manual will provide assembly instructions and other helpful information to ensure you get the most out of your product. Please save it for future reference.

Your LINQ Mirror has been engineered for simple assembly. Please follow these directions carefully to prevent any damage.

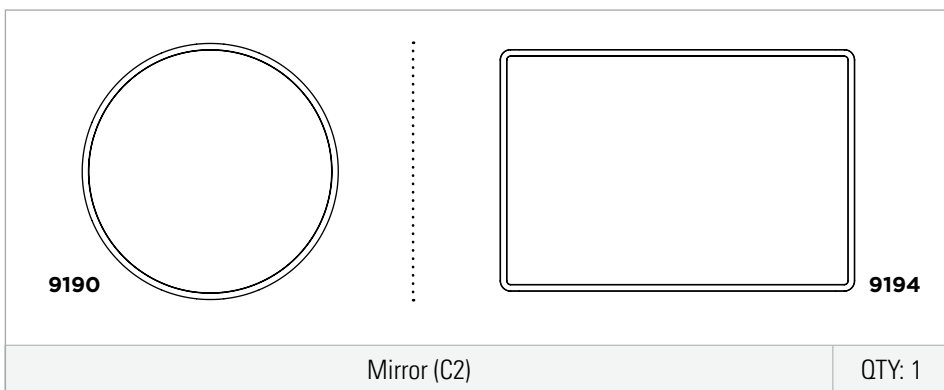
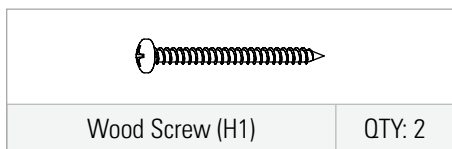
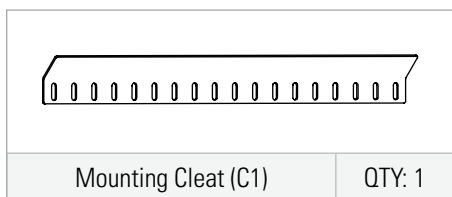
Should you need further assistance, contact BDI at [customerservice@bdiusa.com](mailto:customerservice@bdiusa.com).

# ENJOY!

## HARDWARE AND COMPONENTS

Unpack and identify the parts listed below. The assembly workspace should be a non-marring surface such as carpet. Do not use power tools for assembly of this product.

For missing hardware pieces, please contact BDI Customer Service at [customerservice@bdiusa.com](mailto:customerservice@bdiusa.com). For all other concerns, please contact your BDI retailer.



<b>TOOLS REQUIRED (NOT INCLUDED)</b>	Measuring Tape	Pencil	Bubble Level	Wall Hanging Hardware	Screwdriver
--------------------------------------	----------------	--------	--------------	-----------------------	-------------

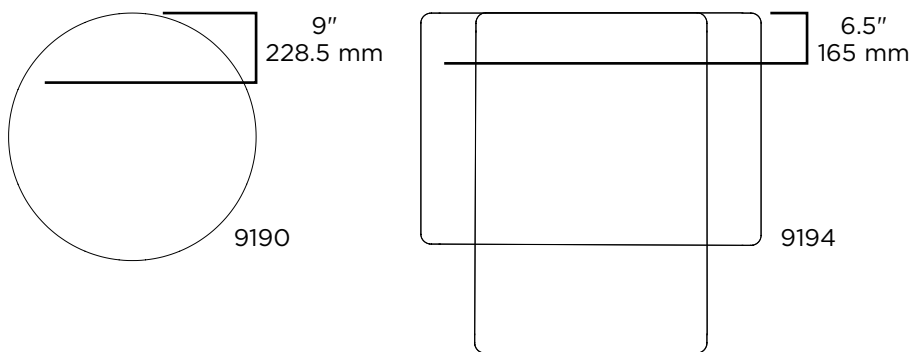
## ASSEMBLY

### STEP 1. PREPARE WALL

Make a mark on your wall at your desired mounting height.

**Note: The Rectangular Mirror's mounting holes are 6.5" (165mm) below the top edge, whether mounted horizontally or vertically.**

**The Round Mirror's mounting holes are 9" (228.5mm) below the top edge. Using a level, draw a horizontal line at this mark.**

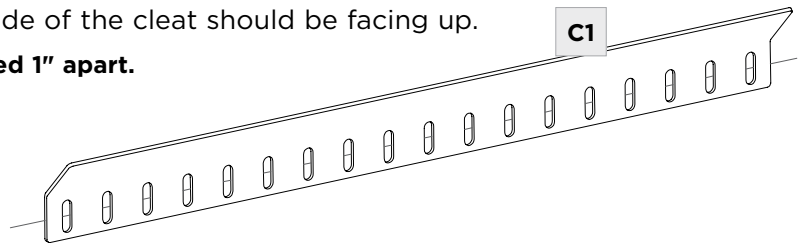


## STEP 2. INSTALL MOUNTING CLEAT

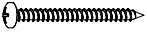
ASSEMBLY

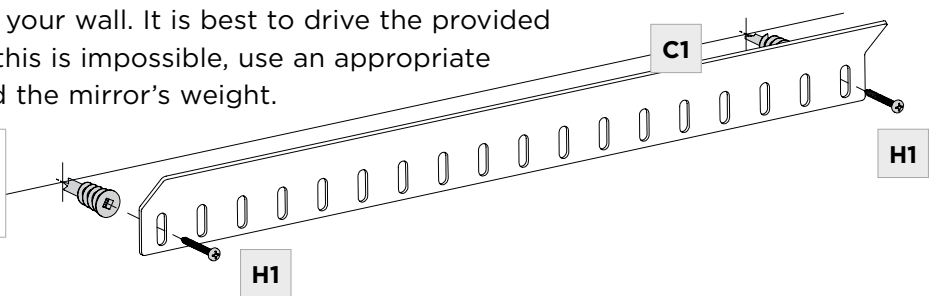
Hold the **Mounting Cleat (C1)** up to the line and use the slots to mark where you should drill your holes. The angled side of the cleat should be facing up.

**NOTE: There are a total of 18 holes, all spaced 1" apart.**



Install the **Mounting Cleat (C1)** to your wall. It is best to drive the provided **Wood Screws (H1)** into a stud. If this is impossible, use an appropriate wall anchor for your wall type and the mirror's weight.

	WOOD SCREW-H1	QTY 2
---	------------------	----------



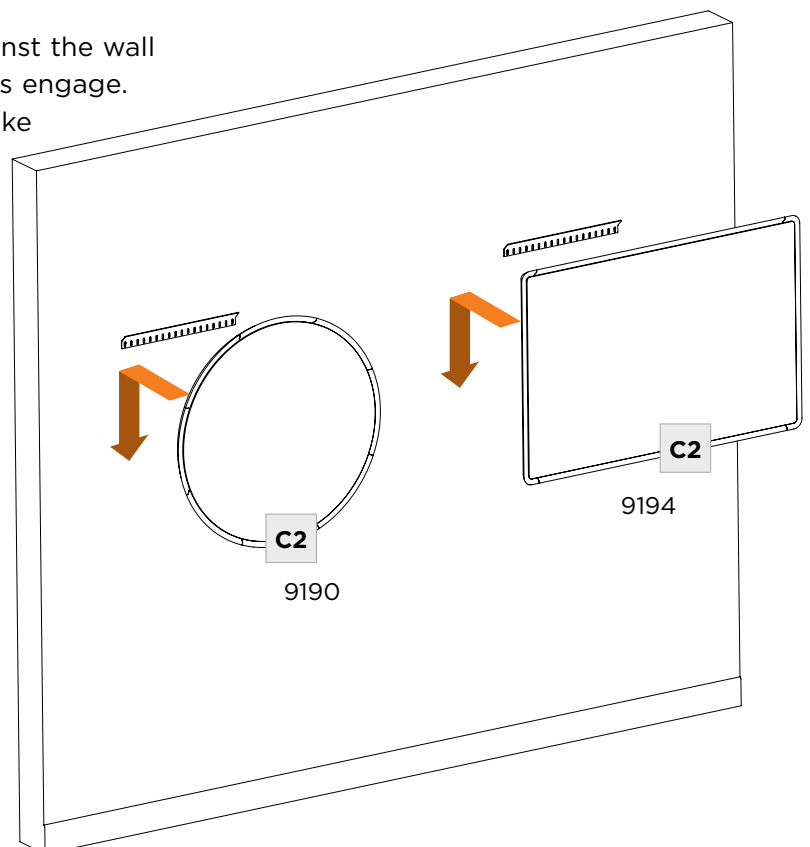
## STEP 3. ATTACH MIRROR ONTO MOUNTING CLEAT

ASSEMBLY

Attach the **Mirror (C2)** by placing it against the wall and slowly sliding it down until the cleats engage.

Once the mirror is mounted, you can make slight position adjustments by sliding it side to side on the cleat.

You can also make level adjustments by adjusting the screw position within the slotted holes of the cleat.



## CARE & MAINTENANCE

Your BDI furniture has been constructed with the finest materials, carefully manufactured, and designed to last a lifetime. Regular furniture care will prolong your enjoyment and keep it looking its best. Here are some general tips for taking care of BDI furniture. Your surfaces may vary.

### GLASS

Glass surfaces are maintained using household glass cleaner and a paper towel or cloth.

### WOOD

Wood surfaces should be cleaned with a slightly damp (not saturated) cloth or paper towel. Do not use glass cleaner on wood. If moisture remains, dry the surface with another cloth. If needed, a gentle, non-abrasive cleanser may be used, but wipe away all cleaner residue and dry the surface with a cloth.

BDI's wood finishes feature natural hardwood solids and veneers. Wood is a product of nature and—unlike man-made materials that can be manufactured to strict and consistent specifications—has natural imperfections that are part of its appeal and character. Every piece of wood differs from every other, even when coming from the very same tree. As such, grain, texture, and tone variation should be expected from one panel or piece of furniture to the next.

While BDI's stained wood finishes are stable in tone & appearance, all finishes are subject to some degree of discoloration with prolonged exposure to direct sunlight. Please avoid positioning your BDI cabinet in any area with ample direct sunlight. To learn more about the features of natural wood, visit [www.bdiusa.com/wood](http://www.bdiusa.com/wood)

### METAL, PORCELAIN, & PAINTED SURFACES

Surfaces should be cleaned with a slightly damp (not saturated) cloth or paper towel. If moisture remains, dry the surface with another cloth. If needed, a gentle, non-abrasive cleanser may be used, but be sure to wipe away all cleaner residue and dry the surface with a cloth.

## WARRANTY

BDI warrants to the original purchaser that for the below-stated warranty term, BDI will repair or replace any product, part, or component covered by this warranty that fails under everyday use due to a defect in material or workmanship. BDI will repair or replace the product mentioned above, part, or component with a comparable product, part, or component. The decision to repair or replace will be at BDI's sole discretion.

BDI furniture is warranted for three (3) years from the date of purchase, as shown on your sales receipt. The warranty period starts from the date of purchase. This warranty extends only to the original purchasers who acquire new products from BDI Authorized Resellers. To be eligible for warranty coverage, any product, part, or component must have been assembled, installed, used, and maintained according to BDI's published instructions. Any modification to the original product voids the warranty.

To view BDI's complete warranty information, visit [www.bdiusa.com/warranty](http://www.bdiusa.com/warranty)

## PRODUCT REGISTRATION

Registering your new BDI product allows us to send you important product updates, service information, and helpful hints related to your BDI products. Register today, and you will be entered to win free a BINK table from BDI: [www.bdiusa.com/register](http://www.bdiusa.com/register)



BDIUSA.COM

These distinctive product configurations are protected by US and international patents, trade dress, and/or copyright laws. LINQ & BDI are trademarks of Becker Designed, Inc. All rights reserved. ©2023, BDI | V.08.10.2023

Made in Turkey.