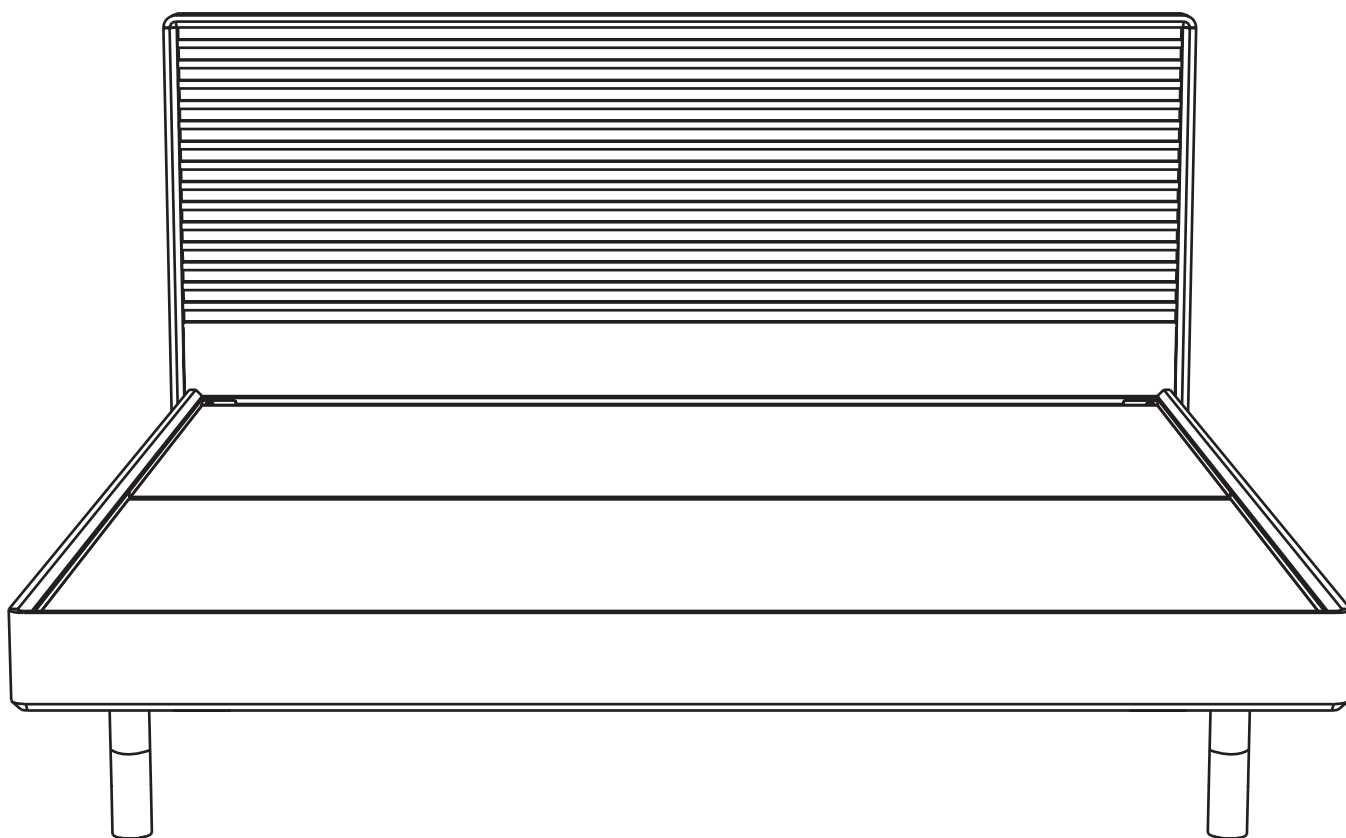


# LINQ™ 9117, 9119, 9127, 9129

BED

## INSTRUCTION MANUAL

**LET'S GET STARTED.**



DESIGNED BY MATTHEW WEATHERLY

**BDi**

BDIUSA.COM



Congratulations on the purchase of your LINQ Bed from BDI. Your bed has been designed to provide a lifetime of enjoyment. This manual will provide assembly instructions and other helpful information to ensure you get the most out of your product. Please save it for future reference.

Your LINQ Bed has been engineered for simple assembly. Please follow these directions carefully to prevent any damage.

Should you need further assistance, contact BDI at [customerservice@bdiusa.com](mailto:customerservice@bdiusa.com).

ENJOY!

Scan to watch the LINQ assembly video.

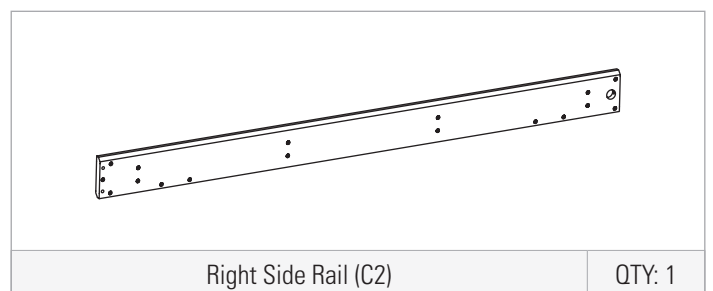
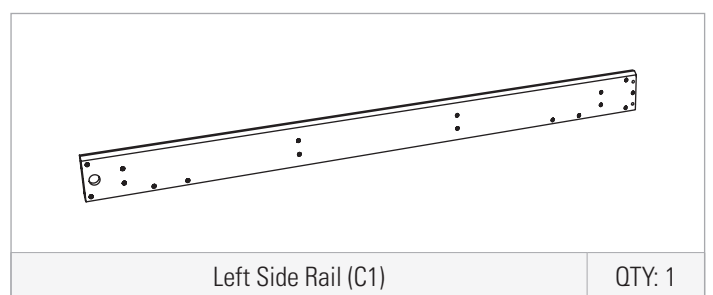
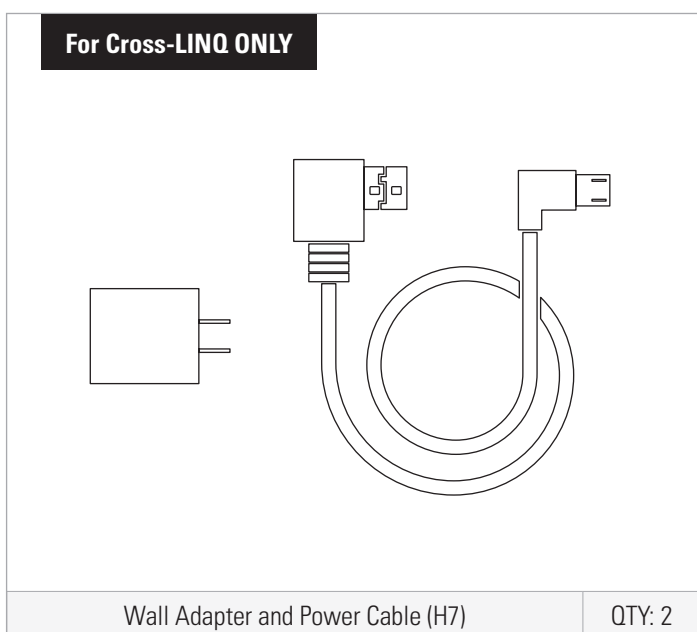
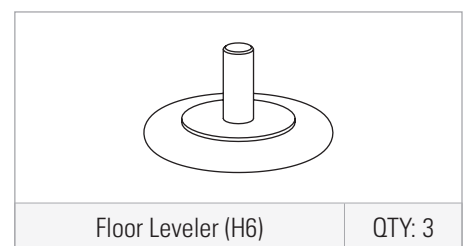
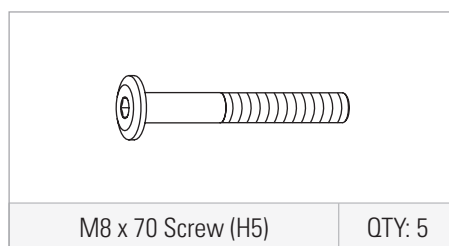
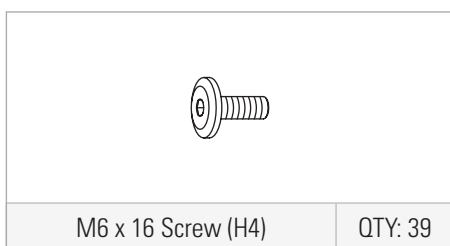
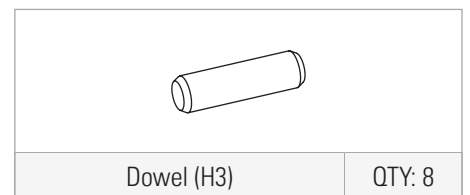
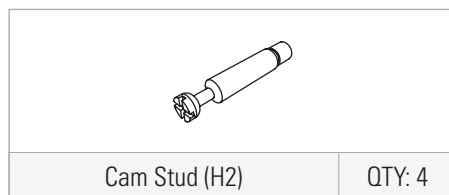
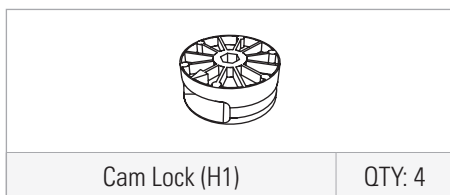
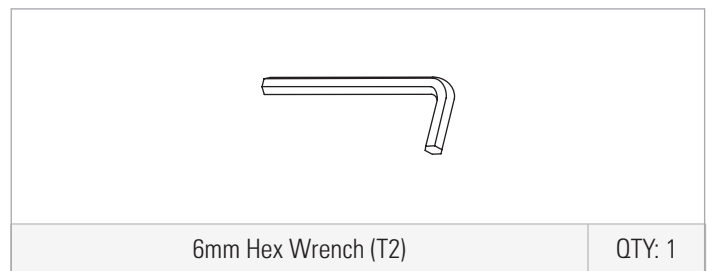
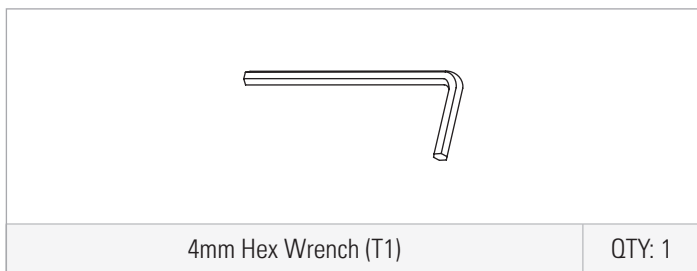


[bdiusa.com/linq-assembly](https://bdiusa.com/linq-assembly)

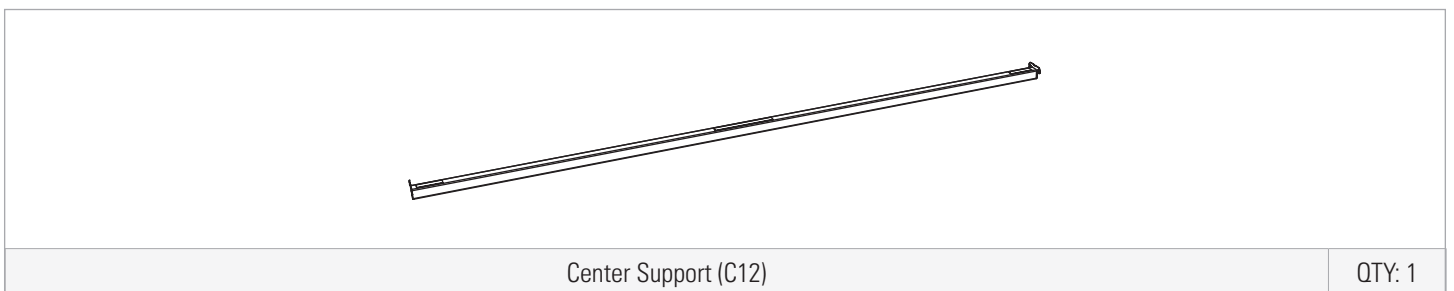
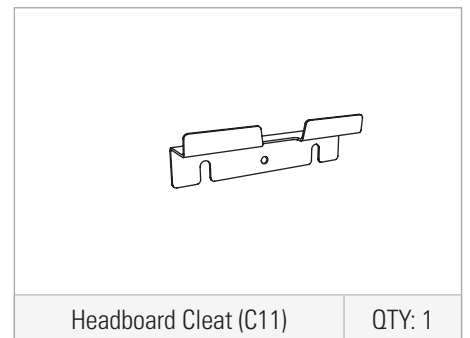
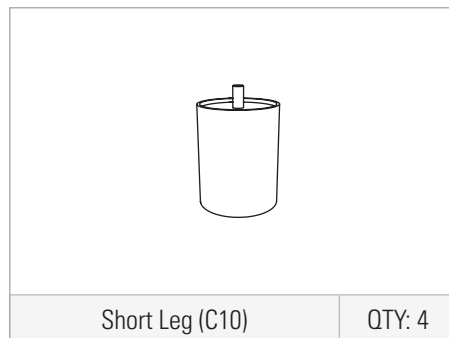
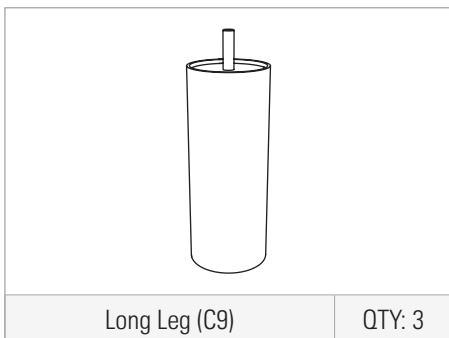
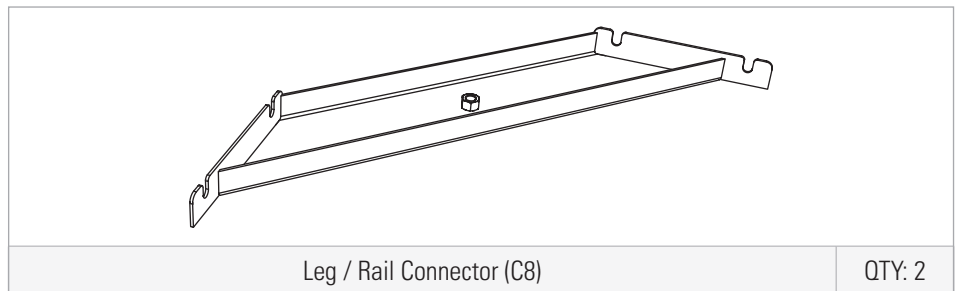
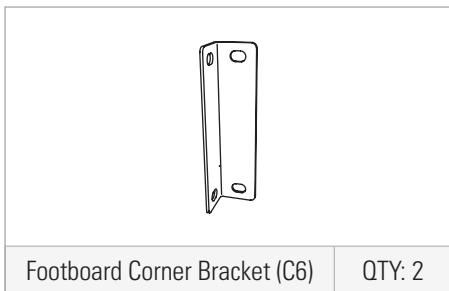
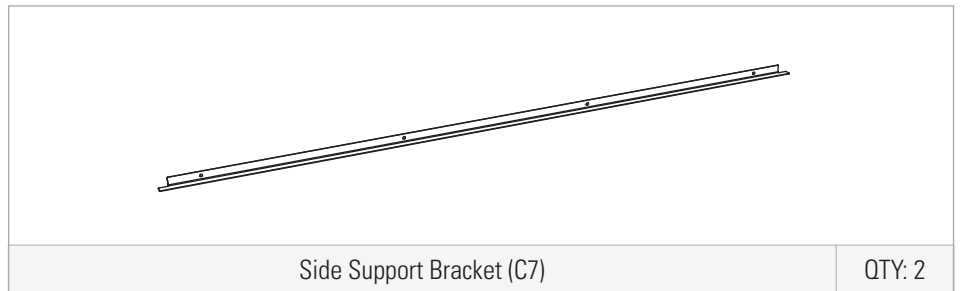
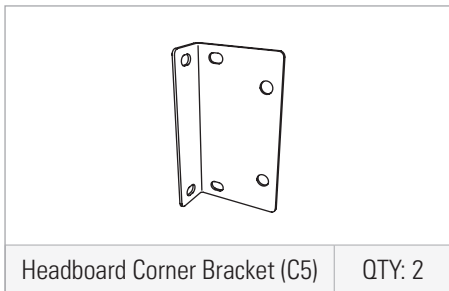
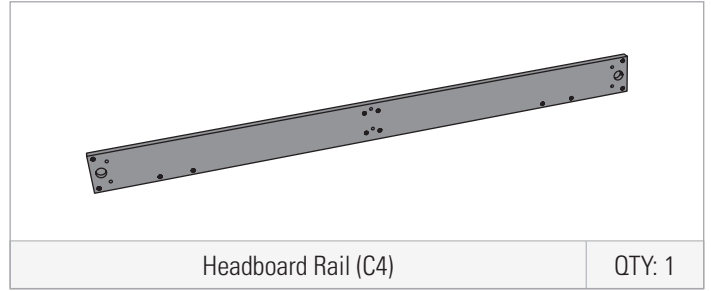
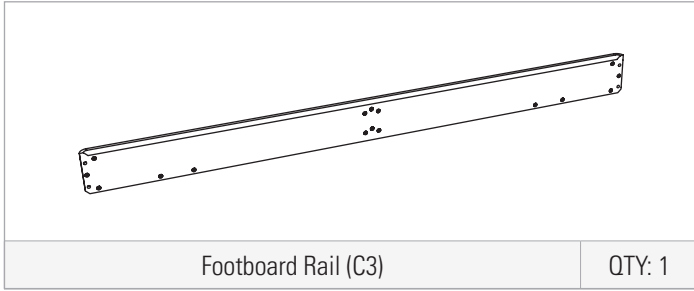
## HARDWARE AND COMPONENTS

Unpack and identify the parts listed below. The assembly workspace should be a non-marring surface, such as carpet. For missing hardware pieces, please contact BDI Customer Service at [customerservice@bdiusa.com](mailto:customerservice@bdiusa.com). For all other concerns, please contact your BDI retailer.

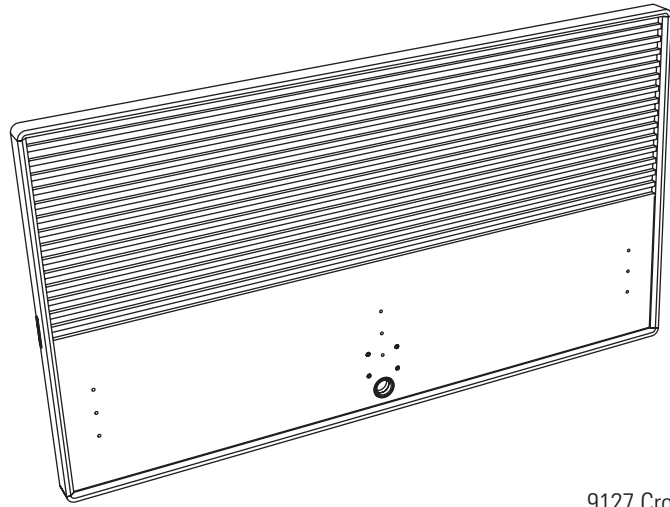
Do not use power tools for the assembly of this product.



# HARDWARE AND COMPONENTS



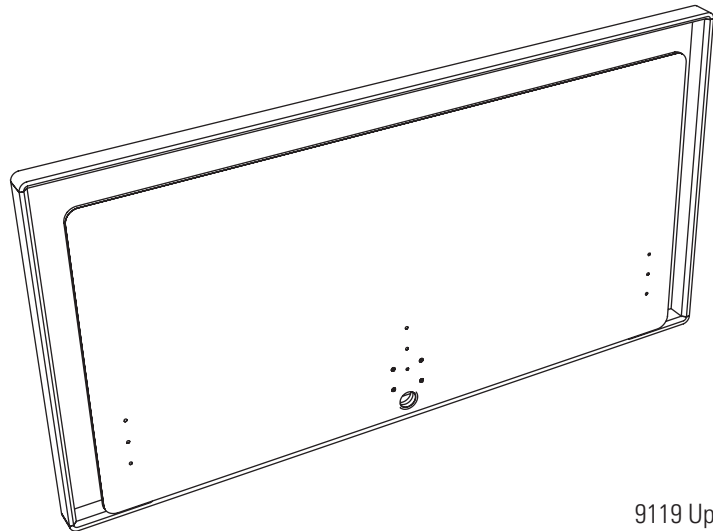
## HARDWARE AND COMPONENTS



Headboard (C13)

QTY: 1

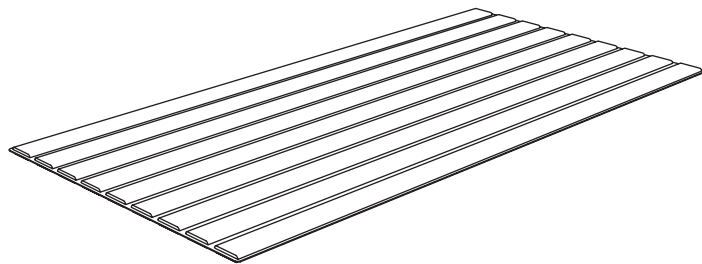
9127 Cross-LINQ shown



Headboard (C13)

QTY: 1

9119 Up-LINQ shown



Bed Slats (C14)

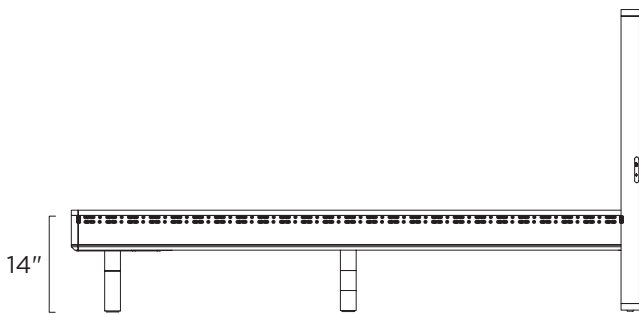
QTY: 2

## LINQ BED SET-UP CONFIGURATIONS

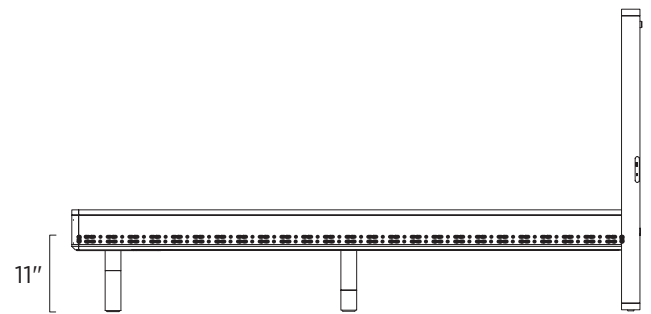
LINQ's adjustable platform and frame allow the bed to accommodate a variety of mattresses, positioning the top of the mattress at the user's preferred height. The bed can accommodate mattresses from 8"-16", with the recommended height for the top of the mattress being around 24" from the floor.

To determine your ideal bed setup, measure the height of your mattress and subtract that number from 24". Take the result, and refer to the chart below to find the height that best matches.

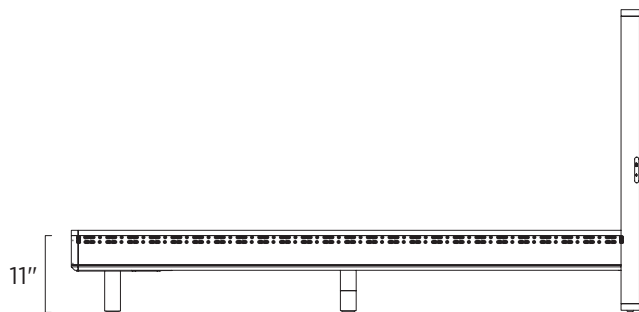
**If you are setting up an adjustable bed, refer to the information on page 19 for additional guidance.**



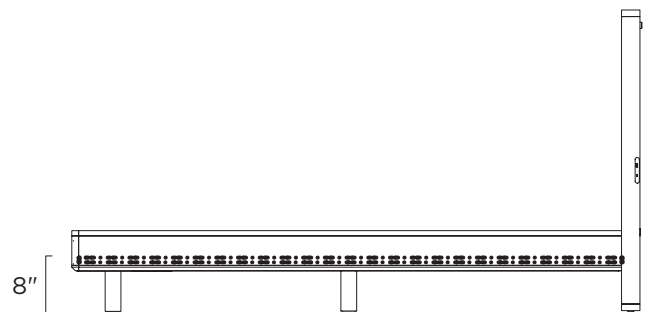
Platform Position	High
Frame Position	High
Platform Height	14"   36 cm
Mattress Size	8-10"



Platform Position	Low
Frame Position	High
Platform Height	11"   28 cm
Mattress Size	12"

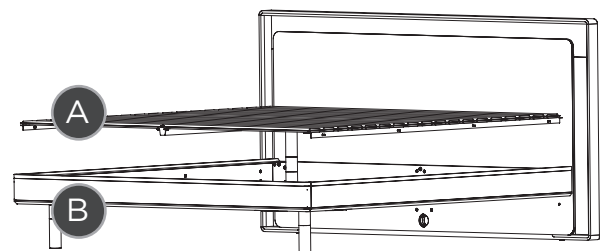


Platform Position	High
Frame Position	Low
Platform Height	11"   28 cm
Mattress Size	12"

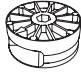
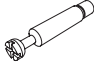



Platform Position	Low
Frame Position	Low
Platform Height	8"   21 cm
Mattress Size	14-16" Mattress

- A PLATFORM:** The inner bed support system, which includes the side and center supports and slat system, can be positioned at two heights.
- B FRAME:** The outer wood frame that surrounds the platform and attaches to the headboard, can be positioned at two heights.



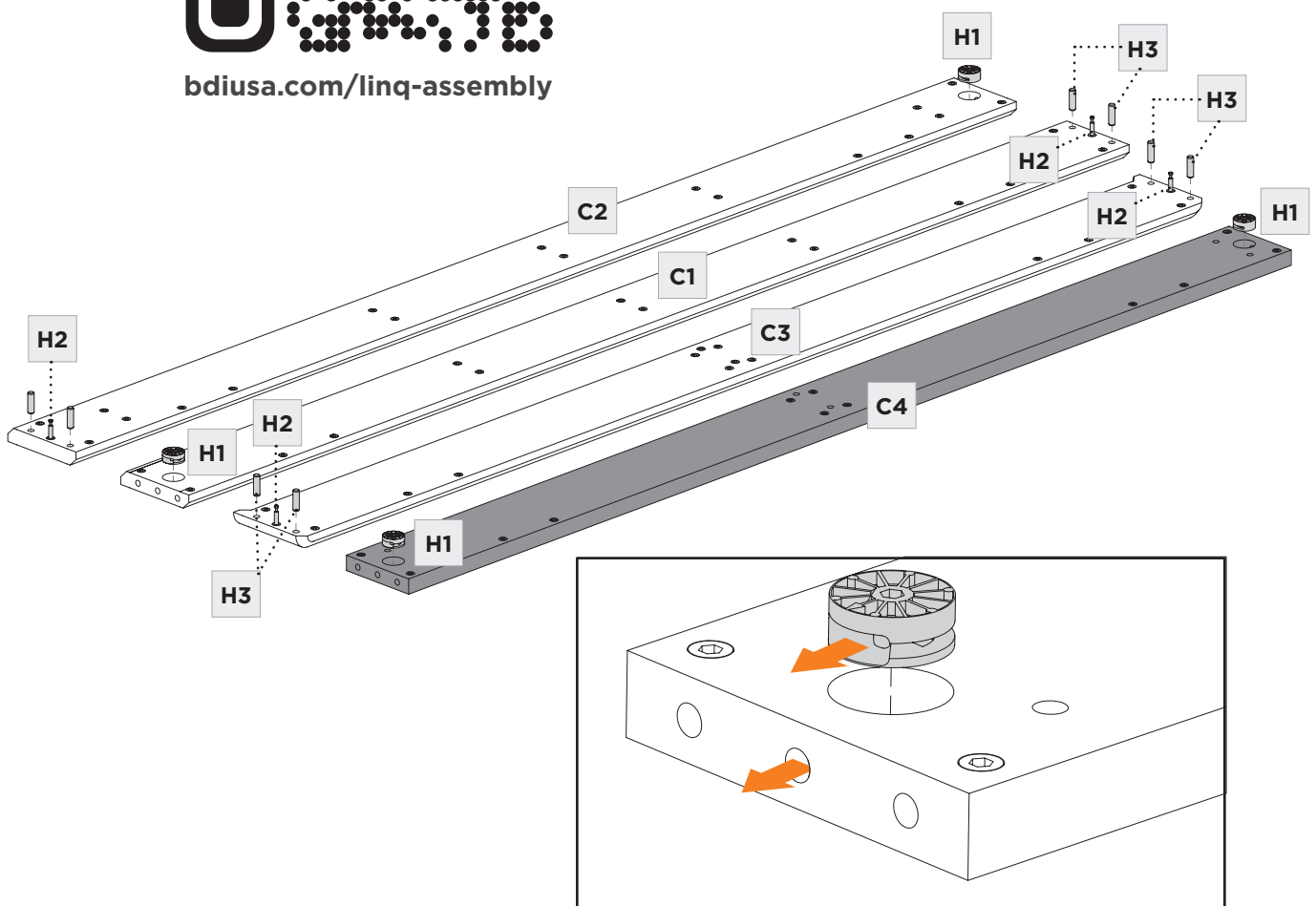
Lay the **Side Rails (C1 & C2)** and the **Footboard and Headboard Rails (C3 & C4)** on a soft, non-marring surface, like carpet. Insert **8 Dowels (H3)** and **4 Cam Studs (H2)** into the holes on the ends of the **Rails**, as shown. Place **4 Cam Locks (H1)** into the large holes at the ends of the **Rails**, ensuring that the hole in the **Cam Lock (H1)** lines up with the hole on the end of the **Rails**.

	CAM LOCK – H1	QTY 4
	CAM STUD – H2	QTY 4
	DOWEL – H3	QTY 8

Scan to watch the LINQ assembly video.



[bdiusa.com/linq-assembly](http://bdiusa.com/linq-assembly)

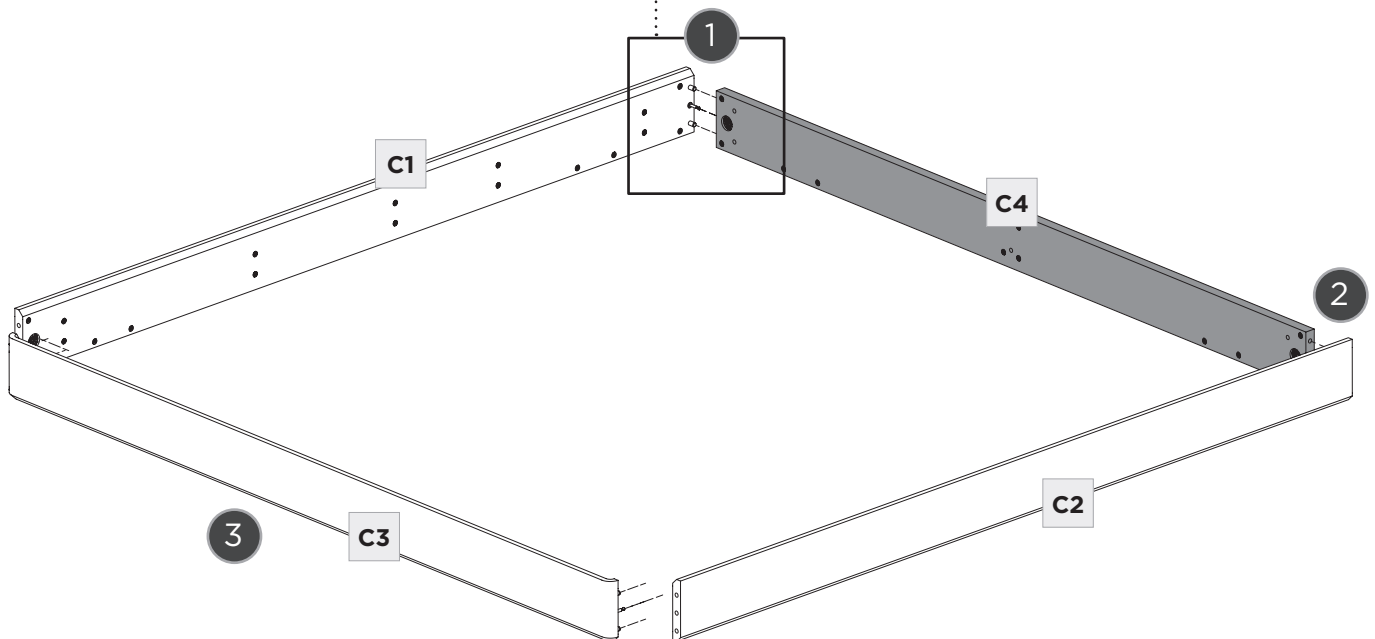
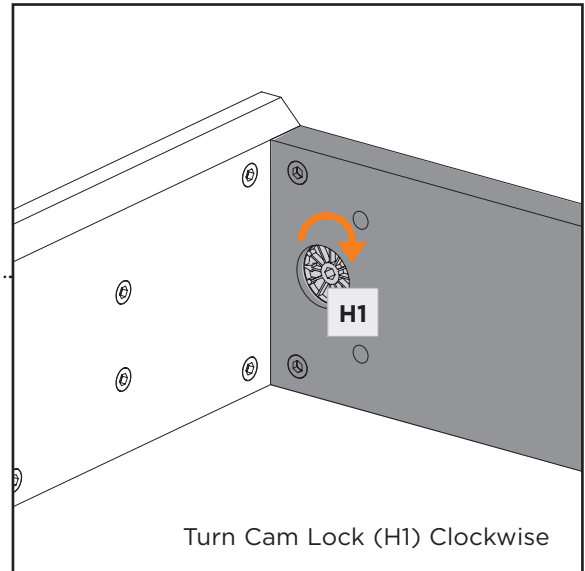


## STEP 2. CONNECT RAILS


## ASSEMBLY

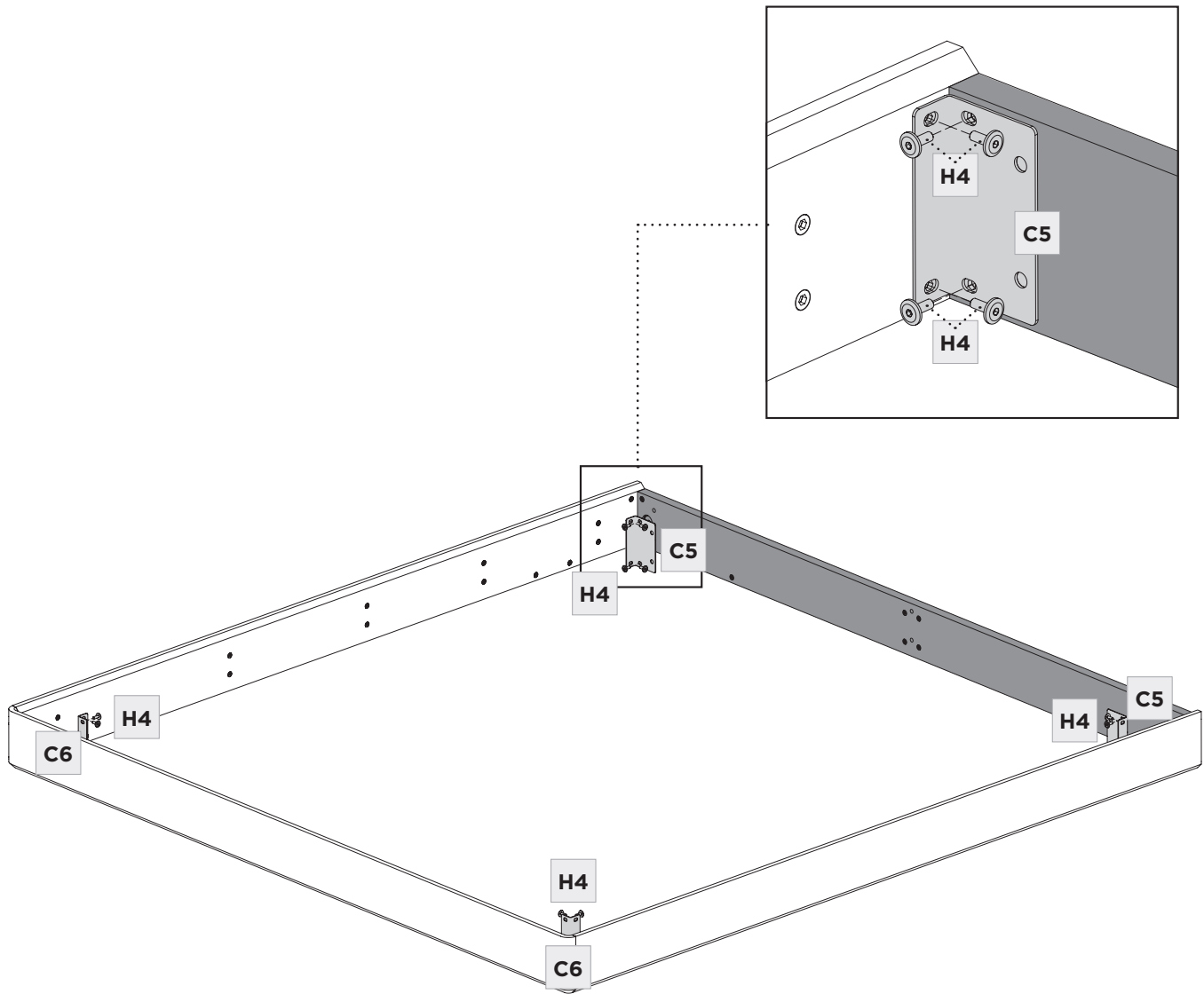
Connect the **Side Rails (C1 and C2)** to the **Headboard Rail (C4)**. Tighten each **Cam Lock (H1)** with a **6mm Hex Wrench (T2)**. Connect the **Footboard Rail (C3)** to the ends of the **Side Rails**. Tighten each **Cam Lock (H1)** with a **6mm Hex Wrench (T2)**.

	HEX WRENCH – T2	QTY 1
--	-----------------	----------



Attach the **Headboard Corner Brackets (C5)** to the corners near the **Headboard Rail (C4)** using **8 Screws (H4)**. Tighten with **Hex Wrench (T1)**. Attach the **Footboard Corner Brackets (C6)** to the corners near the **Footboard Rail (C3)** using **8 Screws (H4)**. Tighten with **Hex Wrench (T1)**.

	HEX WRENCH – T1	QTY 1
	SCREW– H4	QTY 16



## STEP 4. CONNECT SIDE SUPPORT BRACKETS


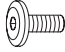
## ASSEMBLY

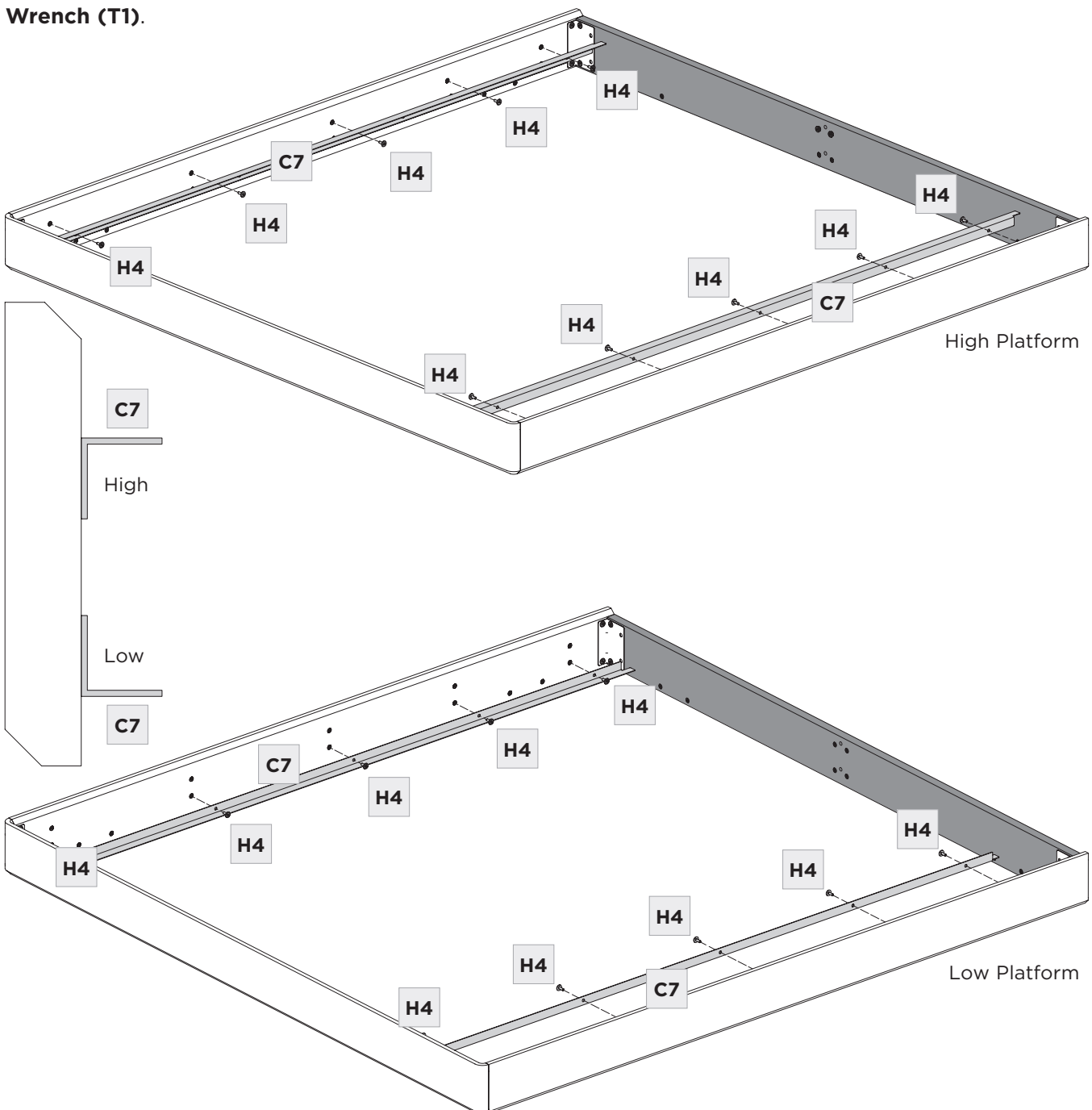
Connect the **2 Side Support Brackets (C7)** to the **Side Rails** according to desired platform position.

For a **HIGH PLATFORM**: mount the rails to the upper threaded inserts with the flat side facing up.

For a **LOW PLATFORM**: flip the **Side Support Brackets (C7)** upside down and mount with the flat side facing down, using the lower threaded inserts.

Attach with **8 Screws (H4)**. Tighten with **Hex Wrench (T1)**.

	HEX WRENCH – T1	QTY 1
	SCREW – H4	QTY 10

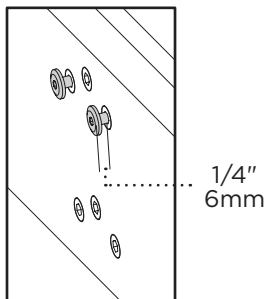
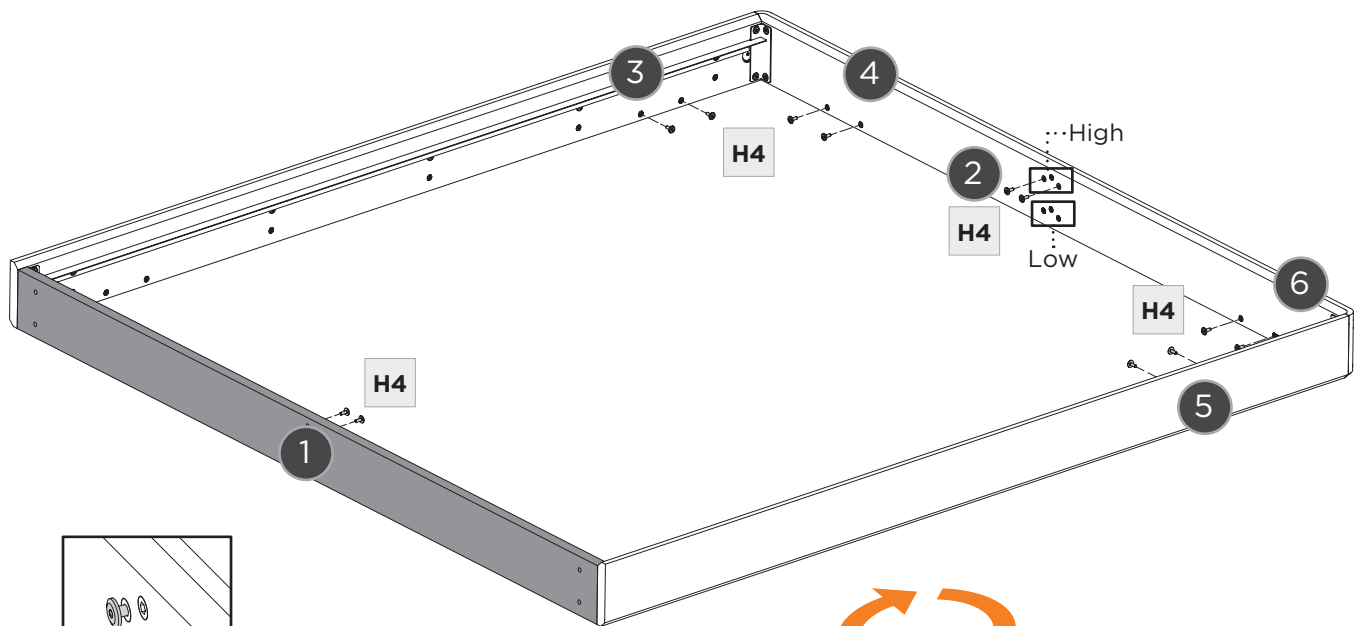


Pre-thread **12 Screws (H4)** into the threaded inserts as shown. Leave the screw head sticking out about 1/4" (6mm).

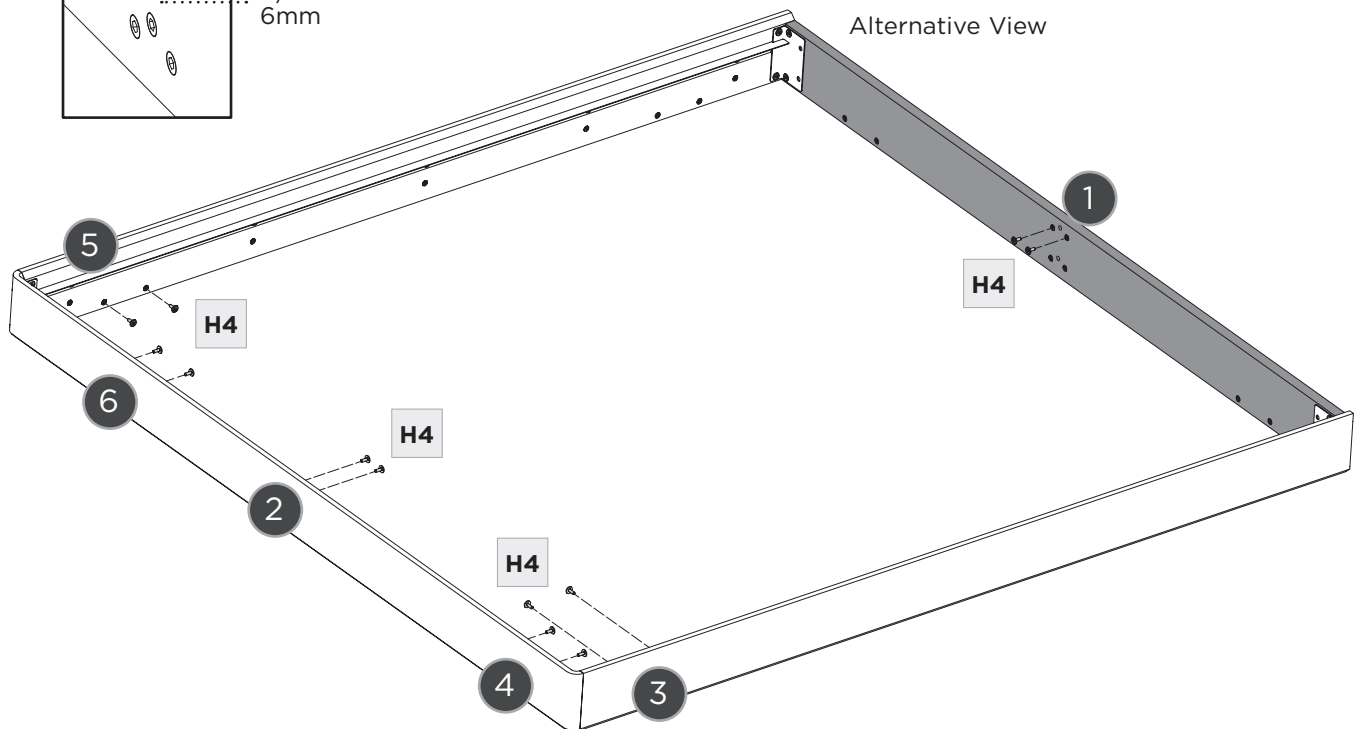
For a **HIGH FRAME** position: use the upper set of threaded inserts for screw sets 1 and 2.

For a **LOW FRAME** position: use the lower set of threaded inserts for screw sets 1 and 2.

	SCREW- H4	QTY 12
---	-----------	-----------



Alternative View



## STEP 6. ATTACH LEG/RAIL CONNECTOR AND LEGS



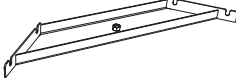


## ASSEMBLY

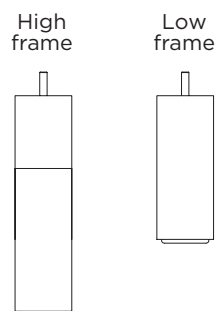
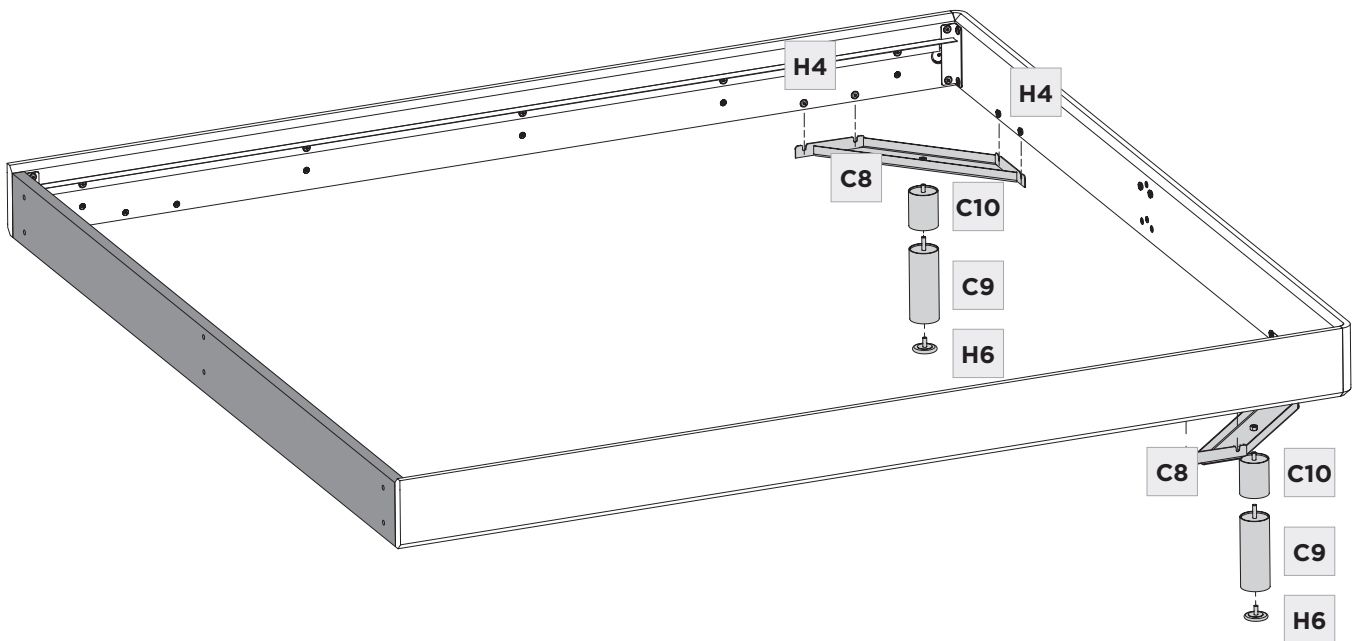
Thread the leg sections onto the **Leg/Rail Connector (C8)**.

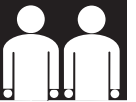
For a HIGH FRAME position: first thread a **Short Leg (C10)** onto the end of the **Long Leg (C9)** before attaching both pieces. Thread a **Leveler (H6)** onto the end of the leg.

For a LOW FRAME position: thread a **Long Leg (C9)** directly into the **Leg/Rail Connector (C8)**, then thread a **Leveler (H6)** onto the end.



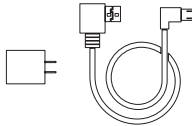
Lift the Frame and carefully slot the entire leg assembly into place on the previously installed **Screws (H4)**. Tighten screws with **Hex Wrench (T1)**.

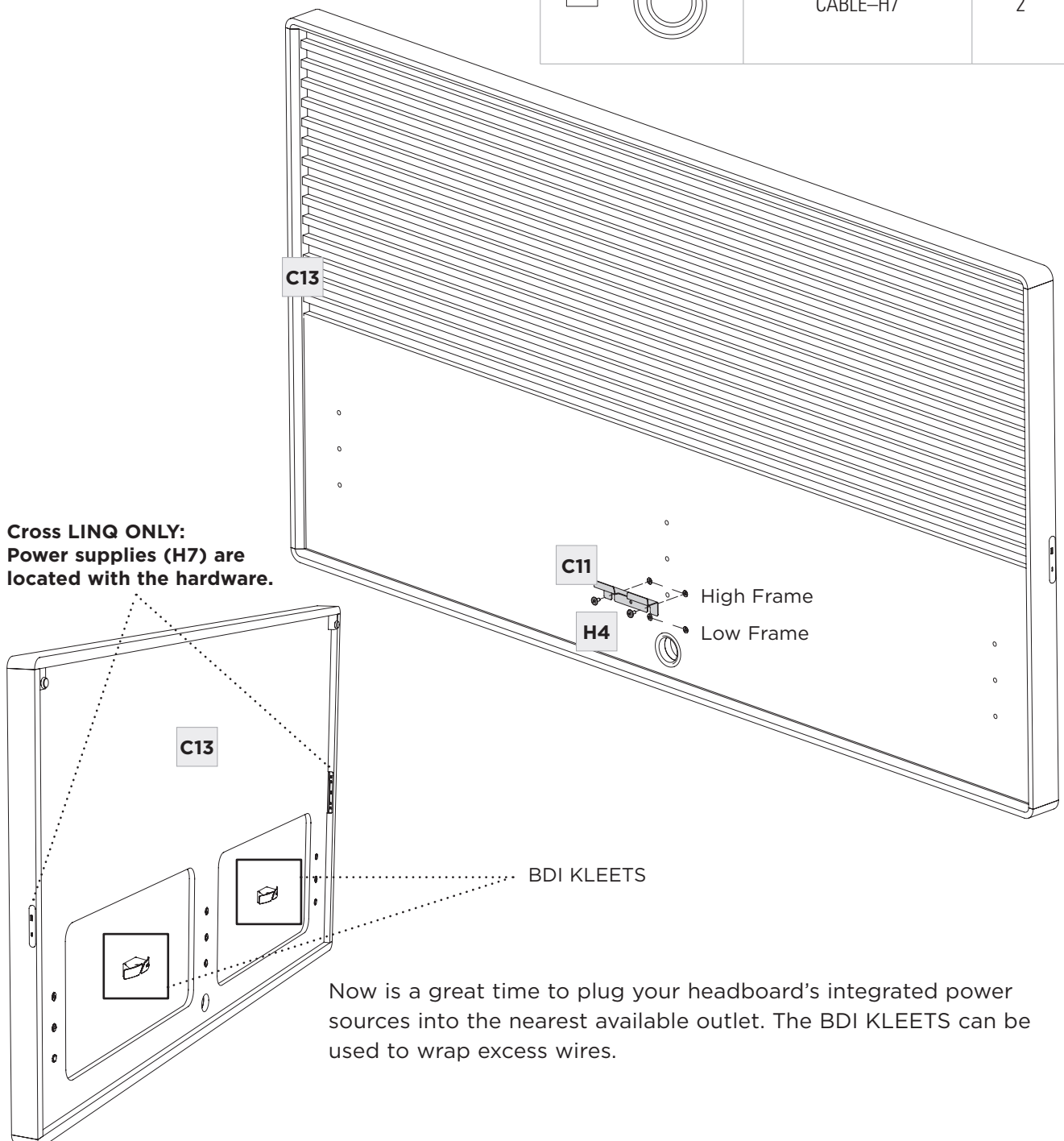
	HEX WRENCH – T1	QTY 1
	LEVELER – H6	QTY 2
	LEG GUSSET – C8	QTY 2
	LONG LEG – C9	QTY 2
	SHORT LEG – C10	QTY 2





With the help of another person, position the **Headboard (C13)**, so it is securely leaning against the wall in its desired position. Attach the **Headboard Cleat (C11)** to the **Headboard (C13)** using **2 Screws (H4)**. Tighten with **Hex Wrench (T1)**. Use the upper set of threaded inserts if you want a **HIGH FRAME** position. If you want a **LOW FRAME** position, use the lower set of inserts.

	HEX WRENCH – T1	QTY 1
	SCREW– H4	QTY 2
	WALL ADAPTER & POWER CABLE–H7	QTY 2

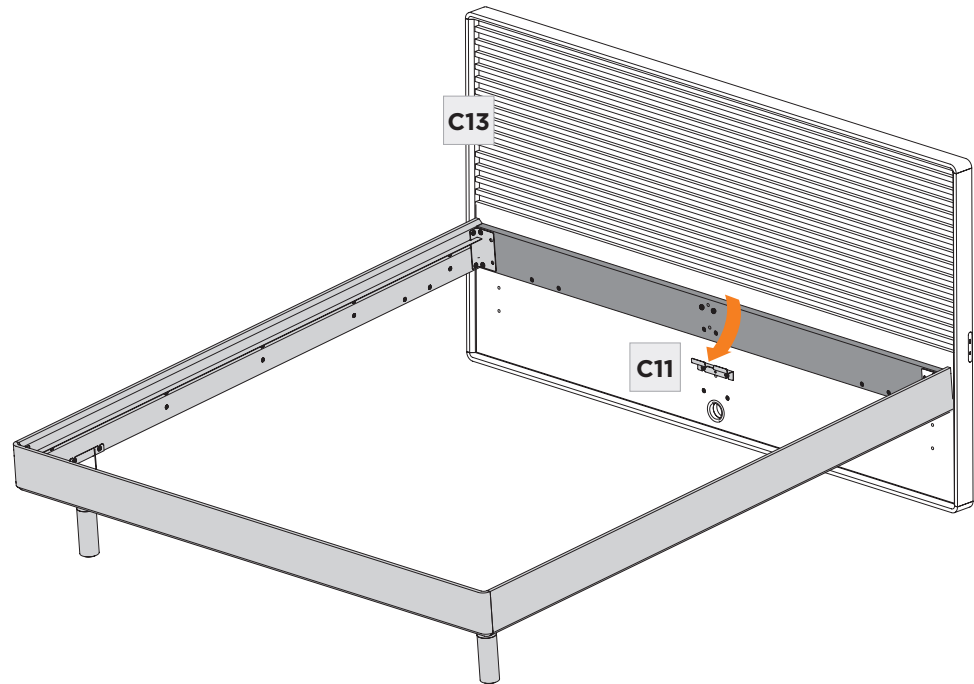


Now is a great time to plug your headboard's integrated power sources into the nearest available outlet. The BDI KLEETS can be used to wrap excess wires.

## STEP 8. CONNECT BED FRAME TO HEADBOARD

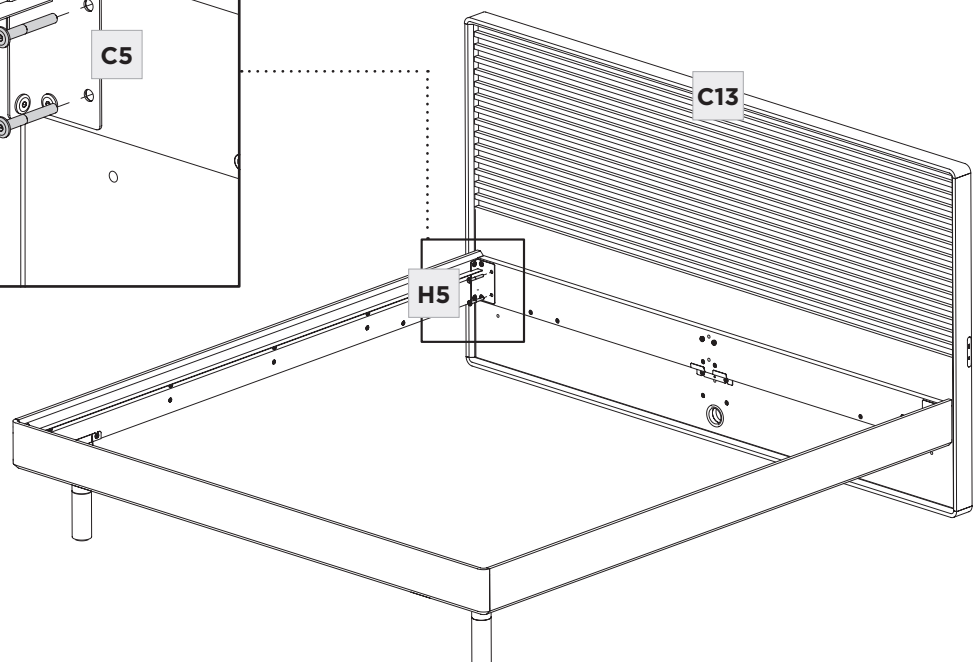
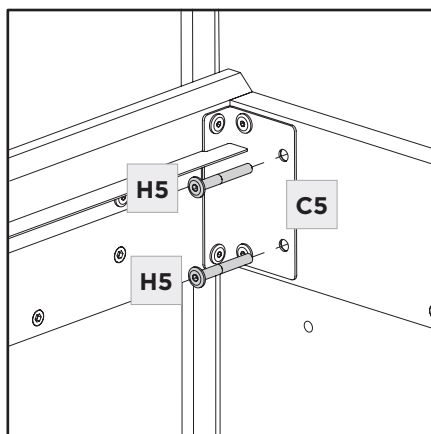
## ASSEMBLY

Carefully lift the bed frame and pull it close to the **Headboard (C13)**, then lower the **Frame** onto the **Headboard Cleat (C11)**.



Fasten the bedframe to the **Headboard (C13)** using **4 Screws (H5)**. Insert them into the **Headboard Corner Brackets (C5)** as shown. Tighten with **Hex Wrench (T1)**.

	HEX WRENCH – T1	QTY 1
	SCREW– H5	QTY 4



Thread the appropriate leg sections onto the **Center Support (C12)**, using the **Long Leg (C9)**, and **2 Short Legs (C10)**, as needed. Complete the leg with a **Leveler (H6)** at the bottom.

**HIGH PLATFORM/HIGH FRAME**

Long Leg + Short leg + Short Leg + Leveler

**LOW PLATFORM/HIGH FRAME**

Long Leg + Short leg + Leveler


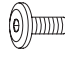
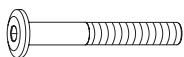
**HIGH PLATFORM/LOW FRAME**

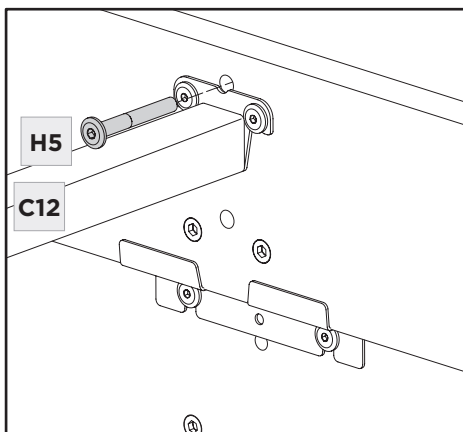
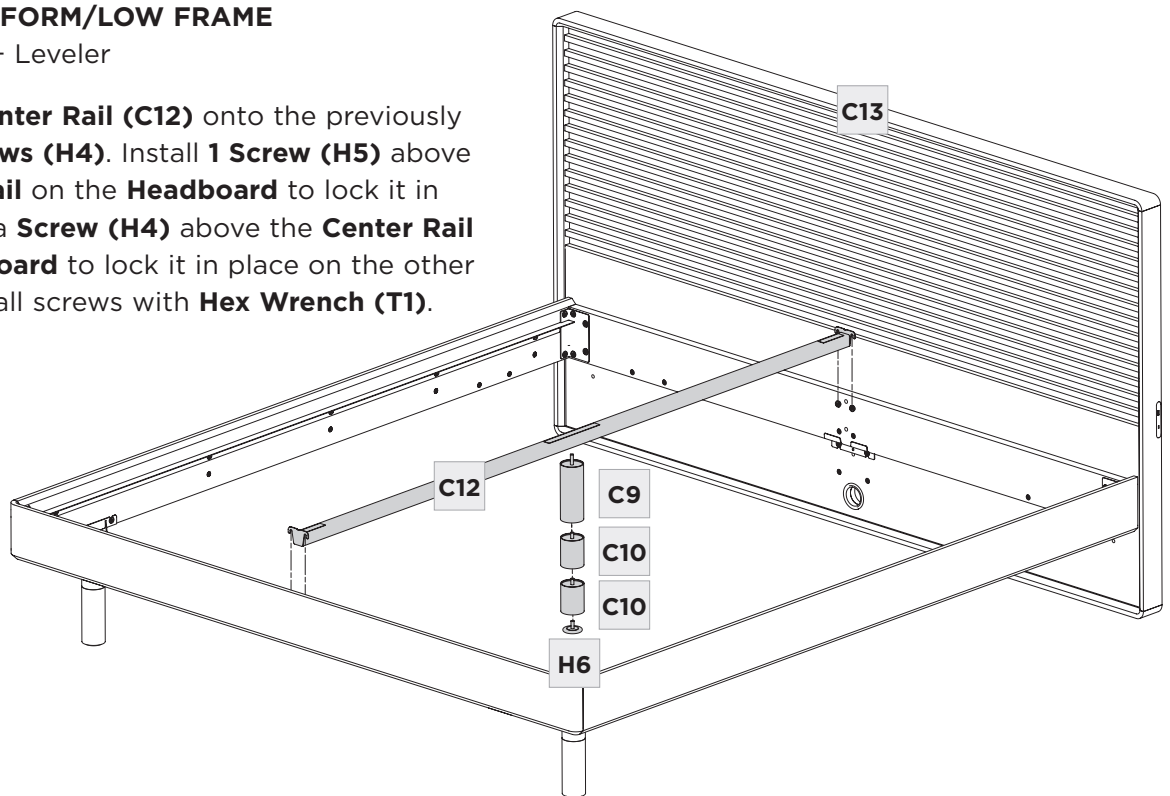
Long Leg + Short leg + Leveler

**LOW PLATFORM/LOW FRAME**

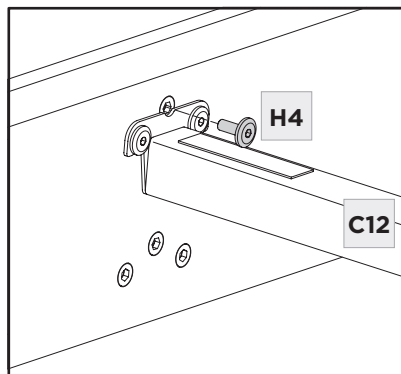
Long Leg + Leveler

Lower the **Center Rail (C12)** onto the previously installed **Screws (H4)**. Install **1 Screw (H5)** above the **Center Rail** on the **Headboard** to lock it in place. Install a **Screw (H4)** above the **Center Rail** on the **Footboard** to lock it in place on the other end. Tighten all screws with **Hex Wrench (T1)**.

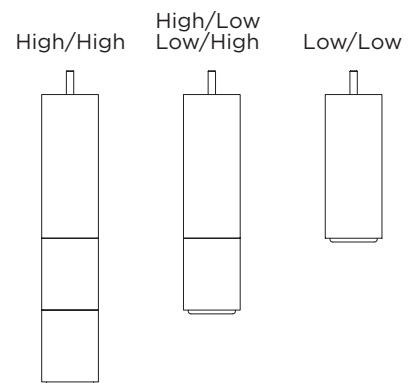
	HEX WRENCH – T1	QTY 1
	SCREW– H4	QTY 1
	SCREW– H5	QTY 1



Headboard Side



Footboard Side

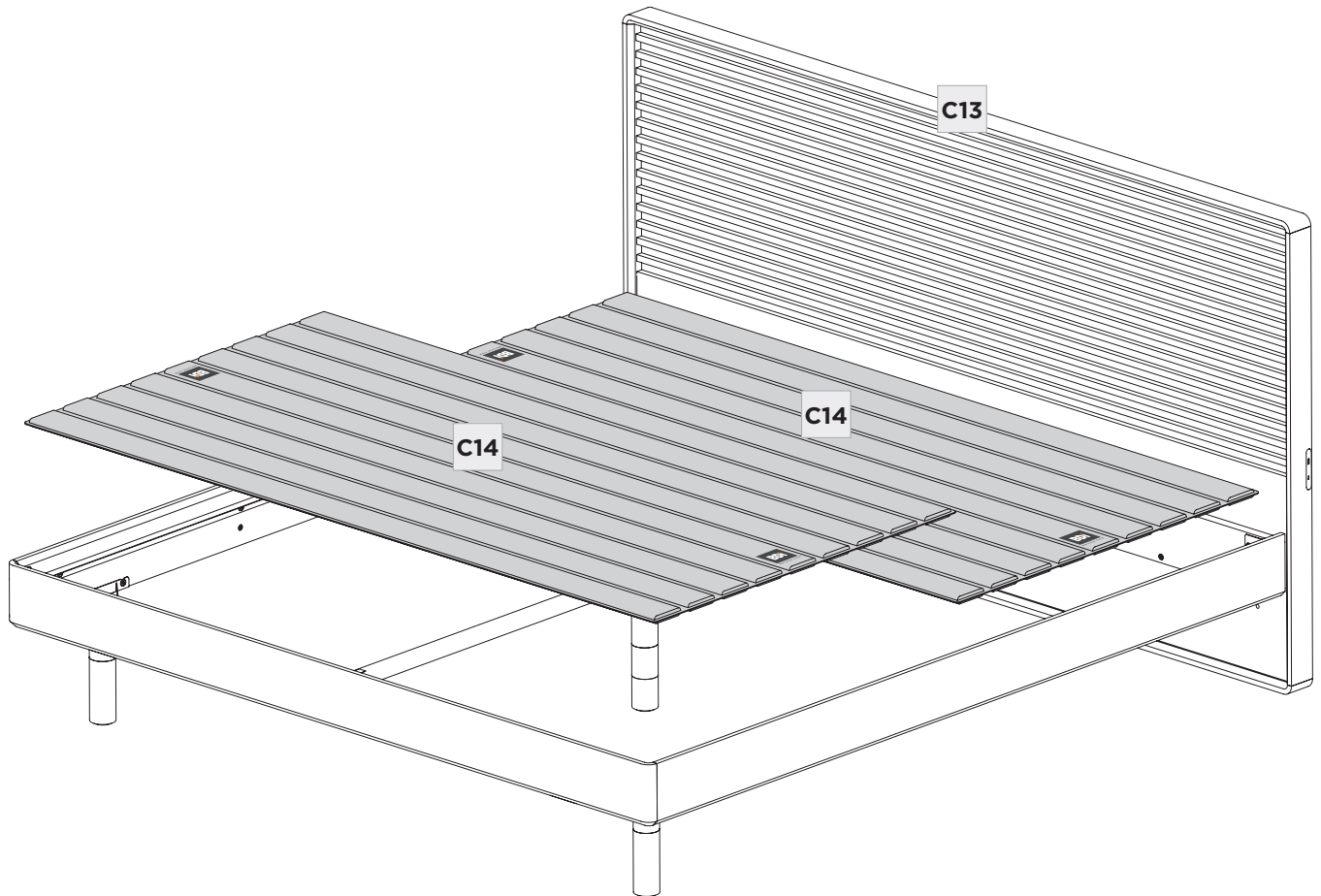


Center Leg Options

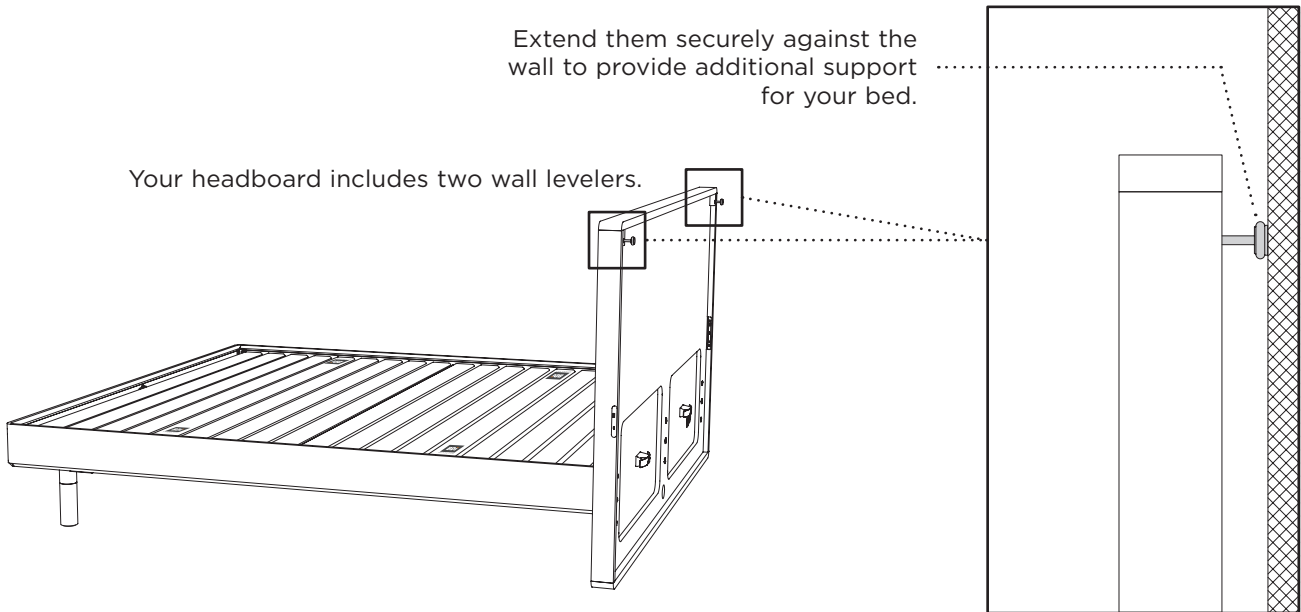
## STEP 10. INSTALL SLATS

## ASSEMBLY

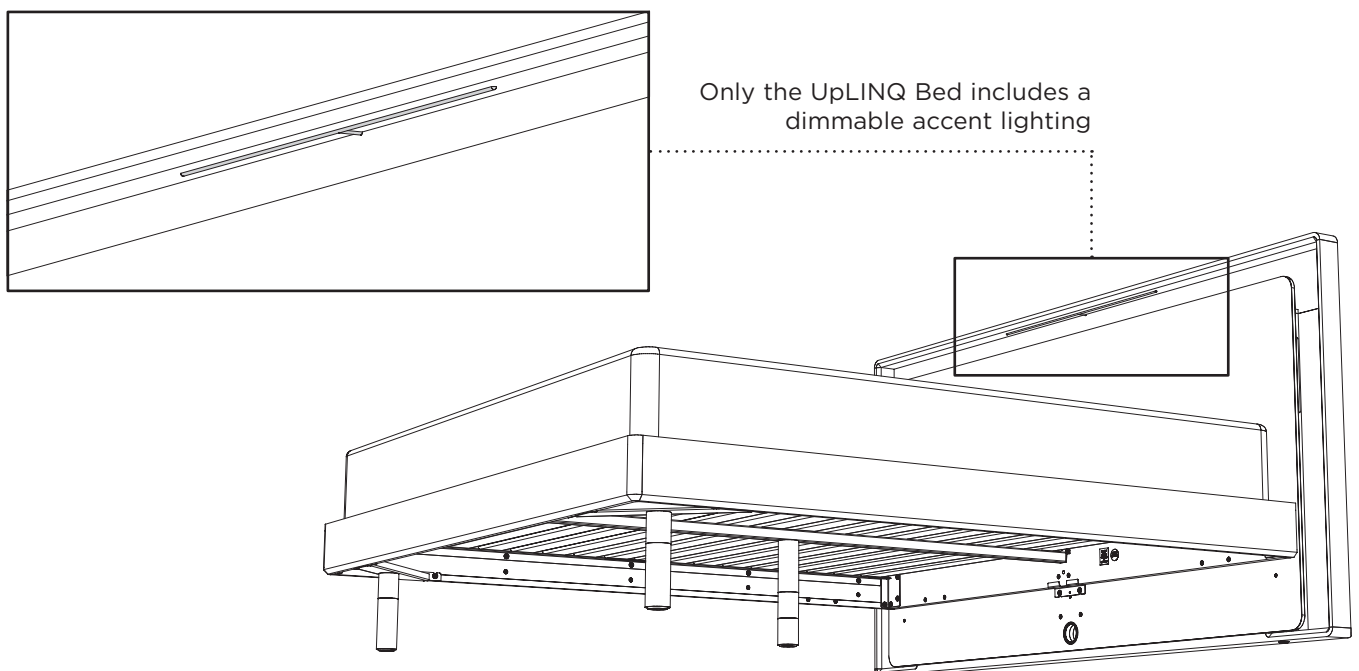
Starting at the **Headboard (C13)**, unroll the **Bed Slats (C14)** and place them on the platform with the Velcro facing down. Press to secure in place.



Before adding your mattress, check that your headboard is level and adjust the floor levelers as needed. Both your bed's frame and the headboard include floor levelers. Check your bed's legs for even contact with the floor and adjust floor levelers as needed.



The **UpLINQ Bed** is equipped with dimmable accent lighting. Plug the cord into either a wall outlet, or the included power strips on the sides of the headboard. Tap the embedded brass rod at the underside of the top rail to turn it on or off. To dim the light, touch and hold the brass rod and release it when the light level is to your liking. When the light is turned off, it will hold the last setting until the next time it is turned on.



# ADJUSTABLE MATTRESSES AND BED FRAMES

## ADJUSTABLE MATTRESS

These mattresses have built in motors and can be treated as regular mattresses. Establish the configuration of your platform and frame based on your mattress height. Run the necessary wiring through the cable management openings to plug in your mattress.



## “ZERO CLEARANCE” ADJUSTABLE BED FRAMES

Many adjustable bed frames sold today are “zero clearance,” meaning that they can be placed directly on the floor or a solid platform to operate. These frames usually ship with legs, but these legs are optional.



Most zero clearance bed frames can be placed directly on the LINQ platform. As a general rule, the primary supports for the bed frame needs to run from the top (headboard) to the bottom (foot of the bed), evenly distributing the frame’s weight along the platform’s slats.



Confirm with your adjustable bed’s manufacturer whether your frame is zero clearance and if it can be placed on a platform. The LINQ platform’s slats are 3” wide and spaced 1.5” apart. If your bed frame has the weight distributed on horizontal supports or if it is not zero clearance, refer to the directions on the next page.

## RECOMMENDED CONFIGURATION

Note that thicknesses of bed frames can vary and these configurations are examples based on common scenarios. Your configuration may differ. Consider the height of your bed frame and mattress when positioning your frame and platform, with the goal of getting the top of your mattress approximately 24” from the floor.

### Mattresses 10” and less

Platform Position: LOW  
Frame Position: HIGH  
Platform Height: 11” | 28 cm



### Mattresses over 10”

Platform Position: LOW  
Frame Position: LOW  
Platform Height: 8” | 21 cm



## ADJUSTABLE MATTRESSES AND BED FRAMES

### ADJUSTABLE BED FRAMES WITH LEGS

For some adjustable bed frames, legs are required to provide proper support or to provide clearance under the frame for the motor and mechanisms to operate. In these instances, the LINQ bed's inner platform, center and side rails will not be used. The adjustable bed's frame will be assembled and placed within LINQ's wood frame.

The LINQ bed frame can be positioned in the LOW or HIGH position. To determine the proper frame height, consider the combined height of your mattress and your adjustable bed frame. Most bed frames will have variable leg heights. The ideal height of your mattress is around 24" off the floor.



LOW Frame

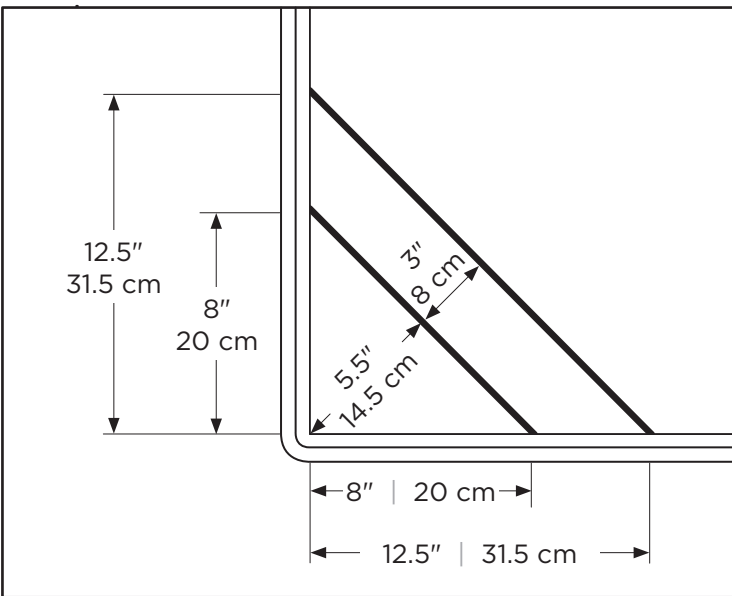
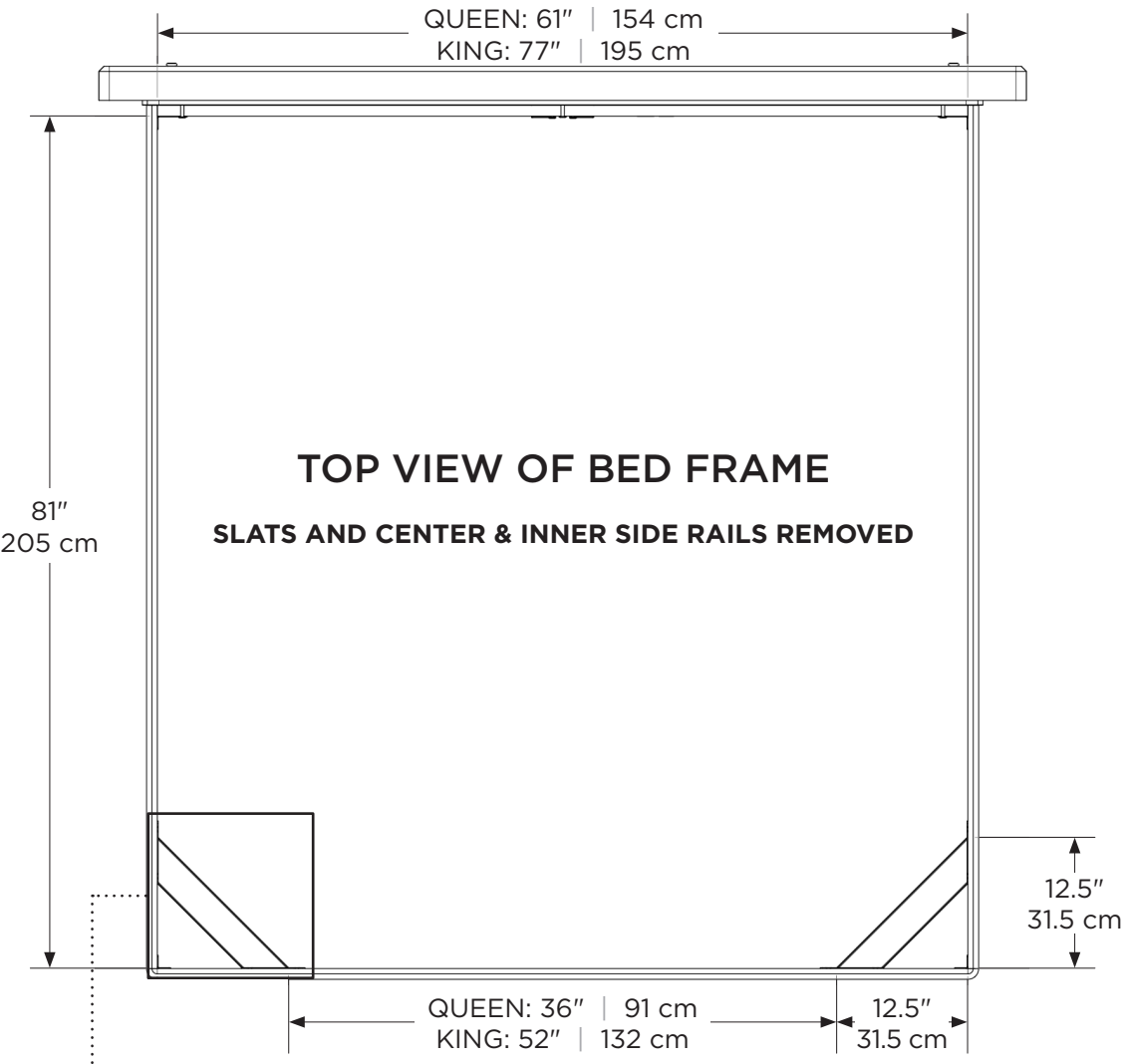


HIGH Frame

**NOTE:** Each adjustable bed will have its own unique requirements and we suggest you confirm dimensions and compatibility before purchase and installation.

Improper installation may invalidate your manufacturer's warranty. When in doubt, consult with the manufacturer of your adjustable bed for proper installation.

**ADDITIONAL DIMENSIONS**



Corner dimensions

## CARE & MAINTENANCE

Your BDI furniture has been constructed with the finest materials, carefully manufactured, and designed to last a lifetime. Regular furniture care will prolong your enjoyment and keep it looking its best. Here are some general tips for taking care of BDI furniture. Your surfaces may vary.

### GLASS

Glass surfaces are maintained using household glass cleaner and a paper towel or cloth.

### SATIN-ETCHED GLASS

This uniquely smooth-to-the-touch glass surface can be regularly maintained using household glass cleaner and a paper towel or cloth.

A 'Magic Eraser' removes minor scratches or scuffs not eliminated using a paper towel or cloth. 'Magic Eraser' is a melamine foam product available at any grocery store or home improvement center. Dampen the entire glass surface and the Magic Eraser, then rub the whole surface in broad, even strokes using moderate pressure. Clean and dry the surface with a paper towel. Check for results and repeat as necessary. Any scratches or scuffing not eliminated by one of the above methods can often be addressed by 'refreshing' the glass. This process should not be required more than once per 6-12 months. See this brief video for the simple method: [www.bdiusa.com/glass](http://www.bdiusa.com/glass)

### WOOD

Wood surfaces should be cleaned with a slightly damp (not saturated) cloth or paper towel. Do not use glass cleaner on wood. If moisture remains, dry the surface with another cloth. If needed, a gentle, non-abrasive cleanser may be used, but wipe away all cleaner residue and dry the surface with a cloth.

BDI's wood finishes feature natural hardwood solids and veneers. Wood is a product of nature and—unlike man-made materials that can be manufactured to strict and consistent specifications—has natural imperfections that are part of its appeal and character. Every piece of wood differs from every other, even when coming from the very same tree. As such, grain, texture, and tone variation should be expected from one panel or piece of furniture to the next.

While BDI's stained wood finishes are stable in tone & appearance, all finishes are subject to some degree of discoloration with prolonged exposure to direct sunlight. Please avoid positioning your BDI cabinet in any area with ample direct sunlight. To learn more about the features of natural wood, visit [www.bdiusa.com/wood](http://www.bdiusa.com/wood)

### METAL, PORCELAIN, & PAINTED SURFACES

Surfaces should be cleaned with a slightly damp (not saturated) cloth or paper towel. If moisture remains, dry the surface with another cloth. If needed, a gentle, non-abrasive cleanser may be used, but be sure to wipe away all cleaner residue and dry the surface with a cloth.

## WARRANTY

BDI warrants to the original purchaser that for the below-stated warranty term, BDI will replace any product, part, or component covered by this warranty that fails under normal use as a result of a defect in material or workmanship. The decision to replace a complete product versus the part or component in question will be at BDI's sole discretion.

**Residential Use:** BDI Furnishings carry warranty coverage for three (3) years from the date of product delivery, as shown on your sales receipt/documentation. Select chairs carry coverage for five (5) years from the date of product delivery.

**Commercial Use:** BDI Furnishings carry warranty coverage for one (1) year from the date of product delivery, as shown on your sales receipt/documentation. Select chairs carry coverage for five (5) years from the date of the product delivery, based on an 8-hour daily use pattern.

BDI reserves the right to refine or update its warranty from time to time. See the complete and latest warranty document at [www.bdiusa.com/warranty](http://www.bdiusa.com/warranty).

## PRODUCT REGISTRATION

Registering your new BDI product allows us to send you important product updates, service information, and helpful hints related to your BDI products. Register today, and you will be entered to win free a BINK table from BDI: [www.bdiusa.com/register](http://www.bdiusa.com/register)



**BDIUSA.COM**

These distinctive product configurations are protected by US and international patents, trade dress, and/or copyright laws. LINQ, CROSS-LINQ, UP-LINQ, & BDI are trademarks of Becker Designed, Inc. All rights reserved. ©2023, BDI | V.11.06.2023

Made in Vietnam.