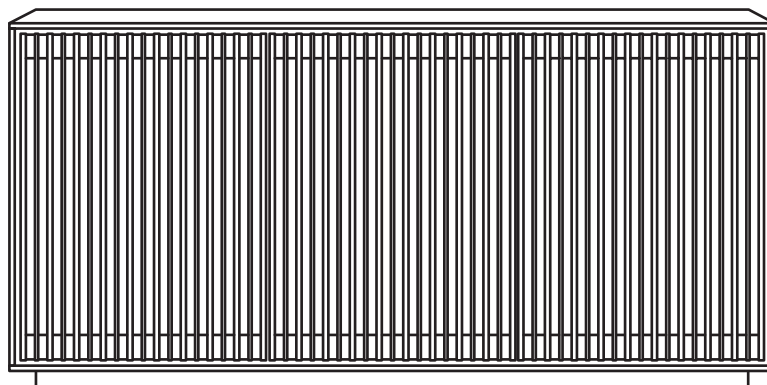


PROFILE™ 8477 & 8479

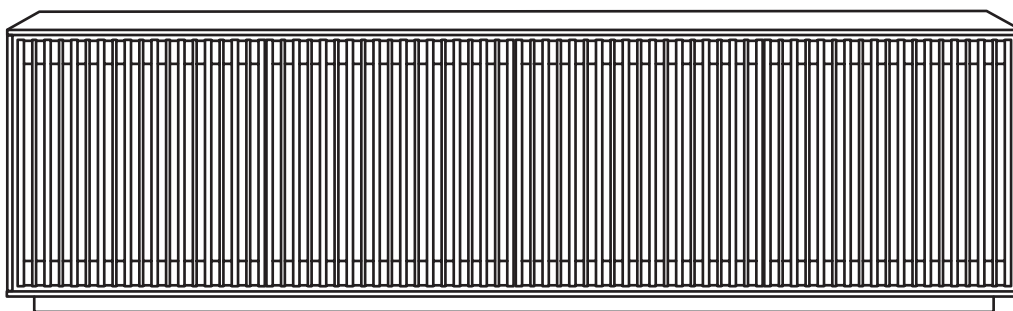
MEDIA & STORAGE

INSTRUCTION MANUAL

LET'S GET STARTED.



8477



8479

DESIGN MATTHEW WEATHERLY

BDi

BDIUSA.COM

Congratulations on the purchase of your Profile cabinet from BDI. Your cabinet has been designed to provide a lifetime of enjoyment. This manual will provide assembly instructions and other helpful information to ensure you get the most out of your product. Please save it for future reference.

Your Profile has been engineered for simple assembly. Please follow these directions carefully to prevent any damage.

Should you need further assistance, contact BDI at customerservice@bdiusa.com.

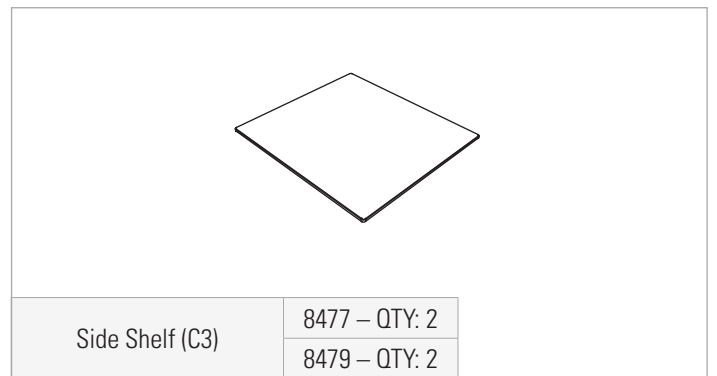
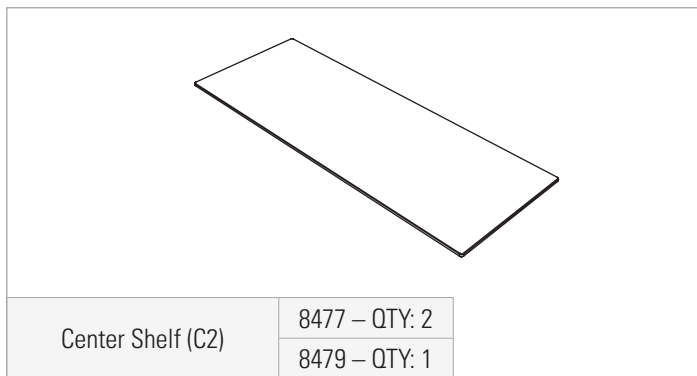
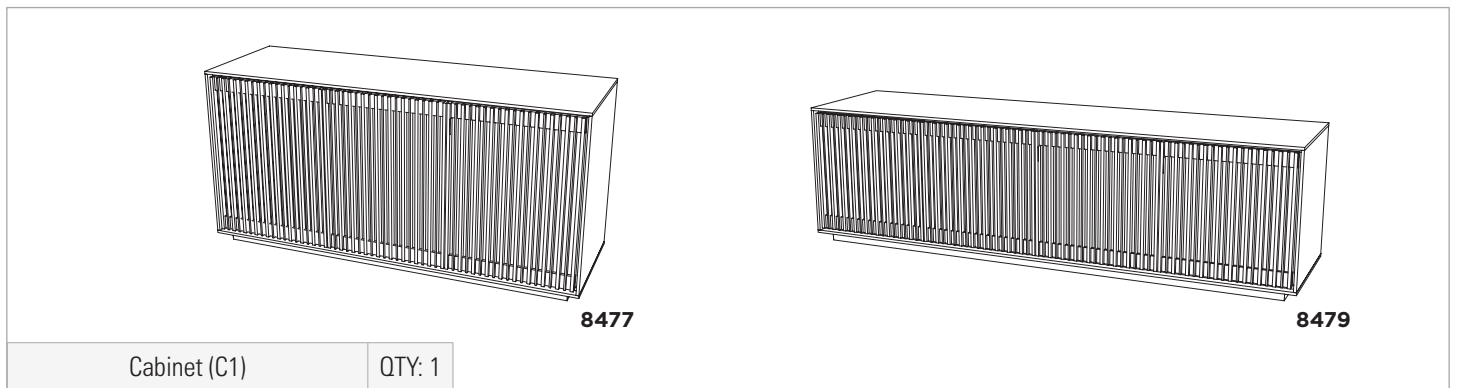
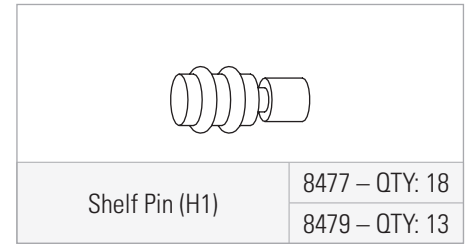
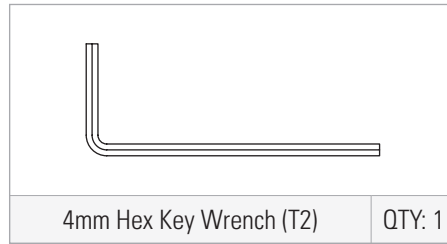
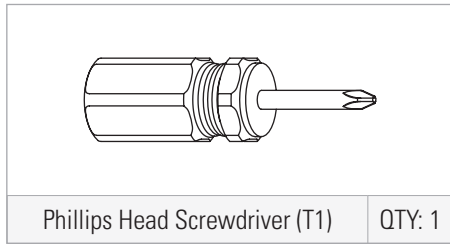
ENJOY!

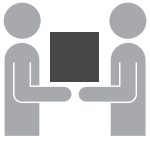


HARDWARE AND COMPONENTS

Unpack and identify the parts listed below. The assembly workspace should be a non-marring surface, such as carpet. For missing hardware pieces, please contact BDI Customer Service at customerservice@bdiusa.com. For all other concerns, please contact your BDI retailer.

Do not use power tools for the assembly of this product.



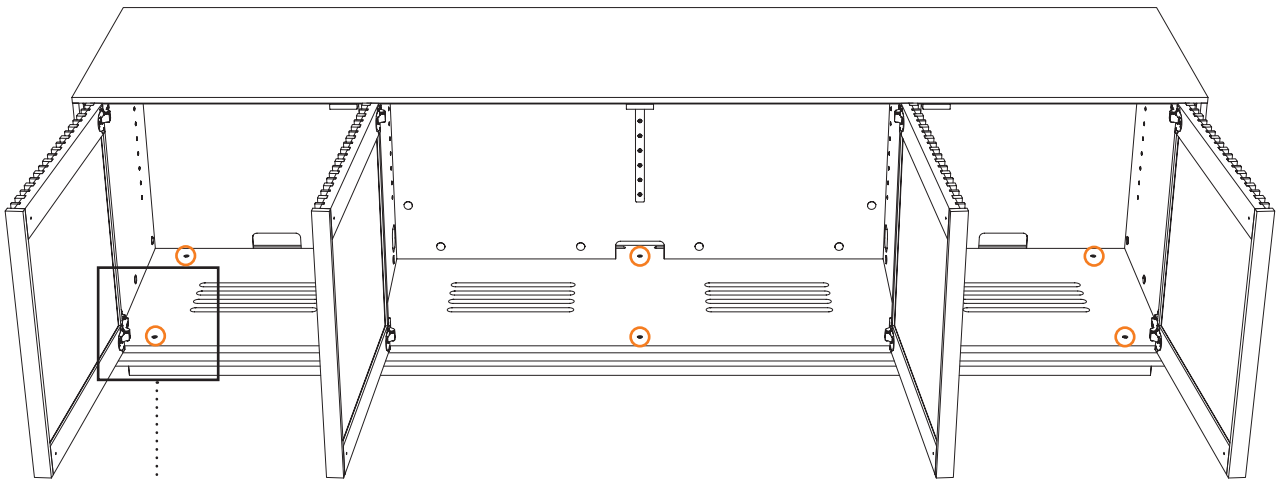


With the help of another person, carefully move the cabinet into its final position.

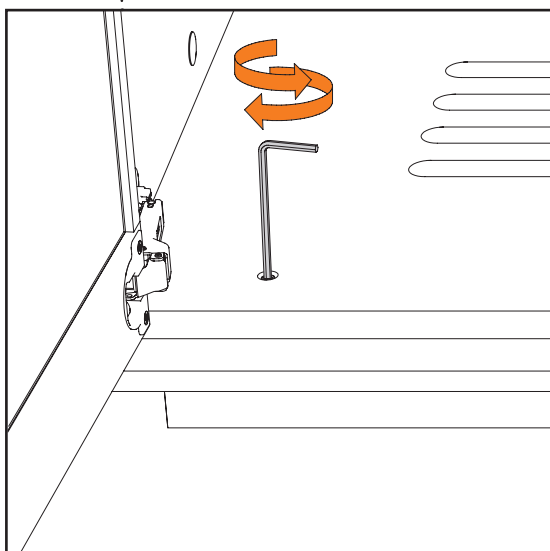
	HEX WRENCH – T2	QTY 1
--	-----------------	----------

NOTE: Your Profile is equipped with wheels to allow it to easily roll forwards and backwards. When you are finished wiring your components and no longer need access to the back of the cabinet, follow this step to raise your cabinet off its wheels to level it, if desired.

Place a level (not included) on top of the cabinet and use the supplied **4mm Hex Key Wrench (T2)** to adjust the levelers from within the cabinet. Start with the outer-most levelers until the cabinet is level, then adjust the center front and rear levelers.



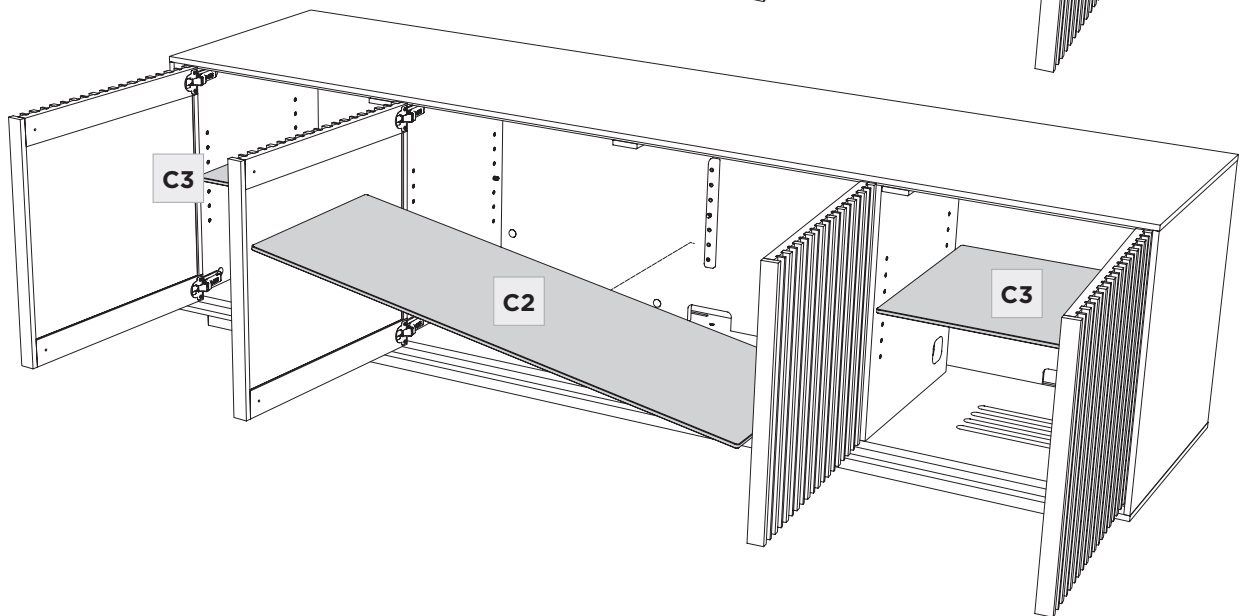
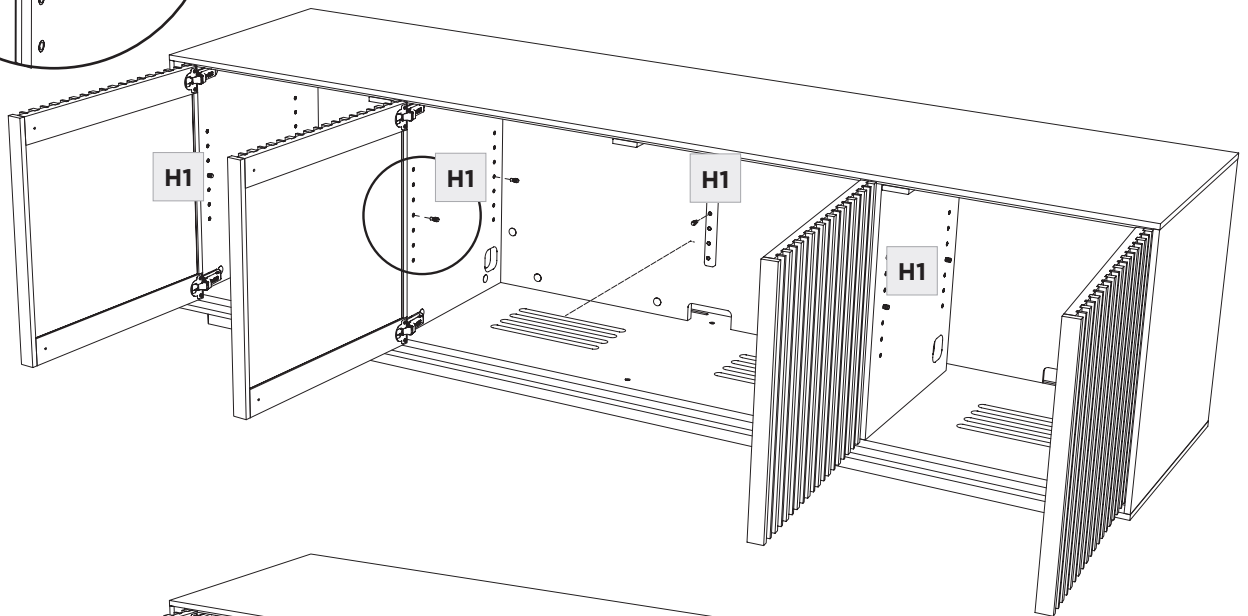
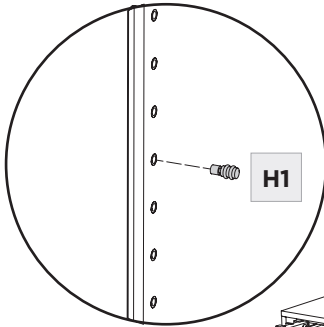
(8479 shown)



Thread the **Adjustable Shelf Pins (H1)** at the desired height. Install the **Glass Shelves (C2/C3)** by tilting the shelf to clear the opening. Carefully rest into position.

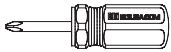
	SHELF PIN – H1	8477: 18
		8479: 13

In some positions it may be necessary to screw in two shelf pins into one side, rest one side of the shelf on those shelf pins while supporting the other side of the shelf and screwing in the remaining shelf pins.



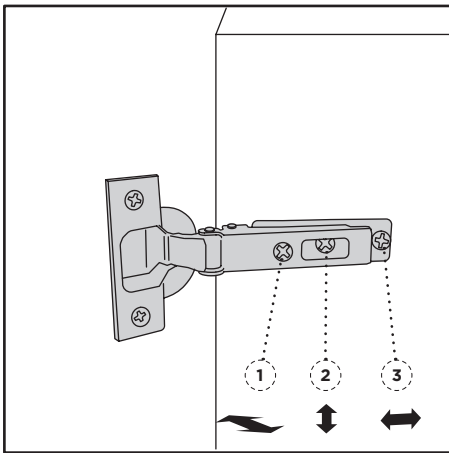
These steps are to be followed after you have unpacked and completed the assembly of your cabinet. Due to jostling in freight or perhaps an uneven floor, the doors on your cabinet may not appear to be in perfect alignment. Making a few minor adjustments can rectify this situation.

The doors on your cabinet should be evenly spaced and the doors should open and close freely without rubbing against the door frame. Your cabinet's hinges are fully adjustable, allowing you to modify the door's position left/right, up/down and in/out. Adjusting one hinge can sometimes cause the need for adjustments to other elements. But with a few adjustments, you can modify the orientation of the cabinet doors to make sure that they hang perfectly within your cabinet.

	PHILLIPS SCREWDRIVER - T1	QTY 1
--	------------------------------	----------

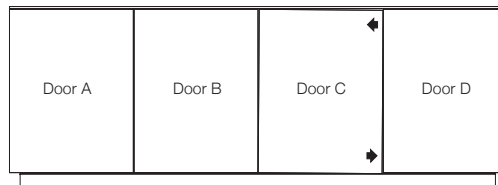
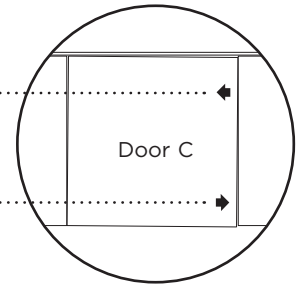
Use a **Phillips Screwdriver (T1)** to adjust the door hinges:

- By adjusting **Screw 1**, the door will move LEFT or RIGHT within the frame. Make minor adjustments at both top and bottom hinges for best results.
- By adjusting **Screw 2**, the door will move UP or DOWN.
- By adjusting **Screw 3** the entire door will move IN or OUT, opening or closing the gap between the door frame and cabinet. (This screw rarely needs adjustment.)



Tightening **Screw 1** on top hinge will open the seam between Door C & Door D here

Loosening **Screw 1** on this hinge will close the seam between Door C & Door D here



Your BDI furniture has been constructed with the finest materials, carefully manufactured, and designed to last a lifetime. Regular furniture care will prolong your enjoyment and keep it looking its best. Here are some general tips for taking care of BDI furniture. Your surfaces may vary.

GLASS

Glass surfaces are maintained using household glass cleaner and a paper towel or cloth.

SATIN-ETCHED GLASS

This uniquely smooth-to-the-touch glass surface can be regularly maintained using household glass cleaner and a paper towel or cloth.

A 'Magic Eraser' removes minor scratches or scuffs not eliminated using a paper towel or cloth. 'Magic Eraser' is a melamine foam product available at any grocery store or home improvement center. Dampen the entire glass surface and the Magic Eraser, then rub the whole surface in broad, even strokes using moderate pressure. Clean and dry the surface with a paper towel. Check for results and repeat as necessary. Any scratches or scuffing not eliminated by one of the above methods can often be addressed by 'refreshing' the glass. This process should not be required more than once per 6-12 months. See this brief video for the simple method: www.bdiusa.com/glass

WOOD

Wood surfaces should be cleaned with a slightly damp (not saturated) cloth or paper towel. Do not use glass cleaner on wood. If moisture remains, dry the surface with another cloth. If needed, a gentle, non-abrasive cleanser may be used, but wipe away all cleaner residue and dry the surface with a cloth.

BDI's wood finishes feature natural hardwood solids and veneers. Wood is a product of nature and—unlike man-made materials that can be manufactured to strict and consistent specifications—has natural imperfections that are part of its appeal and character. Every piece of wood differs from every other, even when coming from the very same tree. As such, grain, texture, and tone variation should be expected from one panel or piece of furniture to the next.

While BDI's stained wood finishes are stable in tone & appearance, all finishes are subject to some degree of discoloration with prolonged exposure to direct sunlight. Please avoid positioning your BDI cabinet in any area with ample direct sunlight. To learn more about the features of natural wood, visit www.bdiusa.com/wood

METAL, PORCELAIN, & PAINTED SURFACES

Surfaces should be cleaned with a slightly damp (not saturated) cloth or paper towel. If moisture remains, dry the surface with another cloth. If needed, a gentle, non-abrasive cleanser may be used, but be sure to wipe away all cleaner residue and dry the surface with a cloth.

WARRANTY

BDI warrants to the original purchaser that for the below-stated warranty term, BDI will replace any product, part, or component covered by this warranty that fails under normal use as a result of a defect in material or workmanship. The decision to replace a complete product versus the part or component in question will be at BDI's sole discretion.

Residential Use: BDI Furnishings carry warranty coverage for three (3) years from the date of product delivery, as shown on your sales receipt/documentation. Select chairs carry coverage for five (5) years from the date of product delivery.

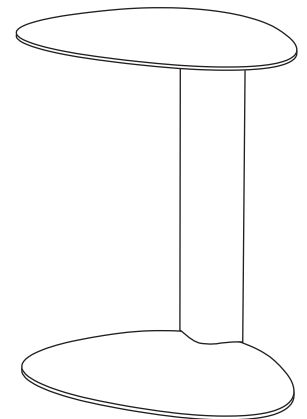
Commercial Use: BDI Furnishings carry warranty coverage for one (1) year from the date of product delivery, as shown on your sales receipt/documentation. Select chairs carry coverage for five (5) years from the date of the product delivery, based on an 8-hour daily use pattern.

BDI reserves the right to refine or update its warranty from time to time. See the complete and latest warranty document at www.bdiusa.com/warranty.

PRODUCT REGISTRATION

Registering your new BDI product allows us to send you important product updates, service information, and helpful hints related to your BDI products.

Register today, and you will be **entered to win free a BINK table** from BDI: www.bdiusa.com/register



BDi

BDIUSA.COM

These distinctive product configurations are protected by US and international patents, trade dress, and/or copyright laws. Profile & BDi are trademarks of Becker Designed, Inc. All rights reserved.
©2024, BDI | V.12.06.2023

Made in China.