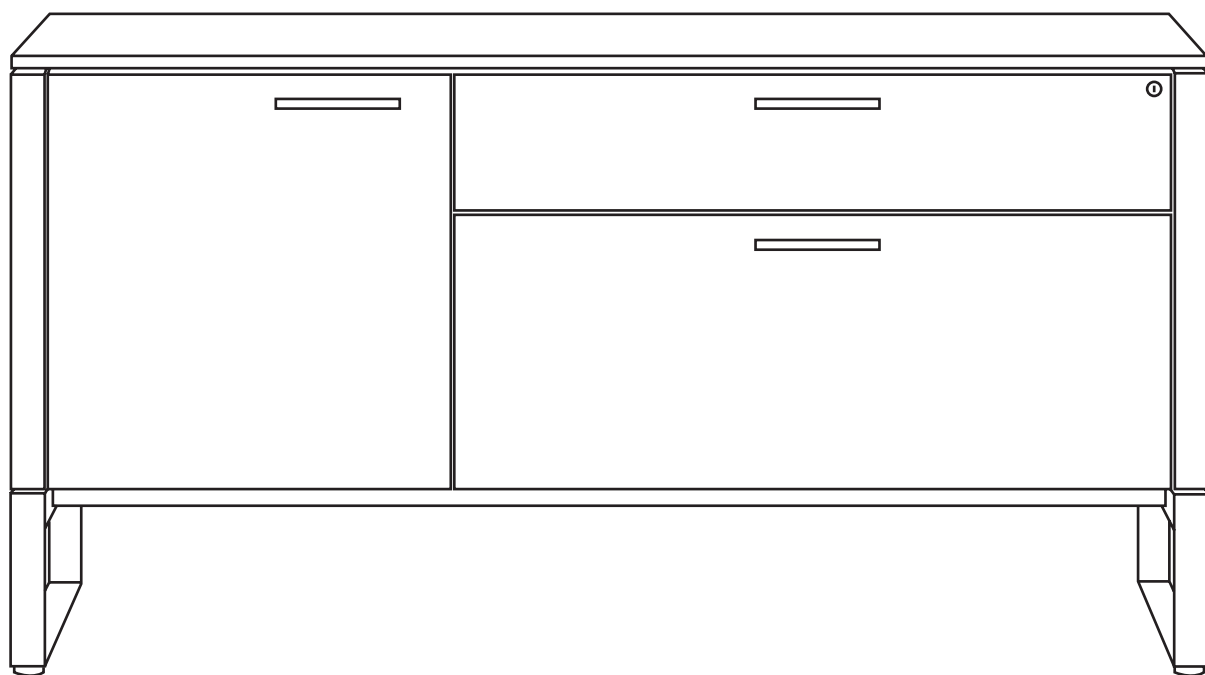


LINEA™ 6220

MULTIFUNCTION CABINET

INSTRUCTION MANUAL

LET'S GET STARTED.



DESIGN MATTHEW WEATHERLY

BDi

BDIUSA.COM



Congratulations on the purchase of your Linea Multifunction Cabinet 6220 from BDI. Your multifunction cabinet has been designed to provide a lifetime of enjoyment. This manual will provide you with assembly instructions and other helpful information to ensure that you get the most out of your product. Please save it for future reference.

Your Linea Multifunction Cabinet has been engineered for simple assembly. Please follow these directions carefully to prevent any damage.

Should you need further assistance, contact BDI at customerservice@bdiusa.com.


ENJOY!

HARDWARE AND COMPONENTS

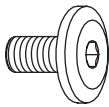
Unpack and identify the parts listed below. The assembly workspace should be a non-marring surface such as carpet. For missing hardware pieces, please contact BDI Customer Service at customerservice@bdiusa.com.

Do not use power tools for the assembly of this product.

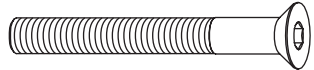
For all other concerns, please contact your BDI retailer.



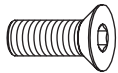
PART #	T1
DESCRIPTION	Hex Wrench
QUANTITY	1




PART #	H1
DESCRIPTION	M6 x 12mm Screw
QUANTITY	5




PART #	H2
DESCRIPTION	M6 x 50mm Screw
QUANTITY	6



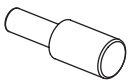
PART #	H3
DESCRIPTION	M6 x 20mm Screw
QUANTITY	6



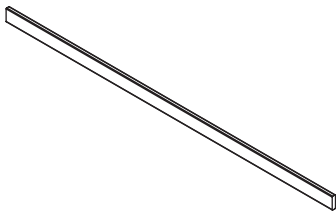
PART #	H4
DESCRIPTION	M4 x 20mm Screw
QUANTITY	6




PART #	H5
DESCRIPTION	Wall Anchor Strap
QUANTITY	1



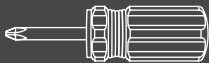
PART #	H6
DESCRIPTION	Shelf Pin
QUANTITY	4




PART #	H7
DESCRIPTION	File Bar
QUANTITY	2




PART #	H8
DESCRIPTION	File Bar Clip
QUANTITY	4



TOOL REQUIRED (NOT INCLUDED)	
Phillips Screwdriver	




HARDWARE REQUIRED (NOT INCLUDED)	
Wall Anchor	

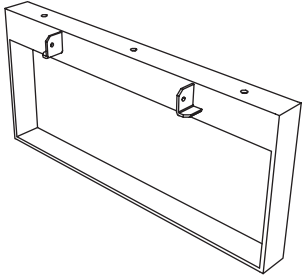


HARDWARE REQUIRED (NOT INCLUDED)	
Screw	

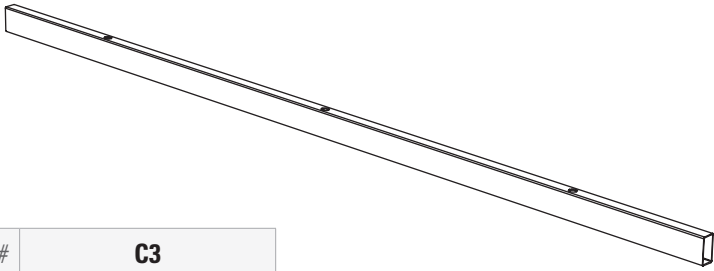
HARDWARE AND COMPONENTS



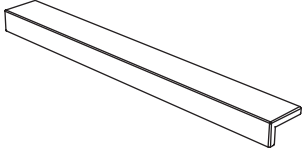
PART #	C1
DESCRIPTION	Cabinet
QUANTITY	1



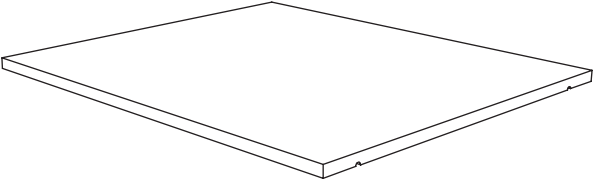
PART #	C2
DESCRIPTION	Leg Frame
QUANTITY	2



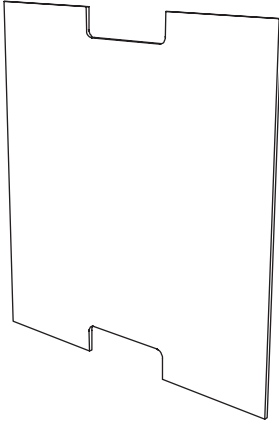
PART #	C3
DESCRIPTION	Spanner Tube
QUANTITY	2



PART #	C4
DESCRIPTION	Pull
QUANTITY	3



PART #	C5
DESCRIPTION	Adjustable Shelf
QUANTITY	1



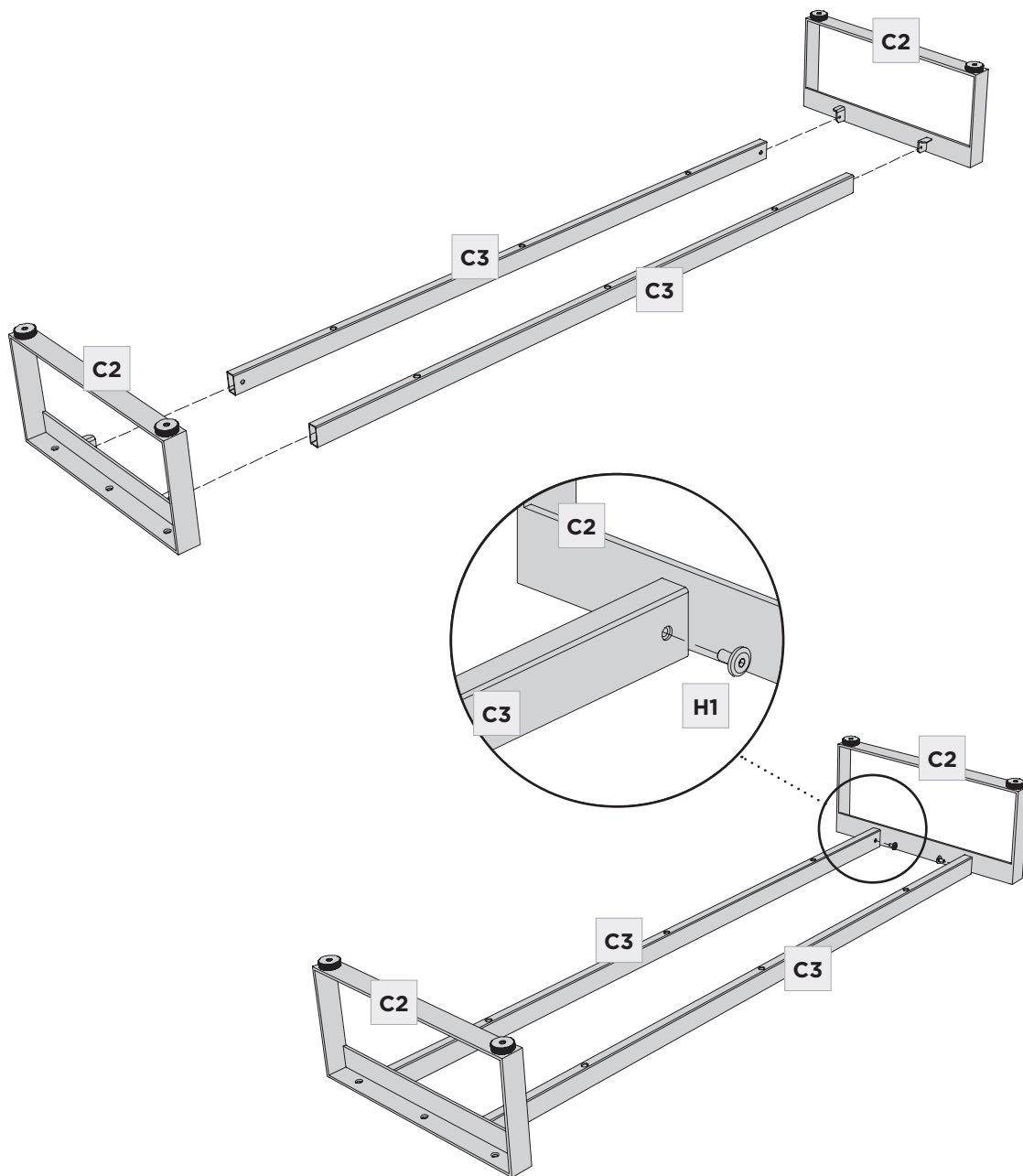
PART #	C6
DESCRIPTION	Removable Back Panel
QUANTITY	1

Position **(C2) Legs** perpendicular to the **(C3) Spanner Tubes**. Slide the flange on the **(C2) Legs** into the **(C3) Spanner Tubes**.

Fasten the **(C2) Legs** to the **(C3) Spanner Tubes** using **4 (H1) Screws**.

NOTE: Leave the screws loose until final base to case assembly.

	PART/DESCRIPTION	QTY
	T1-HEX WRENCH	1
	H1-SCREW	4



STEP 2. ATTACH BASE TO CABINET

2 PERSON TASK



ASSEMBLY


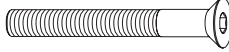
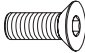
With help from another person, place the **(C1) Cabinet** upside down on a non-marring surface (carpet).

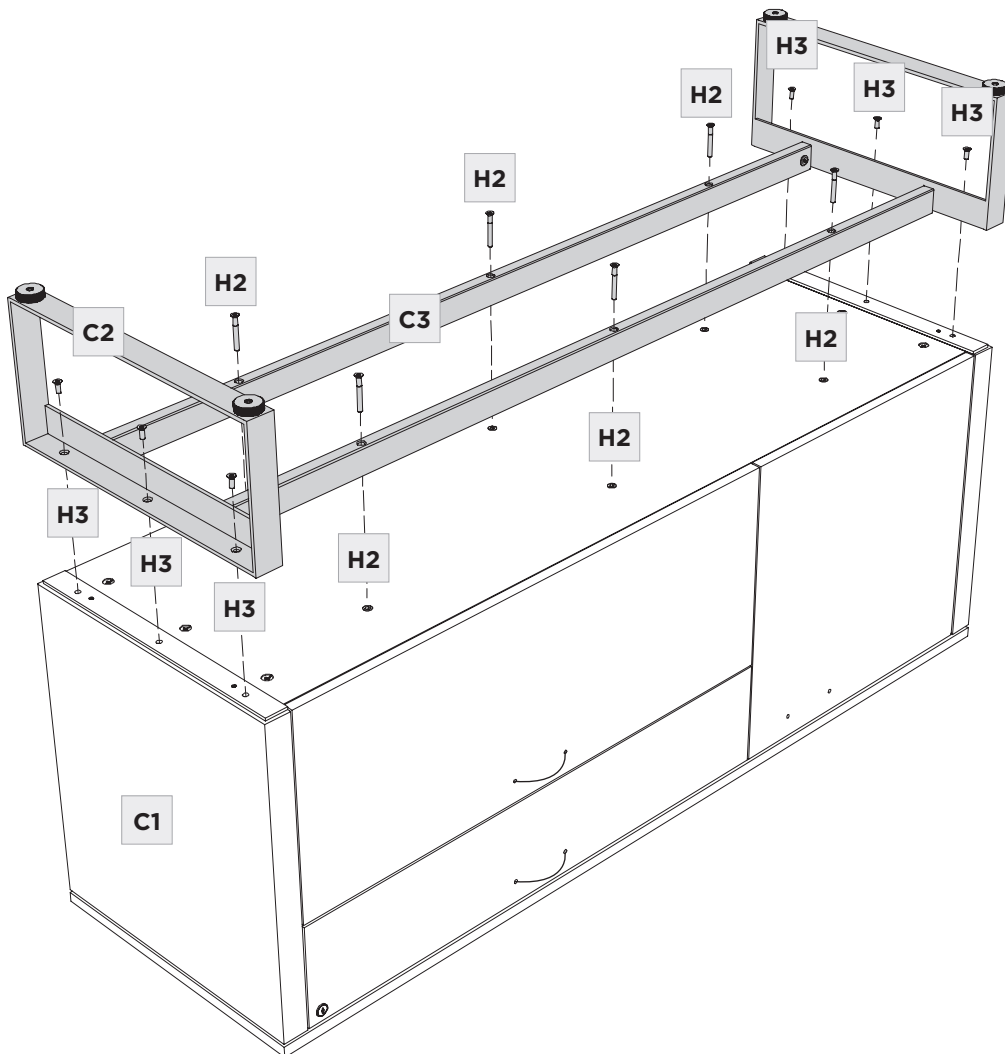
NOTE: Do not tighten until all the screws are in place.

Place the **Base** on the bottom side of the **(C1) Cabinet** and thread in **6 (H2) Screws** through the **(C3) Spanner Tubes** into the **(C1) Cabinet**.

Thread in **6 (H3) Screws** through the **(C2) Base Legs** into the **(C1) Cabinet**.

Use **(T1) Hex Wrench** to tighten all screws.

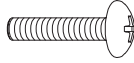

	PART/DESCRIPTION	QTY
	T1-HEX WRENCH	1
	H2-SCREW	6
	H3-SCREW	6

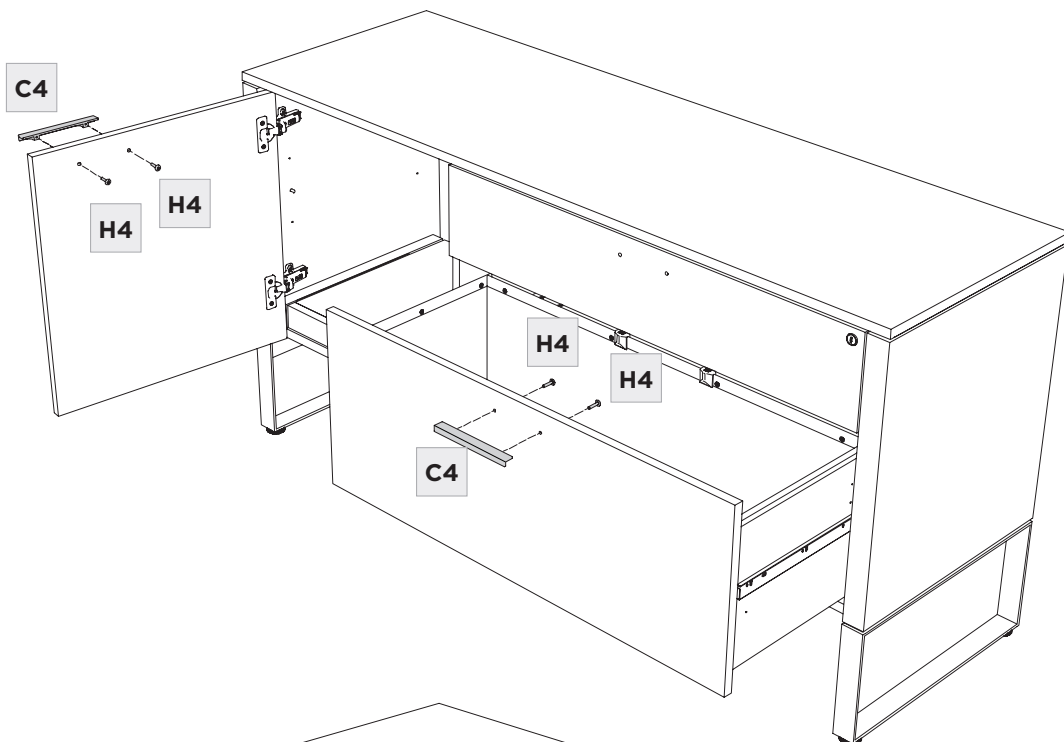




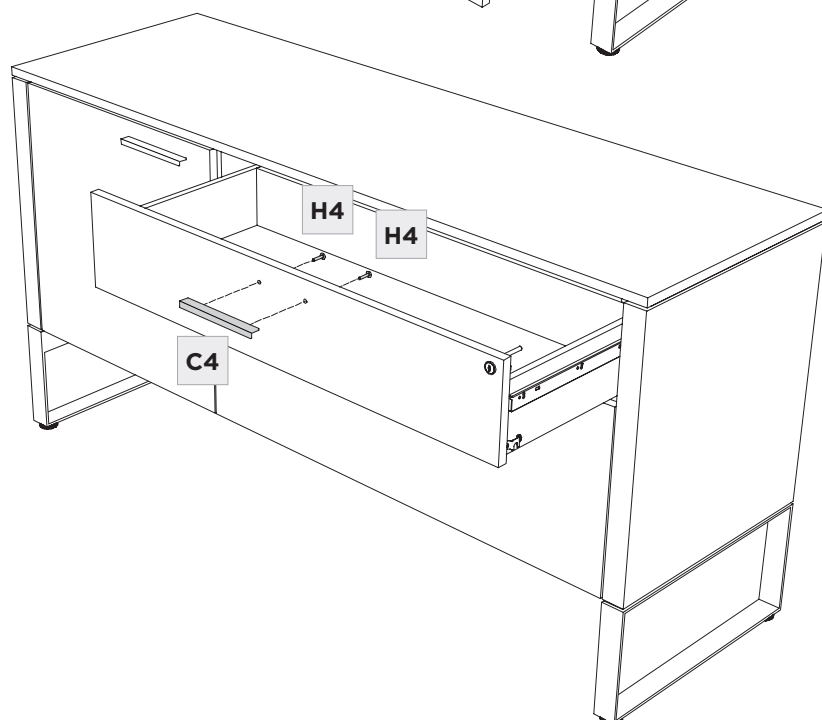
With help from another person, rotate the **Cabinet** upright onto its **Base**. Install door and bottom **(C4) Pulls** using **4 (H4) Screws** and a **#2 Phillips Head Screwdriver** (not included).

NOTE: Drawers have an interlocking mechanism to prevent both drawers from being open at the same time.

	PART/DESCRIPTION	QTY
	H4-SCREW	6
	NOT INCLUDED Phillips Screwdriver	1



Close the bottom drawer, then open the top drawer and install the **(C4) Pull**.



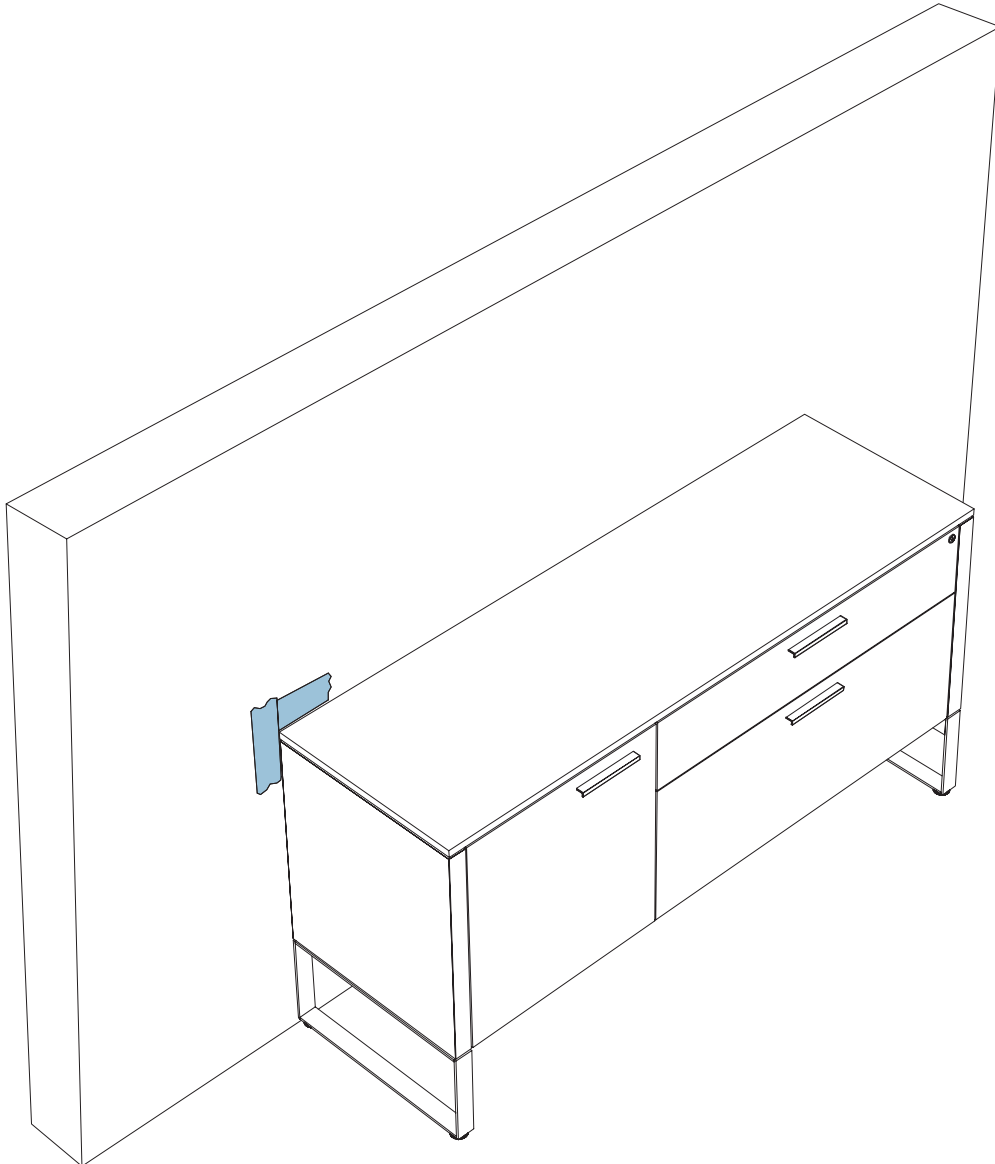
STEP 4. ANCHOR CABINET TO WALL

2 PERSON TASK



ASSEMBLY

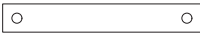


With the help from another person, carefully walk the cabinet into the desired position against the wall. It is **strongly recommended** that you anchor your Linea Multifunction to the wall using the provided **(H5) Anchor Strap**. Use painter's tape to mark the upper left corner of the unit, as shown.

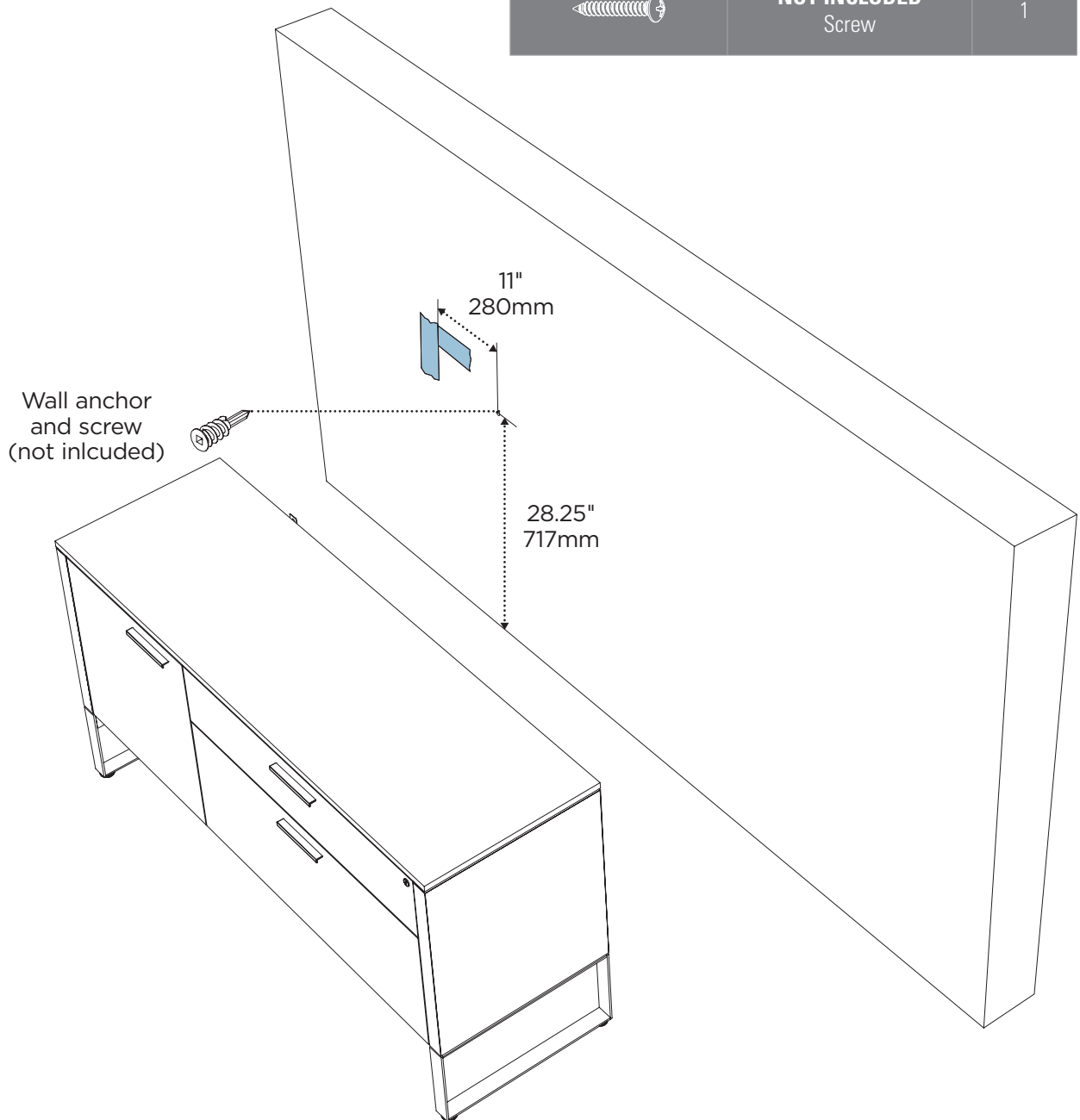




With help from another person, carefully move the cabinet away from the wall. Measure and mark the wall as shown.

Attach one end of the **(H5) Anchor Strap** to the wall at the marked location with an appropriate **wall anchor and screw (not included)**.

	PART/DESCRIPTION	QTY
	H5-ANCHOR STRAP	1
	NOT INCLUDED Wall Anchor	1
	NOT INCLUDED Screw	1



STEP 4. ANCHOR CABINET TO WALL (CONTINUED)

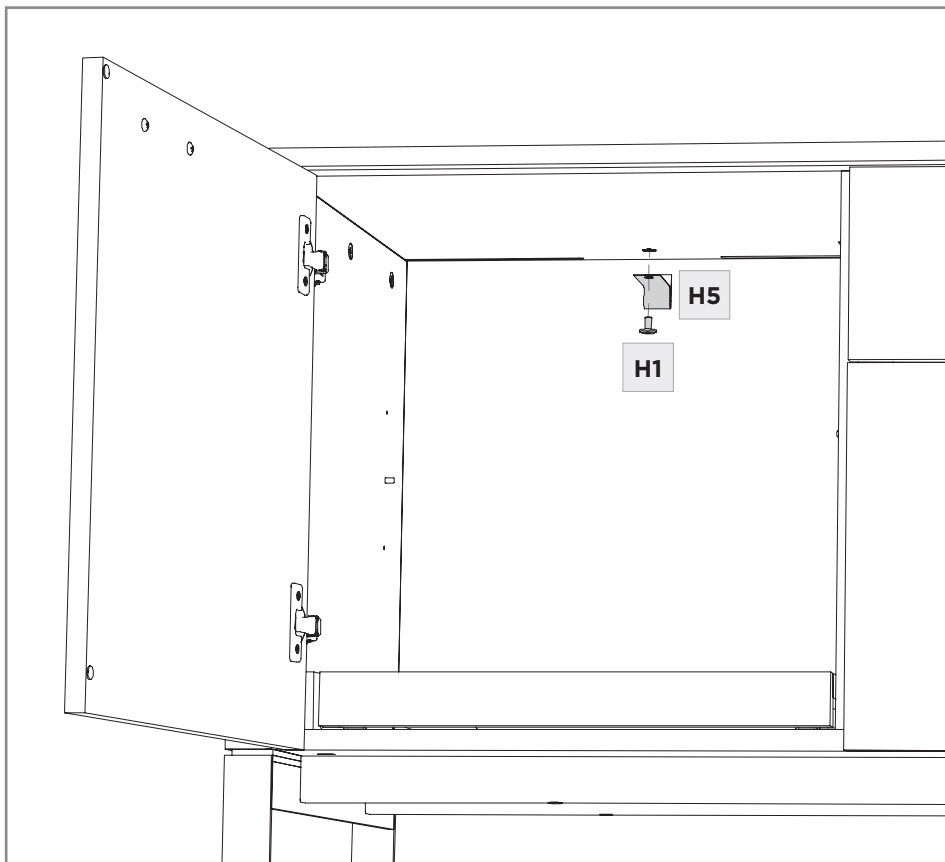
2 PERSON TASK



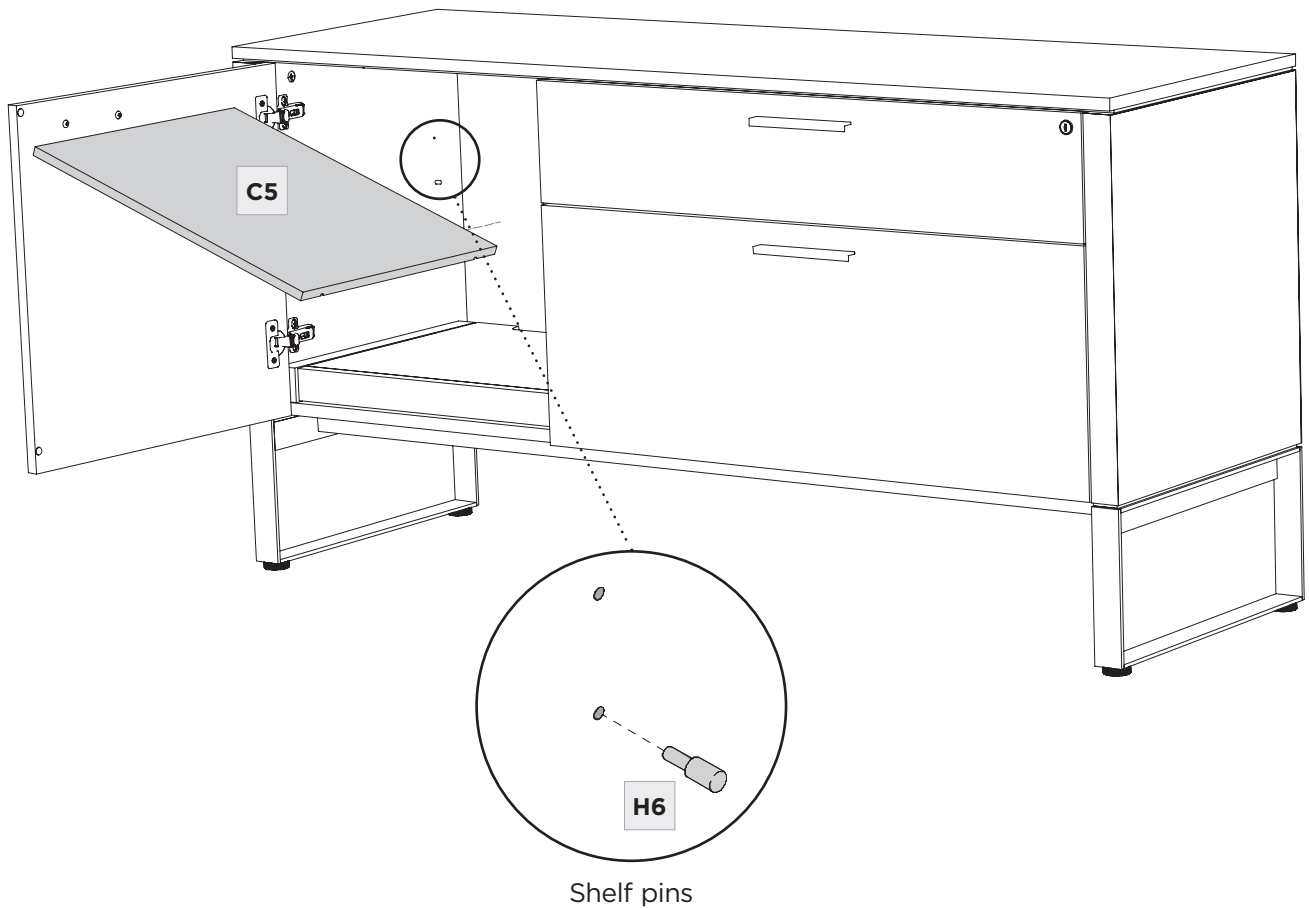
ASSEMBLY

Carefully move your Linea Multifunction close to the wall and attach the loose end of the **(H5) Anchor Strap** to the underside of the top panel going into the threaded inserts as shown with a **(H1) Screw**. Tighten with **(T1) Hex Wrench**.

	PART/DESCRIPTION	QTY
	T1-HEX WRENCH	1
	H1-SCREW	1



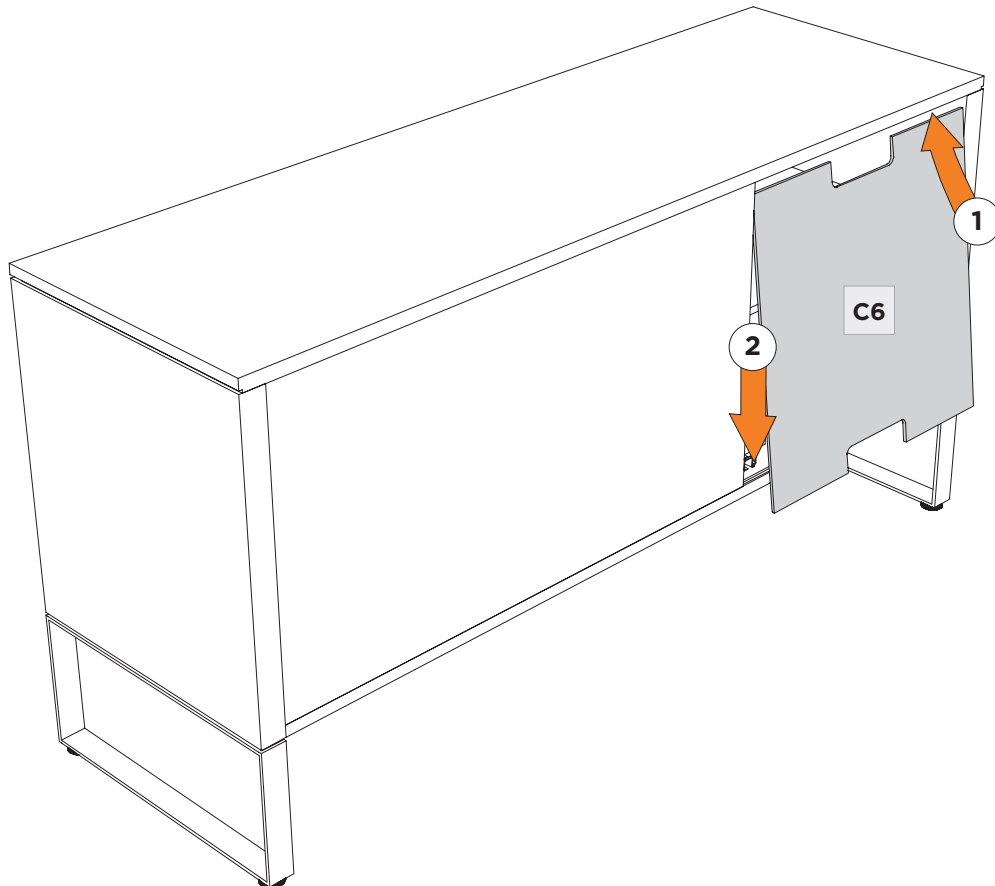
Install the **(C5) Adjustable Shelf**. You may adjust the **(C5) Adjustable Shelf** position by pulling the **4 (H6) Shelf Pins** out and relocating them.



STEP 6. INSTALL REMOVABLE BACK PANEL

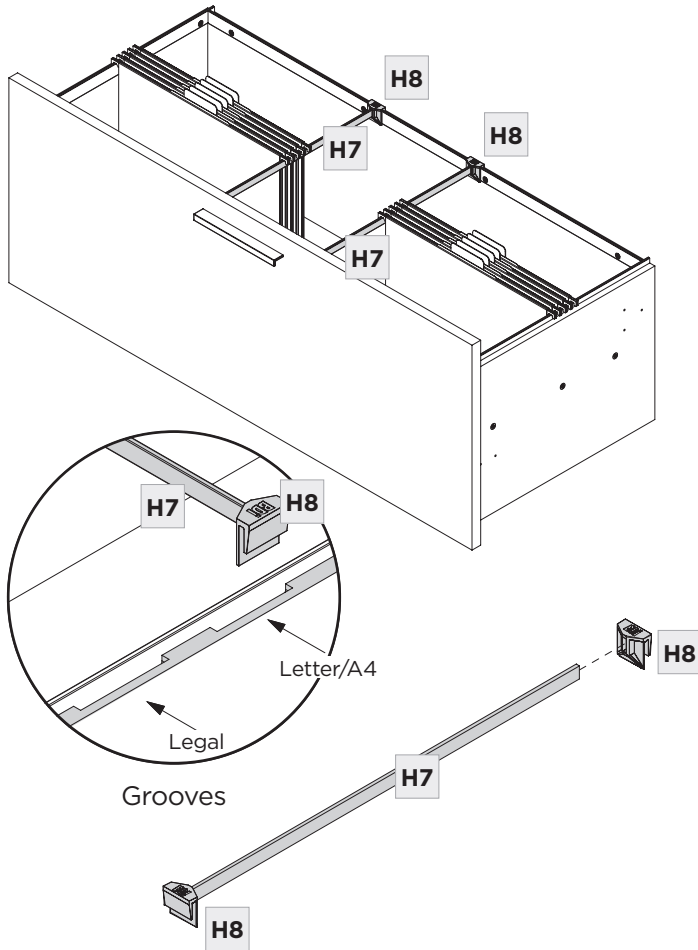
ASSEMBLY

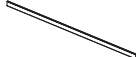

Install the **(C6) Removable Back Panel** by positioning the panel under the grooves on the underside of the cabinet top panel. Lift the **(C6) Removable Back Panel** up and position the bottom of the panel above the grooves in the cabinet bottom panel then drop the panel in place.



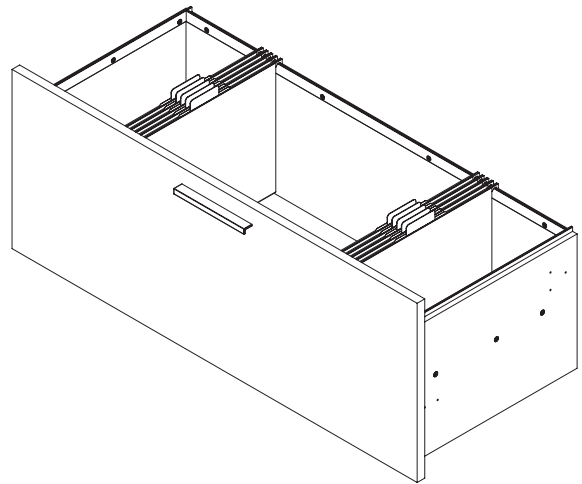
FINE TUNING

For forward facing files, attach **(H8) File Bar Clips** to each end of the **(H7) File Bars**. Slide the bars onto the rails so that the **(H8) File Bar Clip** goes into the **groove**.

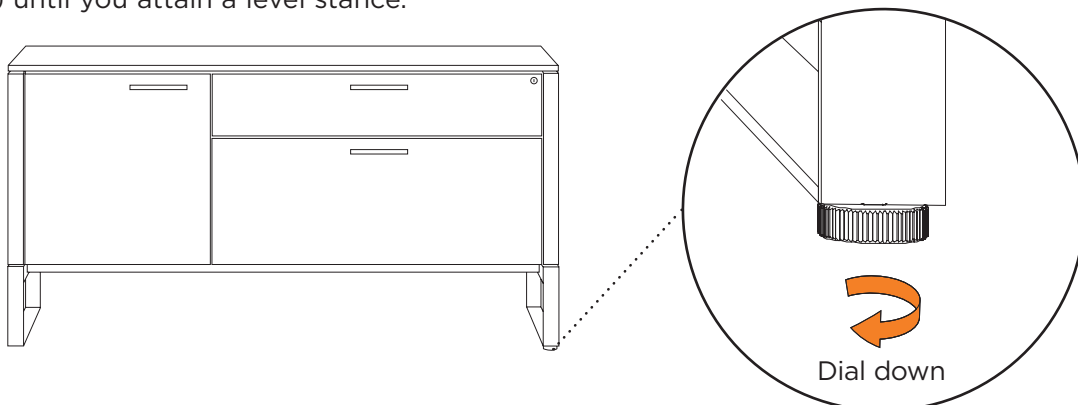


	PART/DESCRIPTION	QTY
	H7-FILE BAR	2
	H8-FILE BAR CLIP	4

For letter files facing sideways, skip this step altogether and hang file folders directly on front and back rails.



Your Linea Multifunction Cabinet is equipped with built-in levelers. Dial down one or more levelers (by hand) until you attain a level stance.



GLASS

The glass surface is maintained using household glass cleaner and a paper towel or cloth.

SATIN-ETCHED GLASS

This uniquely smooth-to-the-touch glass surface can be regularly maintained using household glass cleaner and a paper towel or cloth. Minor scratches or scuffs not eliminated using paper towel or cloth can usually be removed by using a 'Magic Eraser'. Magic Eraser is a melamine foam product available at any grocery store or home improvement center. Dampen the entire glass surface and the Magic Eraser, then rub the entire glass surface in broad, even strokes using moderate pressure. Clean and dry the surface with a paper towel. Check for results and repeat as necessary.

Any scratches or scuffing not eliminated by one of the above methods can often be addressed by 'refreshing' the glass. This is a process that should not be required more than once per 6-12 months. See this brief video for the simple method: www.bdiusa.com/glass

WOOD

Wood surfaces should be cleaned with a slightly damp (not saturated) cloth or paper towel. Do not use glass cleaner on wood. If moisture remains, dry the surface with another cloth. If needed, a gentle non-abrasive cleanser may be used, but be sure to wipe away all cleaner residue and dry the surface with a cloth.

BDI's wood finishes feature natural hardwood solids and veneers. Wood is a product of nature and—unlike man-made materials that can be manufactured to strict and consistent specifications—has natural imperfections that are part of its appeal and character. Every piece of wood differs from every other, even when coming from the very same tree. As such, variation in grain, texture and tone should be expected from one panel or piece of furniture to the next.

While BDI's stained wood finishes are stable in tone & appearance, all finishes are subject to some degree of discoloration with prolonged exposure to direct sunlight. Please take care to avoid positioning your BDI cabinet in any area with extensive direct sunlight. To learn more about the features of natural wood, visit www.bdiusa.com/wood

METAL & PAINTED SURFACES

Surfaces should be cleaned with a slightly damp (not saturated) cloth or paper towel. If moisture remains, dry the surface with another cloth. If needed, a gentle non-abrasive cleanser may be used, but be sure to wipe away all cleaner residue and dry the surface with a cloth.

WARRANTY

BDI warrants to the original purchaser that for the below-stated warranty term, BDI will repair or replace any product, part, or component covered by this warranty that fails under normal use as a result of a defect in material or workmanship. BDI will repair or replace the aforementioned product, part or component with a comparable product, part or component. The decision to repair or replace will be at BDI's sole discretion.

BDI Home Theater Furniture, Office Furniture, Modular Systems, Tables, and other furniture pieces are warranted for three (3) years from the date of purchase as shown on your sales receipt. The warranty period starts from the date of purchase. This warranty extends only to the original purchasers who acquire new products from BDI Authorized Resellers. Any product, part, or component must have been assembled, installed, used, and maintained according to BDI's published instructions to be eligible for warranty coverage. Any modification to the original product voids the warranty.

To view BDI's complete warranty information, visit www.bdiusa.com/warranty

PRODUCT REGISTRATION

Registering your new BDI product allows us to send you important product updates, service information, and helpful hints related to your BDI products. Register today, and you will be entered to win free a BINK table from BDI: www.bdiusa.com/register



WARNING

SERIOUS OR FATAL CRUSHING INJURIES CAN OCCUR FROM FURNITURE TIP-OVER. TO HELP PREVENT TIP-OVER:

- Install tip-over restraint.
- Place heaviest items in lower compartments.
- Never allow children to climb or hang on drawers, doors, or shelves.
- Never open more than one drawer at a time.

USE OF TIP-OVER RESTRAINT MAY REDUCE—BUT NOT ELIMINATE—THE RISK OF TIP-OVER.

BDi

BDIUSA.COM

These distinctive product configurations are protected by US and international patents, trade dress, and/or copyright laws. Linea & BDi are trademarks of Becker Designed, Inc. All rights reserved. ©2021, BDI | V.08.02.2021

Made in Vietnam.