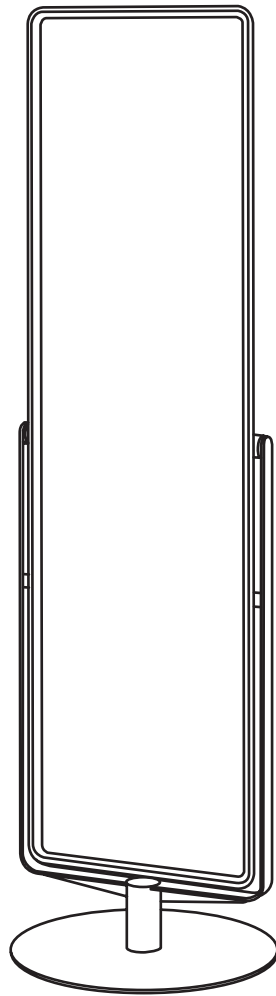


CONTINUUM™ 3472

STANDING MIRROR

INSTRUCTION MANUAL

LET'S GET STARTED.



DESIGN MATTHEW WEATHERLY

BDi

BDIUSA.COM

Congratulations on the purchase of your Continuum Mirror from BDI. Your mirror has been designed to provide a lifetime of enjoyment. This manual will provide assembly instructions and other helpful information to ensure you get the most out of your product. Please save it for future reference.

Your Continuum Mirror has been engineered for simple assembly. Please follow these directions carefully to prevent any damage.

Should you need further assistance, contact BDI at customerservice@bdiusa.com.

ENJOY!



HARDWARE AND COMPONENTS

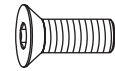
Unpack and identify the parts listed below. The assembly workspace should be a non-marring surface, such as carpet. For missing hardware pieces, please contact BDI Customer Service at customerservice@bdiusa.com. For all other concerns, please contact your BDI retailer.

Do not use power tools for the assembly of this product.



Hex Wrench (T1)

QTY: 1



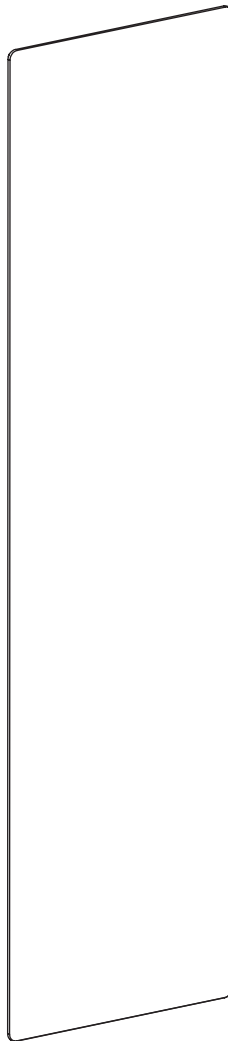
Screw M6 x 16 (H1)

QTY: 3



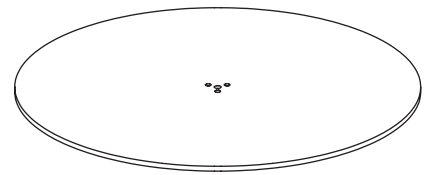
Mirror Frame (C1)

QTY: 1



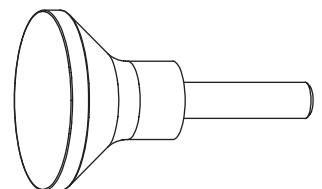
Mirror (C3)

QTY: 1



Base (C2)

QTY: 1



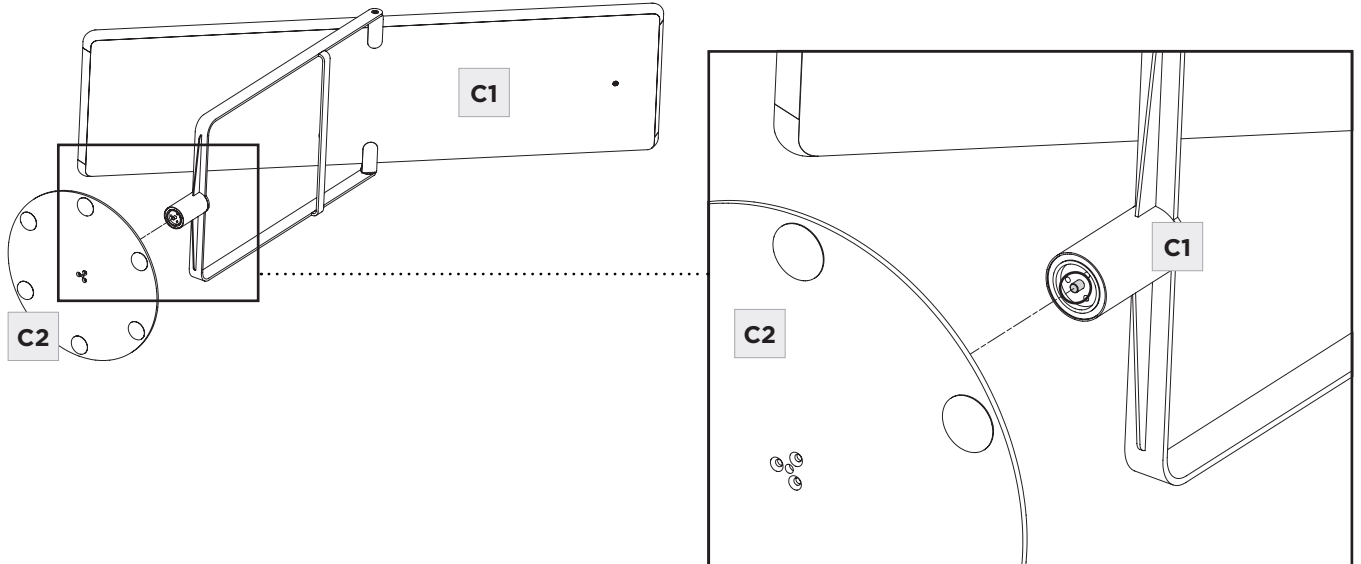
Knob (C4)

QTY: 1

ASSEMBLY

STEP 1. HANG BASE to MIRROR FRAME

Lay the preassembled **Mirror Frame (C1)** on its side, putting the frame at an angle so it is stable. Hang the **Base (C2)** onto the stud projecting out from the Mirror Frame (C1).

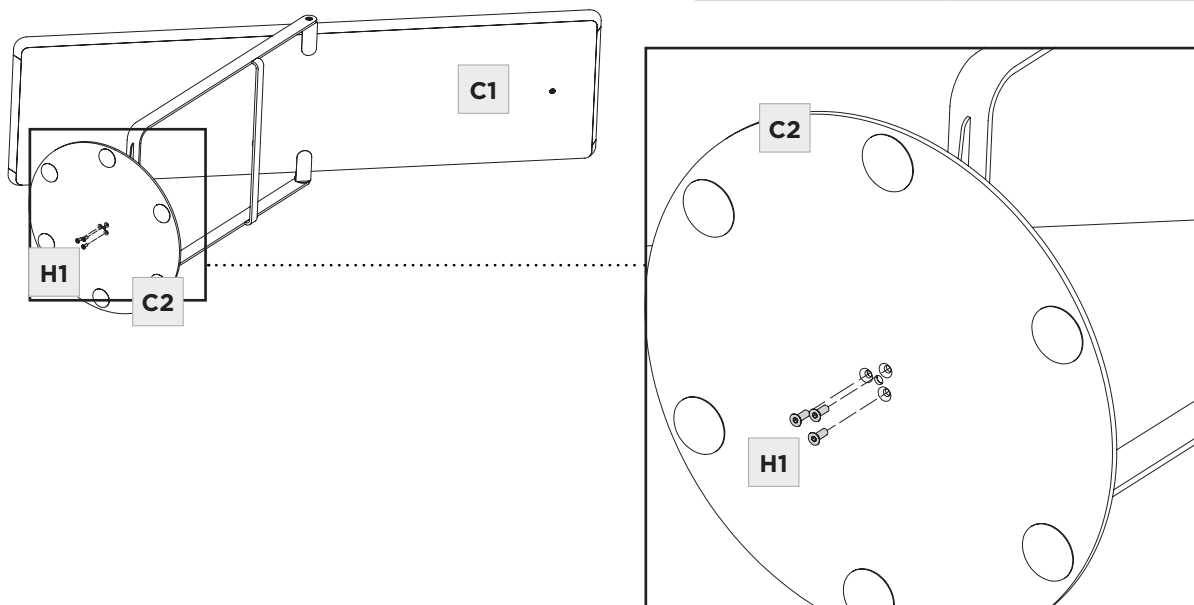


ASSEMBLY

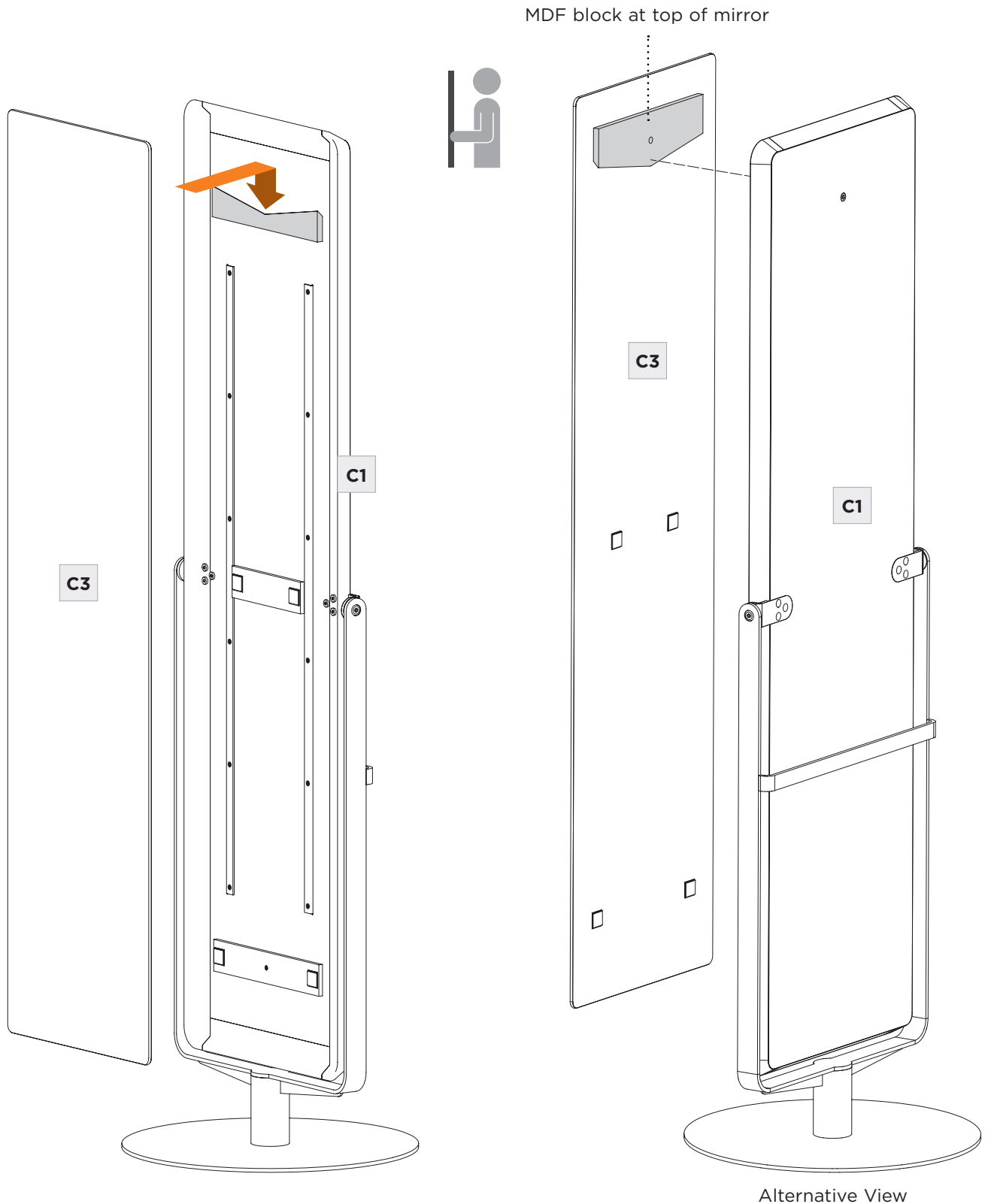
STEP 2. ATTACH BASE to MIRROR FRAME

Keeping one hand on the **Base (C2)** to prevent it from falling, rotate the Base until the screw holes line up. Insert **3 Screws (H1)** and tighten with **Hex Wrench (T1)**. Carefully stand up mirror.

	HEX WRENCH – T1	QTY 1
	SCREW – H1	QTY 3



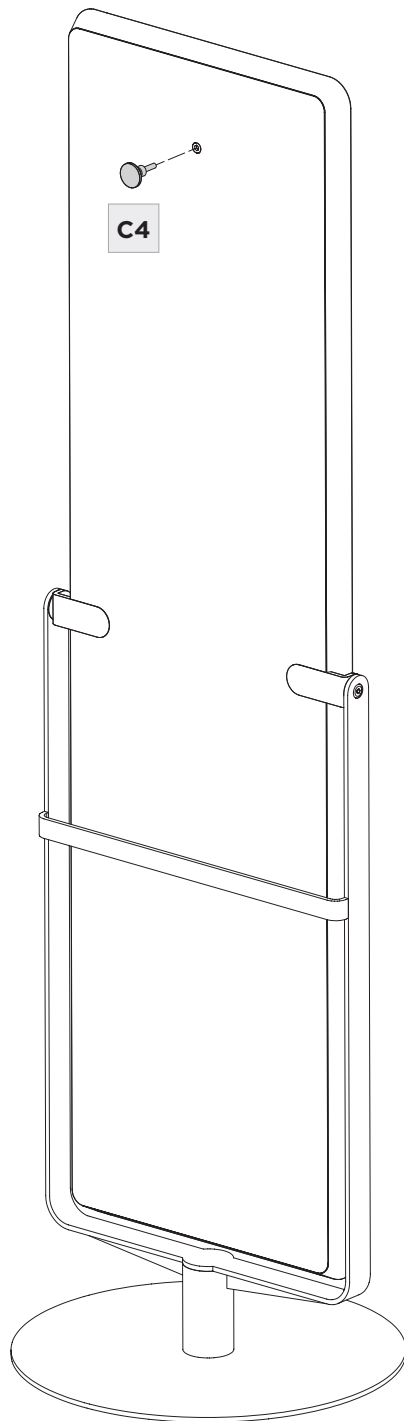
With the help of another person holding the **Mirror Frame (C1)**, attach the **Mirror (C3)** by placing it against the **Mirror Frame (C1)** and slowly sliding it down until the cleats engage. Once the Mirror is attached, apply slight pressure to the middle and lower sections of the mirror to ensure that the Hook and Loop strips are secured.



ASSEMBLY

STEP 4. ATTACH KNOB

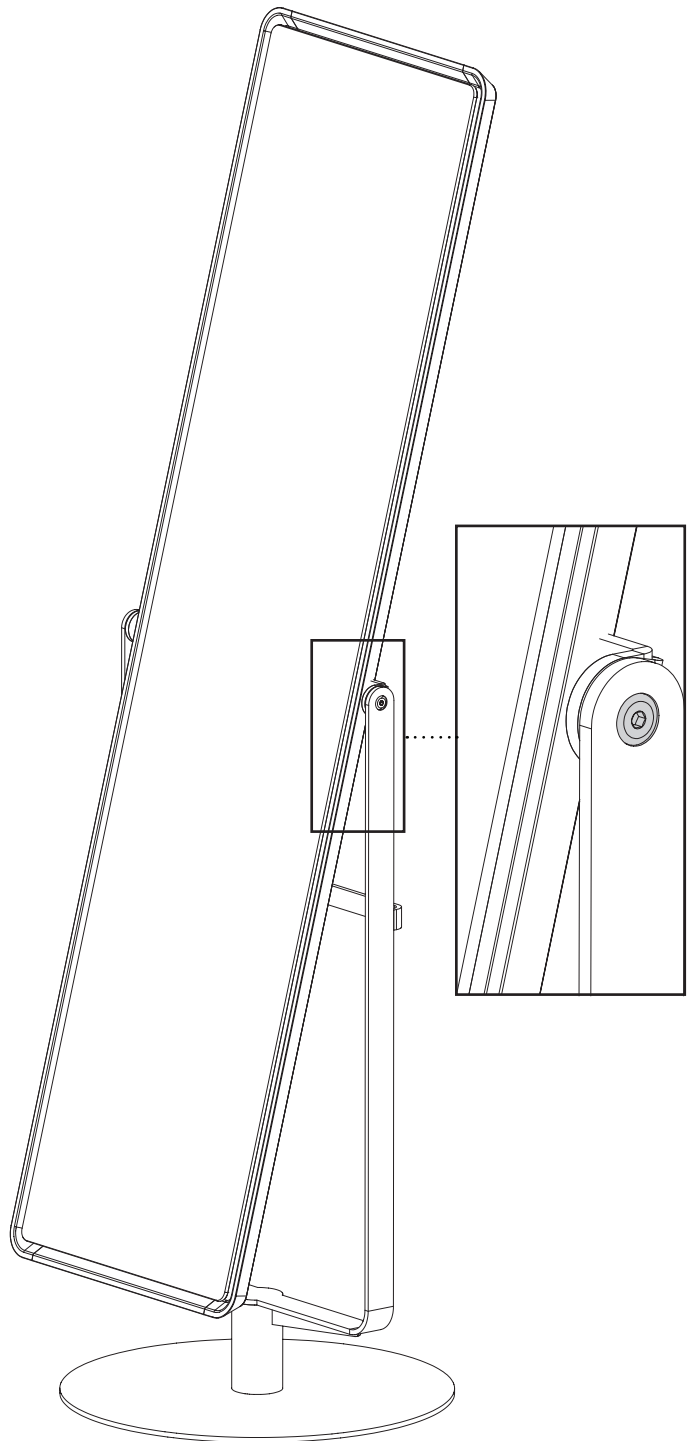
Thread the **Knob (C4)** into the threaded insert in the back of the **Mirror Frame (C1)**. This **Knob (C4)** locks the mirror in place, and may be used to hang articles of clothing.



FINE TUNING

ADJUSTING THE MIRROR FRAME

Keep the **4mm Hex Wrench (T1)** to keep the swivel mechanism tight in case it loosens over time.



Your BDI furniture has been constructed with the finest materials, carefully manufactured, and designed to last a lifetime. Regular furniture care will prolong your enjoyment and keep it looking its best. Here are some general tips for taking care of BDI furniture. Your surfaces may vary.

GLASS

Glass surfaces are maintained using household glass cleaner and a paper towel or cloth.

SATIN-ETCHED GLASS

This uniquely smooth-to-the-touch glass surface can be regularly maintained using household glass cleaner and a paper towel or cloth.

A 'Magic Eraser' removes minor scratches or scuffs not eliminated using a paper towel or cloth. 'Magic Eraser' is a melamine foam product available at any grocery store or home improvement center. Dampen the entire glass surface and the Magic Eraser, then rub the whole surface in broad, even strokes using moderate pressure. Clean and dry the surface with a paper towel. Check for results and repeat as necessary. Any scratches or scuffing not eliminated by one of the above methods can often be addressed by 'refreshing' the glass. This process should not be required more than once per 6-12 months. See this brief video for the simple method: www.bdiusa.com/glass

WOOD

Wood surfaces should be cleaned with a slightly damp (not saturated) cloth or paper towel. Do not use glass cleaner on wood. If moisture remains, dry the surface with another cloth. If needed, a gentle, non-abrasive cleanser may be used, but wipe away all cleaner residue and dry the surface with a cloth.

BDI's wood finishes feature natural hardwood solids and veneers. Wood is a product of nature and—unlike man-made materials that can be manufactured to strict and consistent specifications—has natural imperfections that are part of its appeal and character. Every piece of wood differs from every other, even when coming from the very same tree. As such, grain, texture, and tone variation should be expected from one panel or piece of furniture to the next.

While BDI's stained wood finishes are stable in tone & appearance, all finishes are subject to some degree of discoloration with prolonged exposure to direct sunlight. Please avoid positioning your BDI cabinet in any area with ample direct sunlight. To learn more about the features of natural wood, visit www.bdiusa.com/wood

METAL, PORCELAIN, & PAINTED SURFACES

Surfaces should be cleaned with a slightly damp (not saturated) cloth or paper towel. If moisture remains, dry the surface with another cloth. If needed, a gentle, non-abrasive cleanser may be used, but be sure to wipe away all cleaner residue and dry the surface with a cloth.

WARRANTY

BDI warrants to the original purchaser that for the below-stated warranty term, BDI will repair or replace any product, part, or component covered by this warranty that fails under everyday use due to a defect in material or workmanship. BDI will repair or replace the product mentioned above, part, or component with a comparable product, part, or component. The decision to repair or replace will be at BDI's sole discretion.

BDI furniture is warranted for three (3) years from the date of purchase, as shown on your sales receipt. The warranty period starts from the date of purchase. This warranty extends only to the original purchasers who acquire new products from BDI Authorized Resellers. To be eligible for warranty coverage, any product, part, or component must have been assembled, installed, used, and maintained according to BDI's published instructions. Any modification to the original product voids the warranty.

To view BDI's complete warranty information, visit www.bdiusa.com/warranty

PRODUCT REGISTRATION

Registering your new BDI product allows us to send you important product updates, service information, and helpful hints related to your BDI products. Register today, and you will be entered to win free a BINK table from BDI: www.bdiusa.com/register



BDIUSA.COM

These distinctive product configurations are protected by US and international patents, trade dress, and/or copyright laws. Continuum & BDI are trademarks of Becker Designed, Inc. All rights reserved. ©2023, BDI | V.08.18.2023

Made in Vietnam.