

Instructions for Astrid Beds



Please identify the listed items before installation.

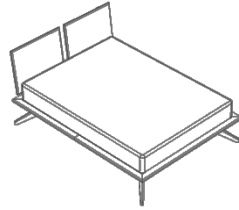
Hardware included:

- ¼ - 20 x 20mm hex bolts (4)
- ¼ - 20 x 35mm hex bolts(48)
- ¼ - 20 x 50mm hex bolts(8)
- Allen wrench (1)
- Cross nuts (4, w/ headboard)

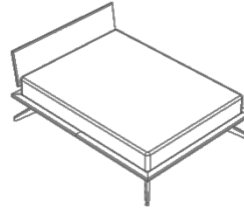
- ¼" – 20 x 80mm hex bolts (4, w/ headboard)
- Paraffin wax stick (1)

Components included:

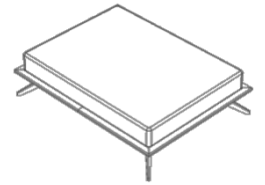
- Support leg assembly(1)
- Base assemblies (2)
- Support leg plate (1)
- Joining plates (2)
- Single / Split HDBD (1/2)
- HDBD deck ASM (1)
- FTBD deck ASM (1)



Astrid bed with Split headboard
King Queen Cal King



Astrid bed with Single headboard
King Queen Cal King



Astrid bed with-out headboard
King Queen Cal King

Tools required | Allen wrench

Notice: Beds must be disassembled before moving to avoid damage. Never attempt to move the bed while it is assembled. Failure to do so would void the warranty.



Step 1: attach the base assemblies

Unpack the bed parts onto a soft, level surface. Put the *base subassemblies* upside down on the floor, facing each other. Attach the *support leg plate* to the *middle support rails* with ¼" – 20 x 35mm hex bolts (**Figure 1-1**). Attach the *middle leg assembly* with ¼ - 20 x 20mm hex bolts (**Figure 1-2**) to the support leg plate.

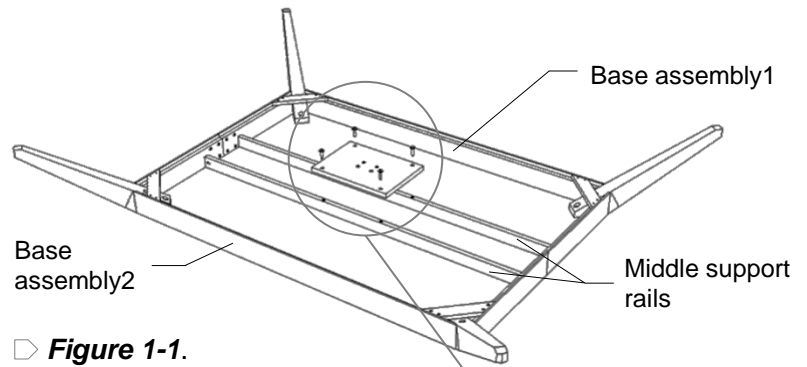


Figure 1-1. Install the support leg plate

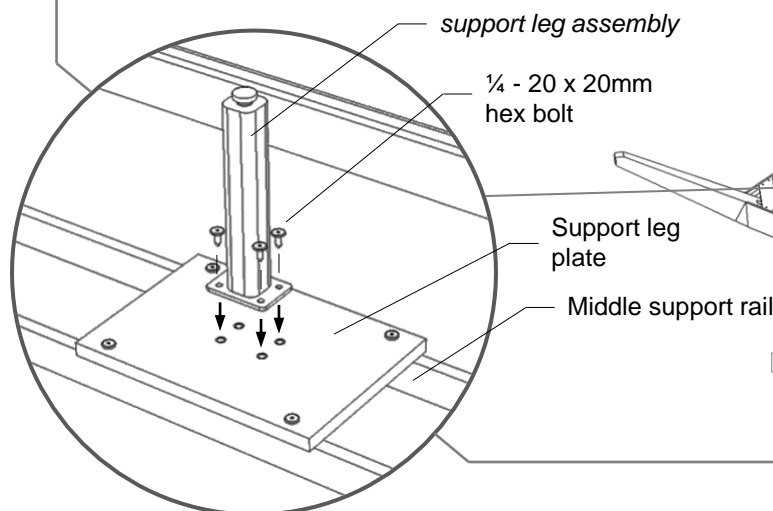


Figure 1-2. Install the support leg assembly

Step 2: Install the base *joining plates*

Connect two base assemblies with joining plates. Attach the joining plates with $\frac{1}{4}$ - 20 x 35mm hex bolts (**Figure 2**). After the base units are joined, flip over the *base* and retract the middle leg leveler slightly so that it only make contact with the floor when weight is applied to the fully assembled bed.

Joining plate

Base assembly1

Middle leg

Base assembly2

▷ **Figure 2.** Connect the base assemblies

Headboard deck side

End dowel on headboard deck side

Step 3: Align decks with the base

Position the two deck assemblies on top of the base, aligning the hole patterns of the deck with those in the base (**Figure 3**). Headboard and footboard decks can be aligned to each other with the *end dowels*

Headboard deck

Footboard deck

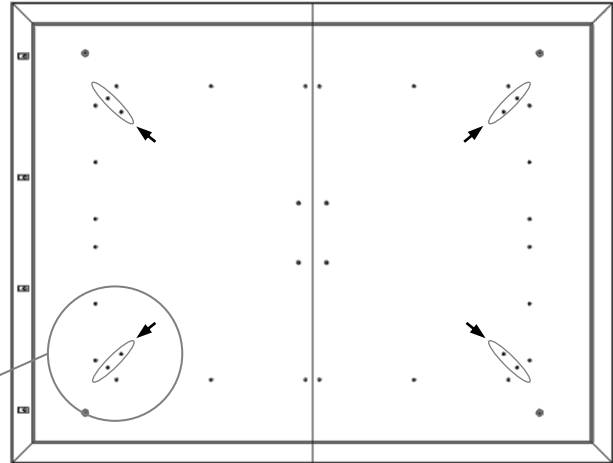
Base

Headboard deck

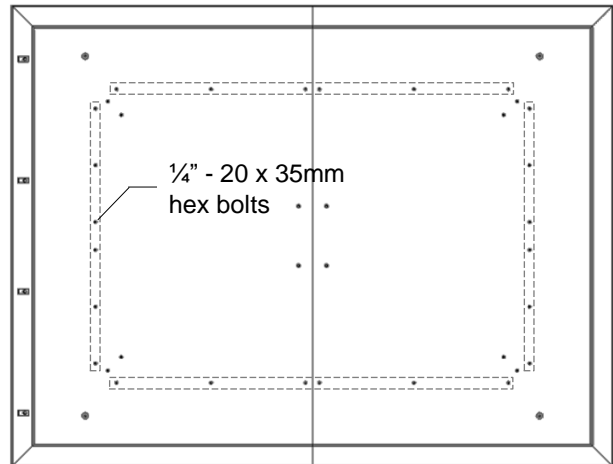
▷ **Figure 3.** align the hole patterns of the deck with those of the base

Step 4: Insert the 50mm hex bolts

Insert $\frac{1}{4}$ " - 20 x 50mm hex bolts in each of the eight corner locations (**Figure 4, arrows**). Do not fully tighten bolts. **It is CRITICALLY IMPORTANT that the 50MM HEX BOLTS are properly seated in the EIGHT locations illustrated in Figure 4. Inserting the incorrect bolts or not installing any bolts into these locations could result in product FAILURE.**



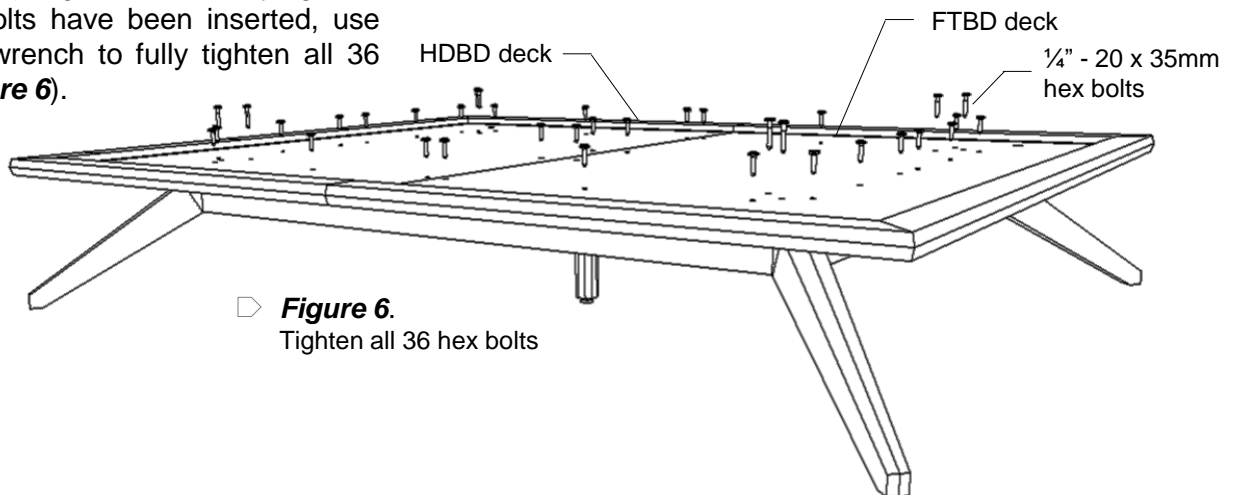
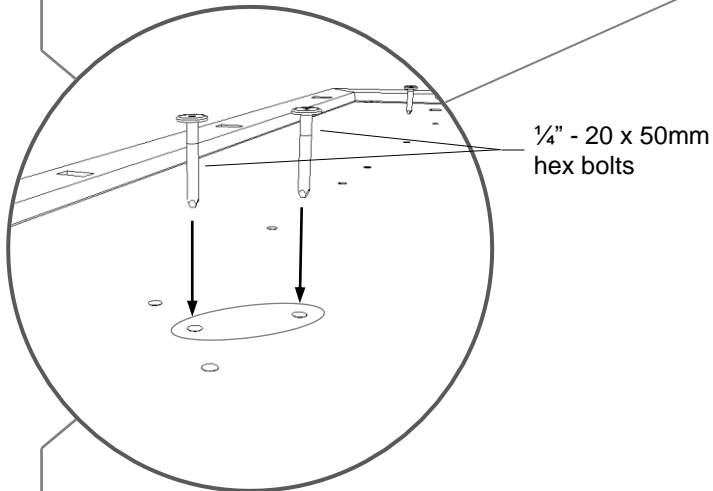
▷ **Figure 4.** Insert 50mm hex bolts in corner locations



▷ **Figure 5.** Insert 35mm hex bolts in 28 remaining locations

Step 5: Insert the 35mm hex bolts

Insert the 28 remaining $\frac{1}{4}$ " - 20 x 35mm hex bolts in the remaining locations on the decks (**Figure 5, squares with hidden lines**). Again, do not fully tighten. After all bolts have been inserted, use the Allen wrench to fully tighten all 36 bolts (**Figure 6**).

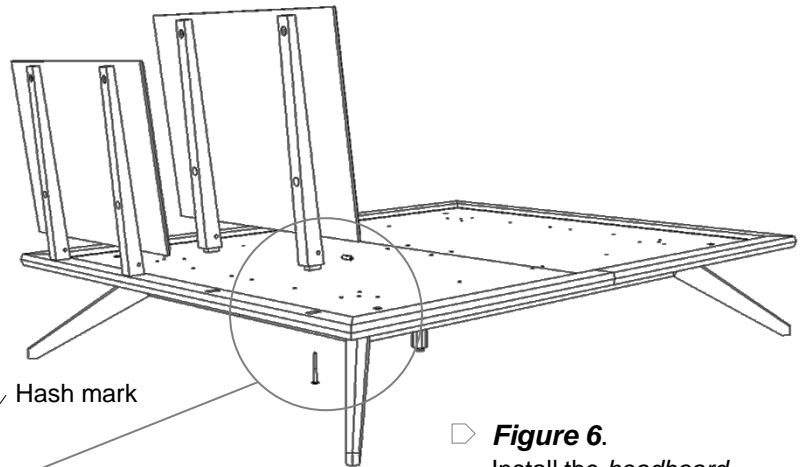


▷ **Figure 6.** Tighten all 36 hex bolts

If you ordered Astrid bed without the headboard, your bed is fully assembled. The following steps are for the bed with headboard(s)

Step 6: Place *headboard assembly*

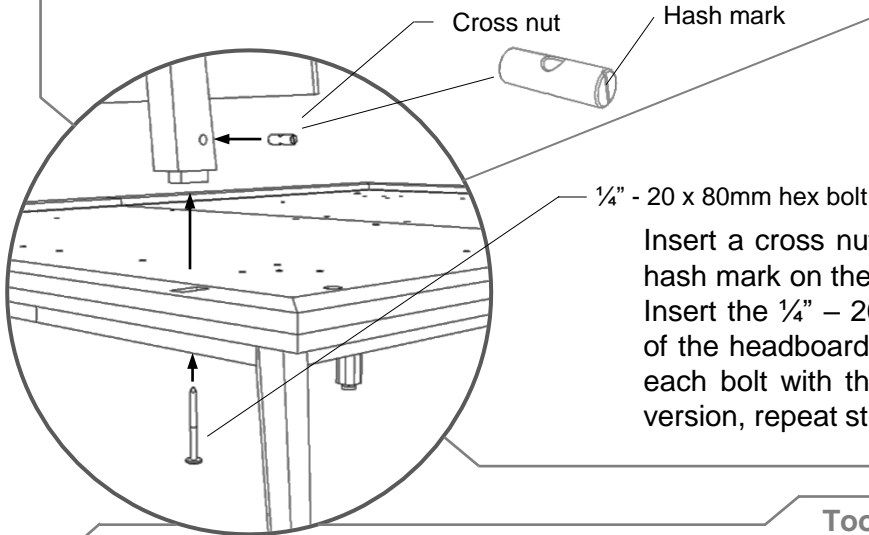
Slightly loosen all hex bolts on the back of the headboard assembly(s). Bolts must be loose before proceeding. Insert the vertical headboard braces onto the pockets of the deck (for split headboard, the brace with the mark should be positioned toward the center of the bed). This will be a snug fit.



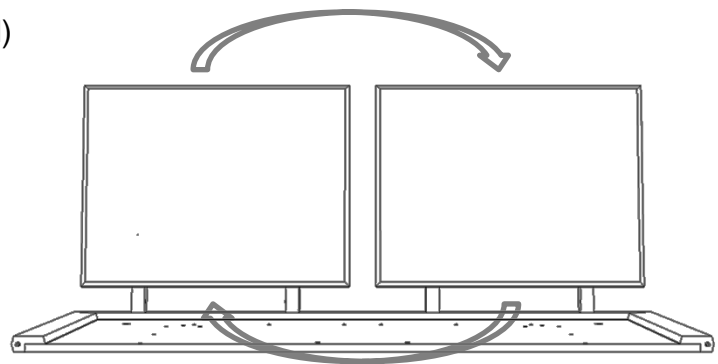
► **Figure 6.**
Install the *headboard*

Step 7: Install *headboard assembly*

Insert a cross nut into each of the headboard uprights. The hash mark on the front of the nut should be aligned vertically. Insert the 1/4" – 20 x 80mm hex bolts through the underside of the headboard deck and into the cross nuts. Fully tighten each bolt with the Allen wrench. For the single headboard version, repeat step 6 and 7.

**Step 7:** Adjust headboard height (optional)

Your Astrid headboard may be positioned in two heights depending on the thickness of the mattress used. The bed comes packaged with the headboard in the lower position. To adjust the height, use the Allen wrench to unscrew all the bolts at the back of each headboard panel. By rotating the panels 180 degrees you will add and extra 4" of height to the headboard (**Figure 7**). To reattach, begin but do not fully tighten all bolts in each of the two panels. After all bolts have been started, use the Allen wrench to fully tighten all locations.



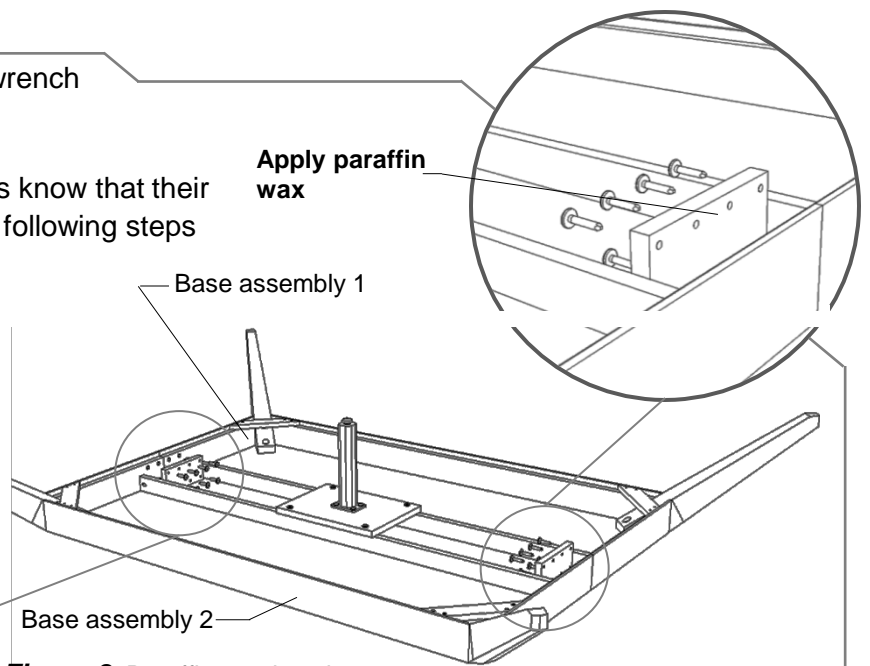
◁ **Figure 7.** Adjust headboard height

Note on Split Headboard Version – In order to preserve the continuity of the wood grain across the two panels, be sure to rotate them as if they were a single panel as in the diagram.



Note: On occasion customers have let us know that their Astrid bed is noisy. We have found that the following steps should address this issue.

1. Verify that the bed is correctly assembled. Please check that all fasteners are in place per the instruction sheet and that they are hand tightened/snugged. Critically important are the fasteners between the deck and base (especially those going through the deck and into the legs) and at the two joining plates that secure the two deck halves.



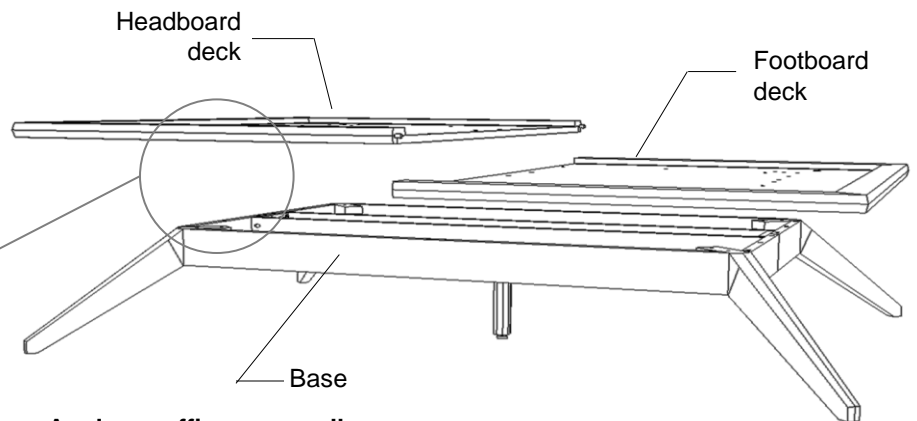
▷ **Figure 8.** Paraffin wax locations

Apply paraffin wax

2. Verify that the center leg is not overextended and causing the bed to rock. A properly set levelling leg will be extended to touch the floor and then backed off very slightly so that a piece of paper can slip under it.

3. Verify that there is a small gap where the two deck halves meet and that the two deck halves are not rubbing together. It is OK for the trim on the edges of the deck halves to contact each other.

4. Apply the supplied paraffin wax stick to the base surfaces and joining plate faces that contact the base rail surface as shown in **Figures 8 and 9**. This will require that the bed is disassembled and the two deck halves are removed.



Apply paraffin wax on all base rail surfaces

▷ **Figure 9.** Paraffin wax locations

Care Instructions

To care for and preserve the finish on your new Copeland Furniture piece, please keep the following recommendations in mind.

- While our furniture has been finished with a durable top coat, the surface may be sensitive to dents and abrasions during the first 30 days in your home.
- Treat the surface finish gently so it does not dent or chip. Tape or stickers should not be put on the finish.
- For general care use a soft cloth to dust the furniture.
- Use damp cloth with a mild soap to clean-up spills or dirt. Dry the surface thoroughly.
- Please do not use any polishes, waxes or solvents to clean the surface of the furniture. This holds true for new Copeland Furniture pieces as well as items you may already have in your home.
- Please do not place any candles directly on the surface of your furniture. The perfumes and dyes in the candles may penetrate the finish.
- Beds must be disassembled before moving to avoid damage. Never attempt to move the bed while it is assembled.

Special Care Instructions for Cherry Furniture

Please read the following if you have purchased a Copeland product in cherry. Furniture that has been crafted from cherry wood becomes darker with age. The change in color, from a reddish tan to a reddish brown, is most noticeable during the first six months of ownership. It is important to understand that exposure to light accelerates the natural oxidization process. An object left on a cherry wood surface for an extended period of time may retard the aging process in a limited area. Simply remove the object and, over time, the surface will attain a uniform reddish brown color.

