

# SIGMA™ 6917 MULTIFUNCTION CABINET

bdiusa.com  
customerservice@bdiusa.com



## Product Registration

Registering your new BDI product allows us to send you important product updates, service information and helpful hints related to your BDI products. Register today and you will be entered to win free a BINK table from BDI. [www.bdiusa.com/product-registration/](http://www.bdiusa.com/product-registration/)

## Placement and Maintenance

Sigma™ Office furniture is designed for indoor use on level floors. Clean glass with glass cleaner and other surfaces with a moist cloth.

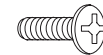
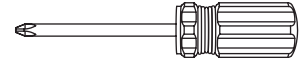
Your Sigma™ Office furniture is engineered for easy assembly. Carefully follow this procedure to prevent any damage. Do not use power tools for assembly of this product.

## Step 1

Unpack and identify the parts listed below. The assembly workspace should be a non-marring surface such as carpet. For missing hardware pieces, please contact BDI Customer Service at: [customerservice@bdiusa.com](mailto:customerservice@bdiusa.com). For all other concerns, please contact your BDI retailer.

### Tool Required:

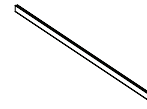
Phillips Screwdriver



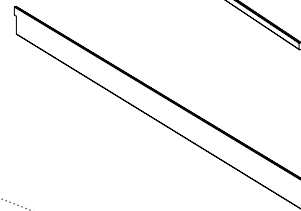
**H1** Phillips M4  
Screw x 20



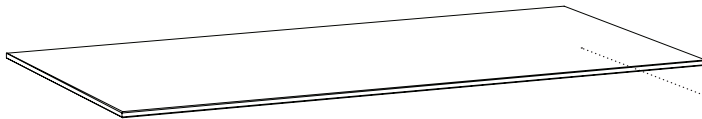
**C6** File Bar Clip x 6



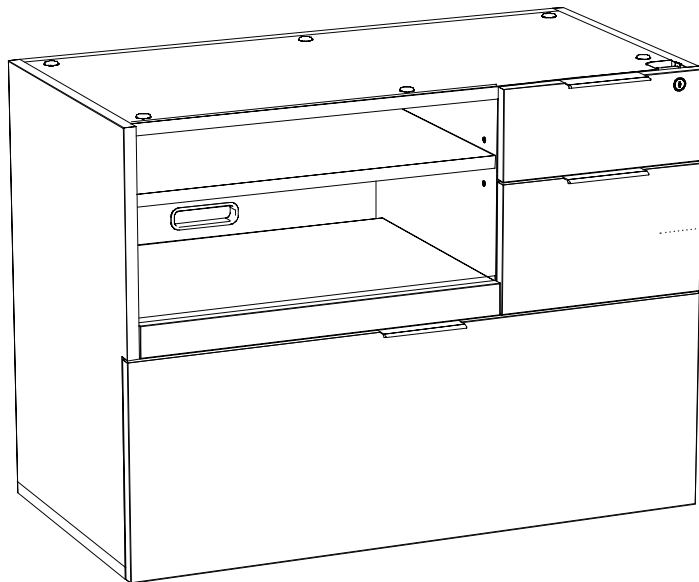
**C4** Small File Bar x 2



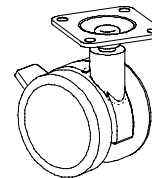
**C5** Large File Bar x 1



**C1** Glass Top x 1



**A1** Cabinet x 1

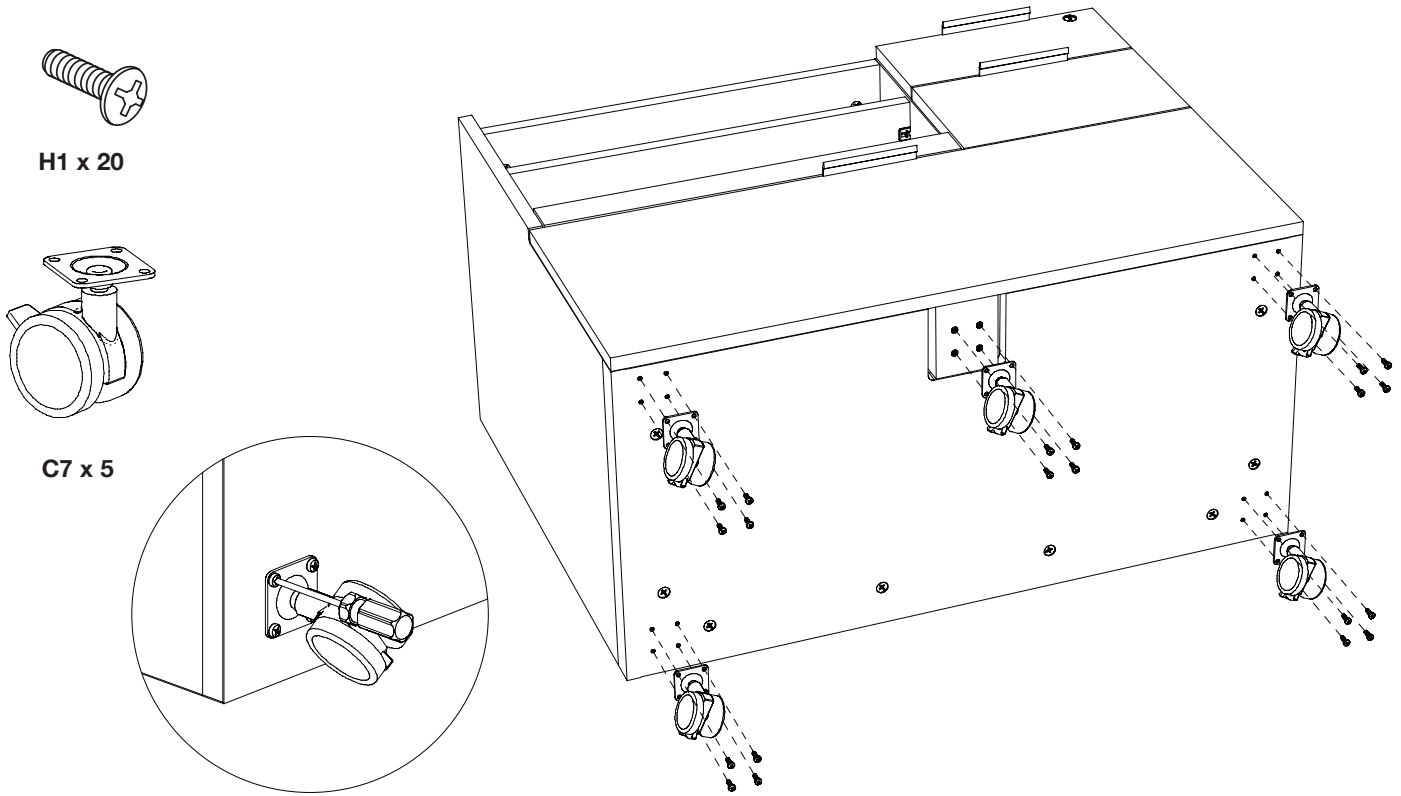


**C7** Swivel Caster  
x 5

Designed by BDI Studio.

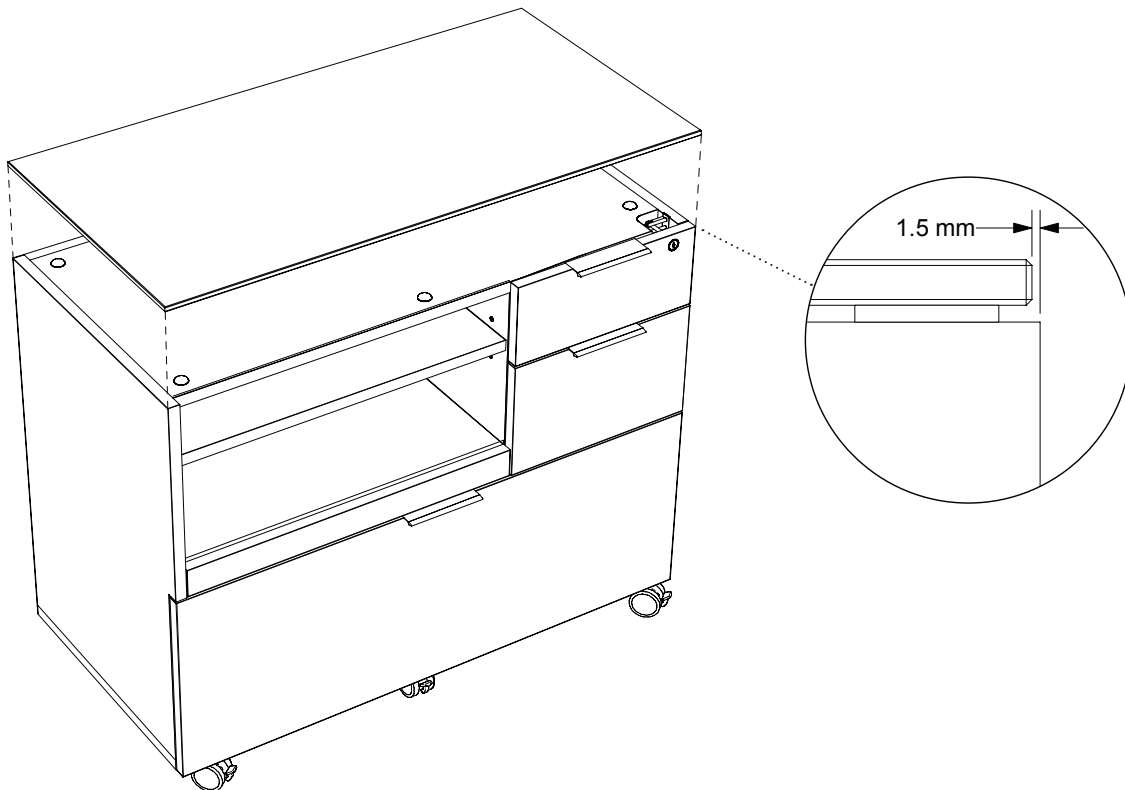
These distinctive product configurations are protected by US and international patents, trade dress, and/or copyright laws. Sigma & BDI are trademarks of Becker Designed, Inc. All rights reserved. ©2019, BDI Made in Turkey.02.18.2019

**Step 2** - Before installing the glass, lay **Cabinet** on its back. Attach **5 swivel casters C7** to the bottom of the cabinet **using screws H1** and tighten with a Phillips Screwdriver.



**Step 3** - With help from another person, stand the cabinet onto its wheels.

**Step 4** - Position the glass panel on top of the cabinet and align all edges (the glass should be inset 1/16" or 1.5mm along each edge).

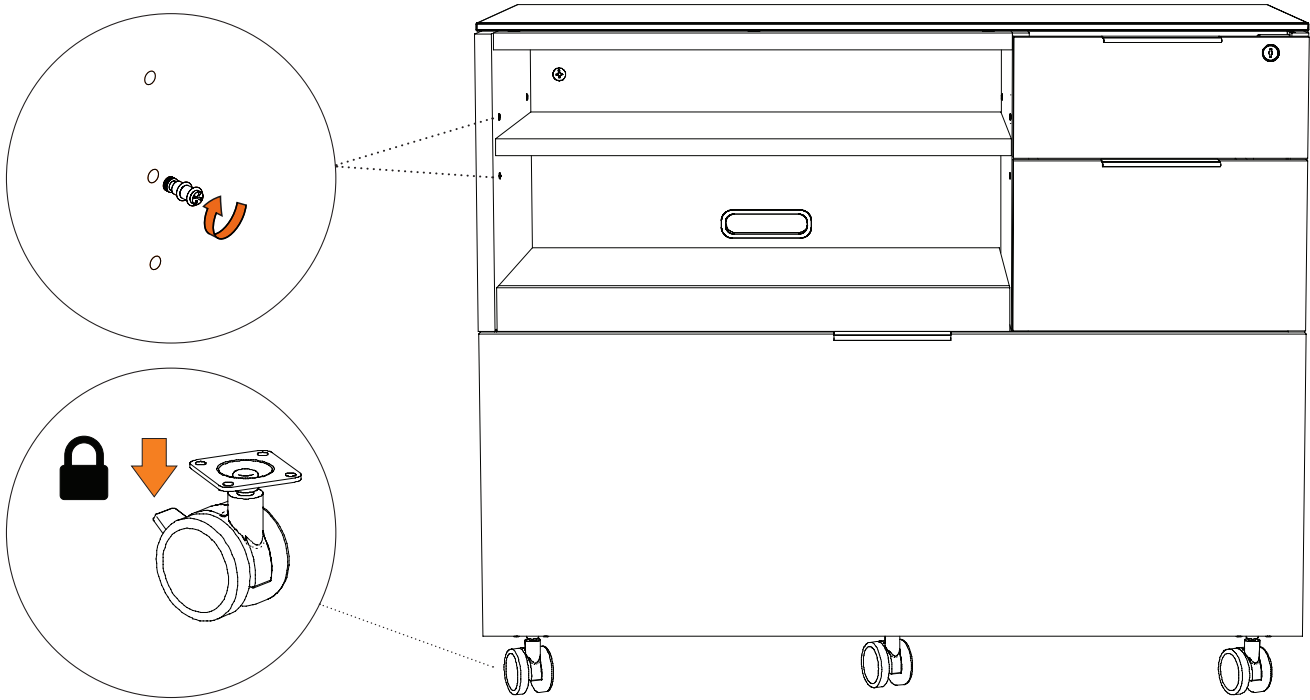


### Step 5 - Adjustable Shelf

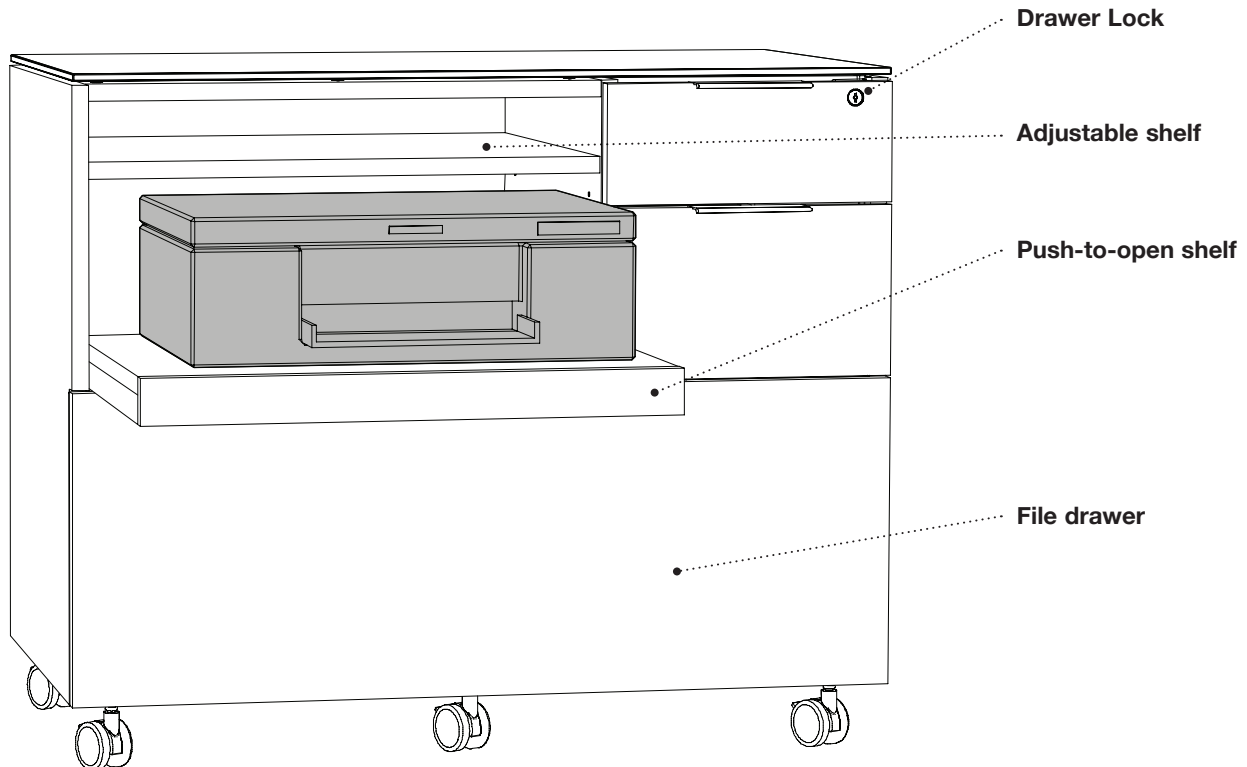
Adjust the position of your shelf if needed.

### Step 6 - Casters

The casters can be locked by pressing the lever downward and released by pressing the lever upward.

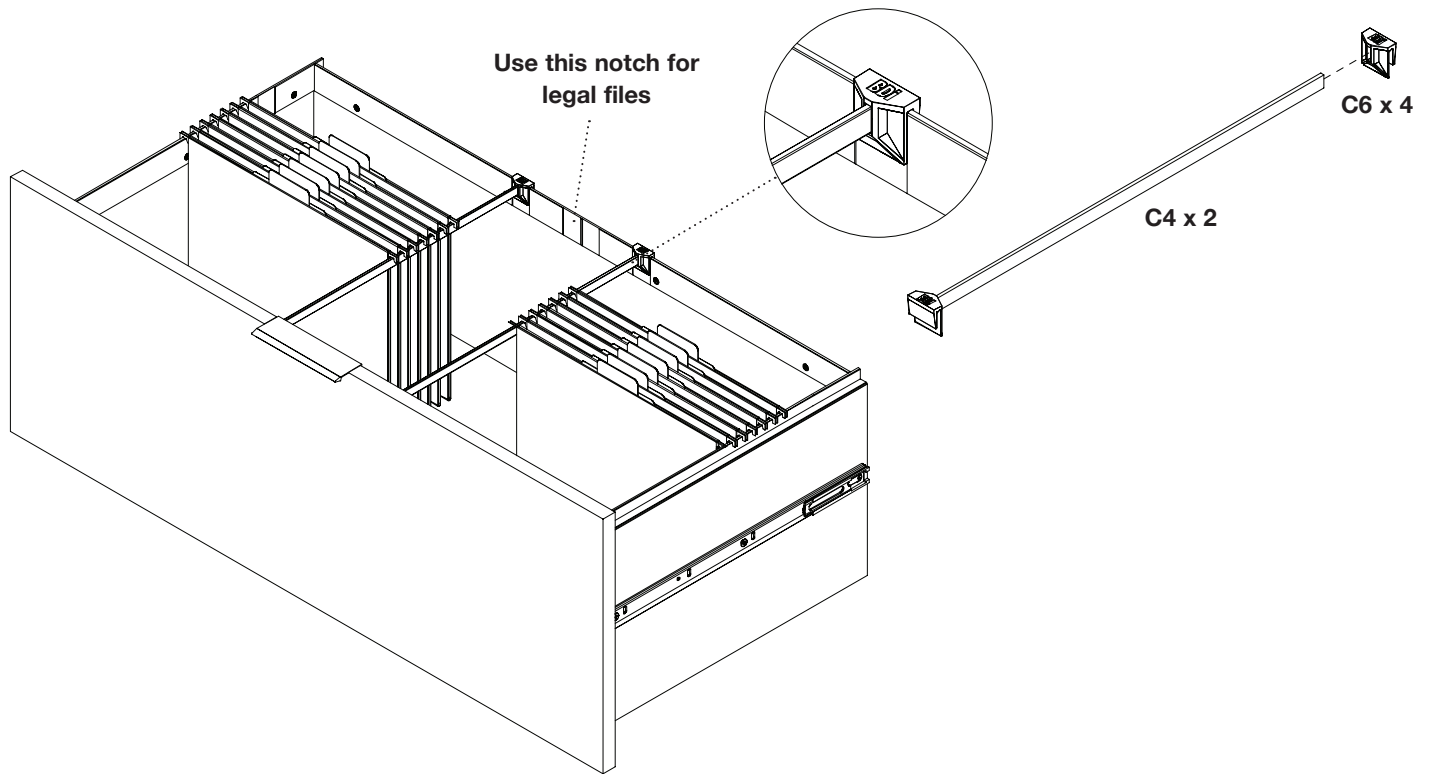


**Step 7 -** The Sigma Multi-function cabinet features a push-to-open printer shelf. Electrical cords can be routed through the grommet hole in the back panel.



### Step 8 - File Bar Installation (Option A)

For files facing forward, attach **File Bar Clip C6** to both ends of **Small File Bar C4** as shown. For letter files, use the outer notches on the front and back of the drawer. For legal files, use the inner notches.



### Step 9 - File Bar Installation (Option B)

For letter files facing sideways, attach **File Bar Clip C6** to both ends of **Large File Bar C5** as shown. Place the file bar assembly in the notches located on the left and right drawer side panels. For side facing legal files, skip this step altogether.

