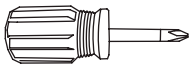
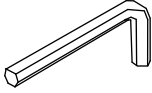


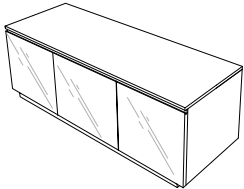
### Component List



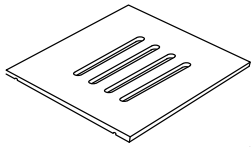
**A** - Phillips Screwdriver  
x 1



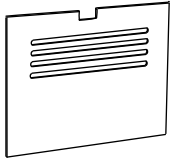
**B** - Allen Wrench x 1



**C** - Assembled Cabinet  
x 1



**D** - Adjustable Shelf x 3



**E** - Back Panel x 2

Mirage is engineered for easy assembly. Carefully follow this procedure to prevent any damage.

### Placement and Maintenance

Mirage is designed for indoor use on level floors. Clean glass with glass cleaner; steel parts and painted surfaces with a moist cloth.

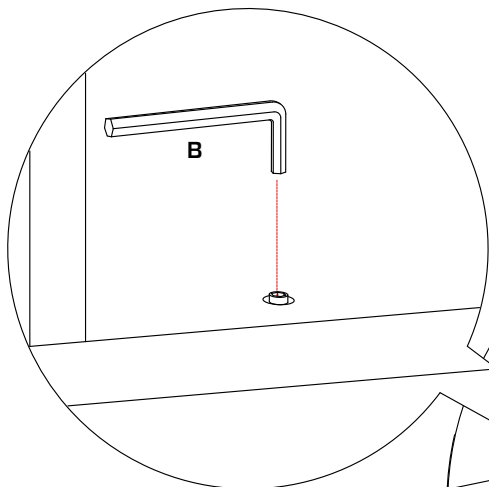
### Step 1

#### Unpack and Identify

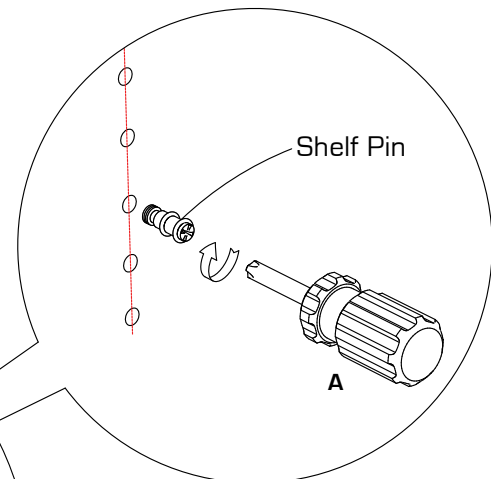
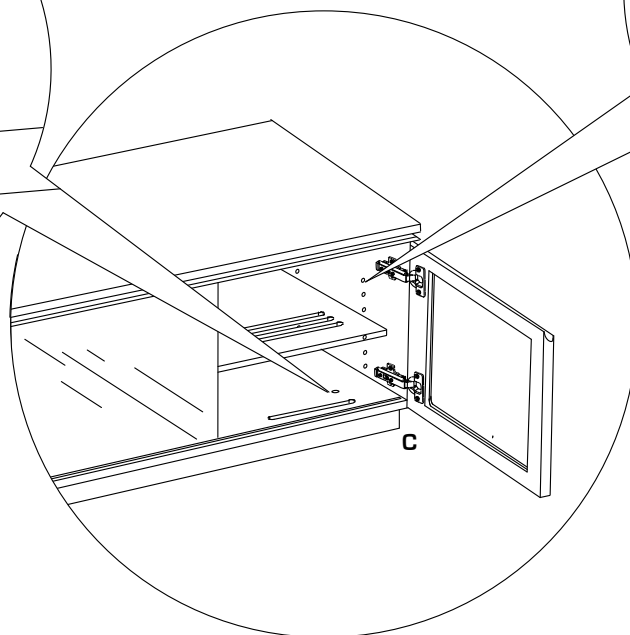
Unpack and identify the components at left. Note that some components are shipped inside the cabinet. The assembly workspace should be a non-marring surface such as carpet. For missing hardware pieces, please contact BDI Customer Service at [customerservice@bdiusa.com](mailto:customerservice@bdiusa.com). For all other concerns, please contact your BDI Retailer.

### Step 2

#### Leveling and Shelf Adjustment



Adjustable leveler glides on are accessible from inside the cabinet using the **Allen Wrench (B)**.



The shelf pins located inside the cabinet space may be repositioned, allowing you to raise or lower each shelf to the desired level.

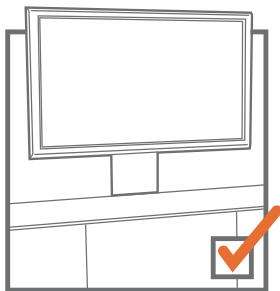
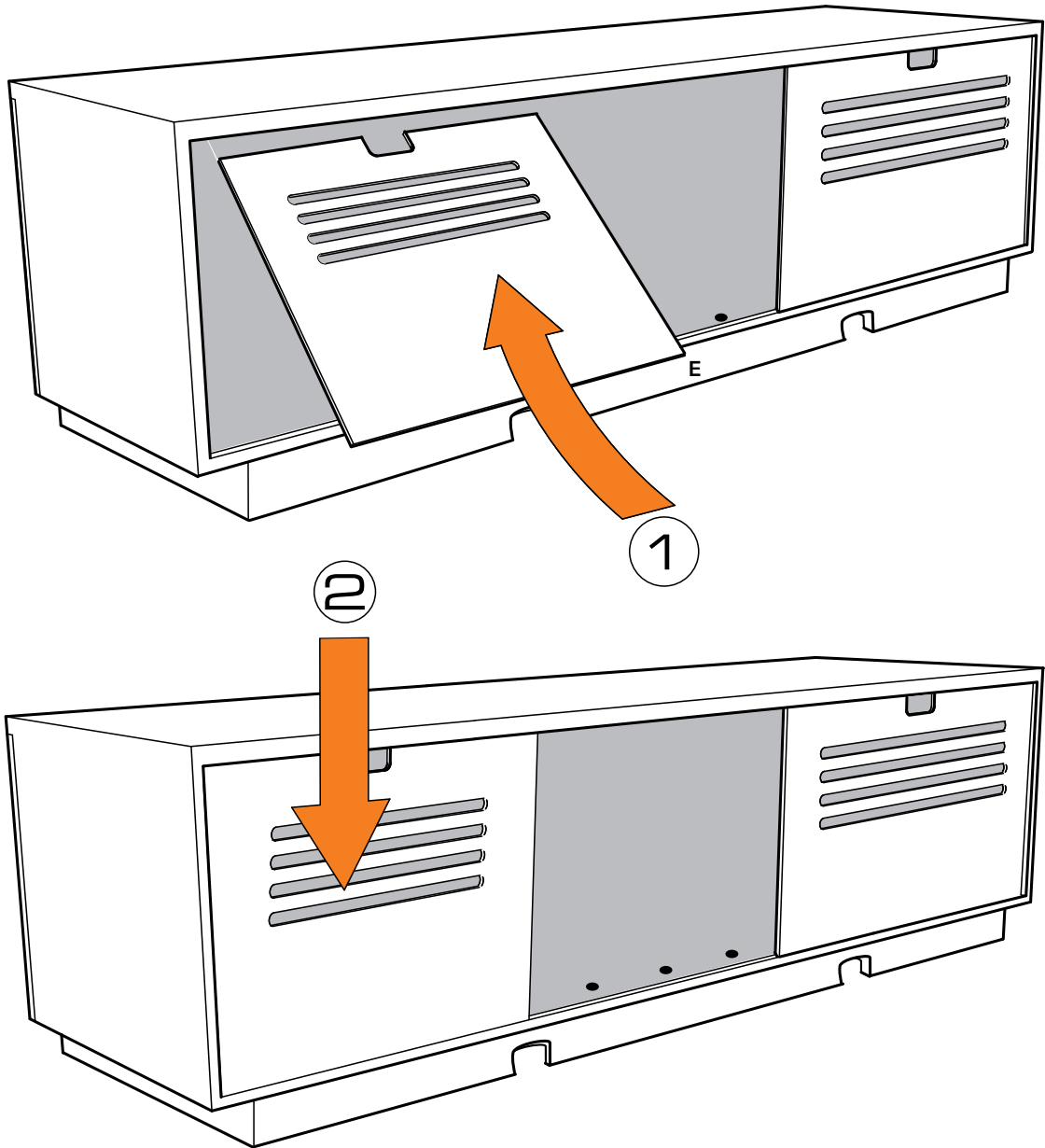
For more information about the adjustable levelers and troubleshooting, be sure to check out "Fine tuning your new BDI Mirage Home Theater Furniture" at the end of these instructions.

### Step 3

#### Back Panel Installation

Install back panel to the rear side of cabinet.

Velcro straps are included as wire management for your convenience.



#### Optional Flat Panel TV Mount

This BDI cabinet is compatible with **BDI's Flat-Panel TV Mount #9970 (sold separately)**, with the following features:

- attaches easily to the back of the cabinet
- accommodates most TVs up to 60"
- swivel allows for rotating for optimal viewing
- allows adjustable TV mounting height
- accepts and route cables to and from the TV

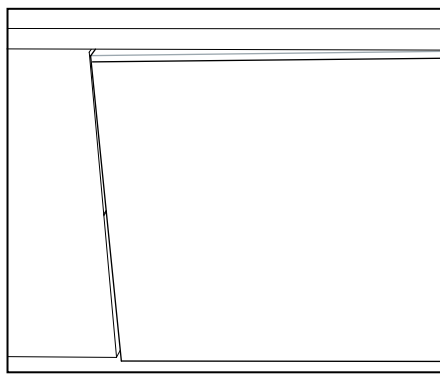
For more information, visit [www.bdiusa.com](http://www.bdiusa.com)

## Fine tuning your new BDI Mirage Home Theater Furniture

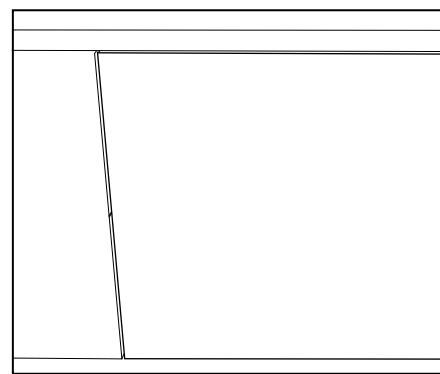
These steps are to be followed after you have unpackaged and completed the simple assembly instructions for your Mirage AV stand. Due to jostling in freight or perhaps an uneven floor, the doors and drawers on your Mirage stand may not appear to be in perfect alignment. Making a few minor adjustments can rectify this situation. Be aware that depending on your situation, patience and a bit of trial and error are required. The high-quality European hinge hardware is infinitely adjustable, but changing one element can cause the need for further adjustments. Through a little adjustment, you can modify the orientation of the cabinet doors to make sure that they are sitting perfectly on your Mirage unit.

### STEP 1 - Level your Mirage unit

Levelers are integrated into each leg assembly and are accessed from inside the cabinet. If your floor is uneven, you may extend one or more levelers (with the provided Allen Wrench) to attain a level, stable cabinet placement. Turning the leveler clockwise will extend the leveler; turning it counter-clockwise will retract it.



**INCORRECT!** Door is out of alignment with the rest of the unit.



**CORRECT!** Door is sitting squarely and evenly spaced on tops and sides.

### STEP 2 - Adjust Door Hinges (if needed)

The doors on your cabinet should be evenly spaced and the doors should open and close freely without rubbing against the door frame.

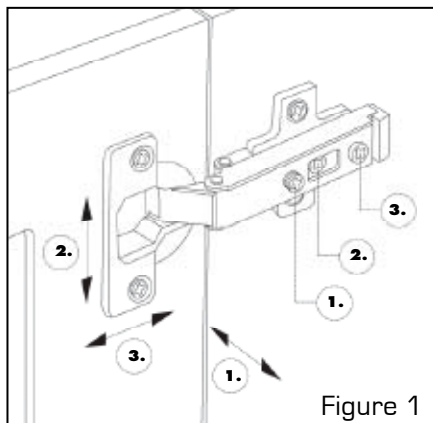


Figure 1

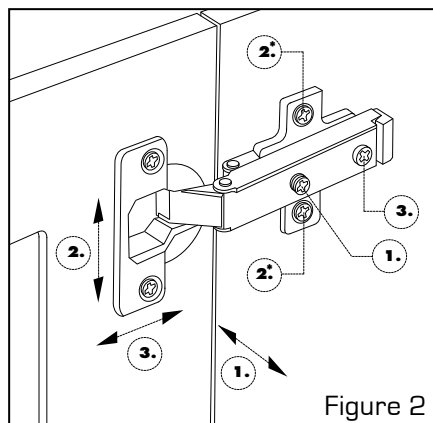


Figure 2

If the cabinet's doors appear out of alignment, this condition can be corrected with minor adjustment to the European hinges on each door.

Because these hinges are infinitely adjustable, adjusting one hinge element can sometimes cause the need for adjustments to other elements. But with a few adjustments, you can modify the orientation of the cabinet doors to make sure that they hang perfectly within your cabinet.

Use a Phillips screwdriver to adjust Mirage's door hinges:

- By adjusting **Screw 1**, the door will move LEFT or RIGHT within the frame. Make minor adjustments at both top and bottom hinges for best results.
- By adjusting **Screw(s) 2**, the door will move UP or DOWN within the frame (the top and bottom hinges must be adjusted the same degree).

**NOTE:** If your hinges have a Slotted Mounting Plate (as shown in Figure 2): Loosen **Screws 2** one complete turn, raise or lower door, then hold in position while tightening **Screws 2** (on both hinges).

- By adjusting **Screw 3** the entire door will move IN or OUT, opening or closing the gap between the door frame and cabinet. (This screw rarely needs adjustment.)