



MODICA OFFICE The MODICA collection is designed with the home office in mind. The unique platform desk stands securely on a black steel trestle base and features an open storage shelf flanked by two storage drawers. The mobile pedestal keeps hanging files and supplies close at hand and makes a great home for a printer or all-in-one.

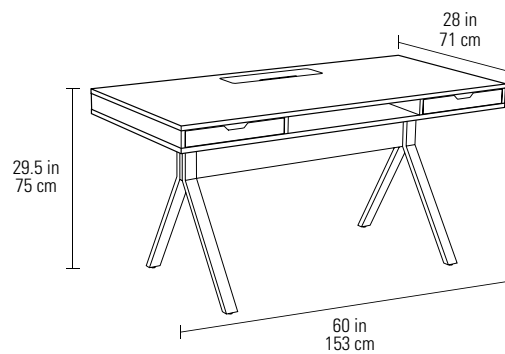
MODICA® OFFICE

DESIGN **MATTHEW WEATHERLY**

6341 DESK

- Large work surface, suitable for a shared work environment.
- The open center compartment is the perfect place to store a laptop or papers that need to be accessible.
- Two side storage drawers keep supplies close at hand.
- Easily accessible compartment for a concealed power strip (not supplied).

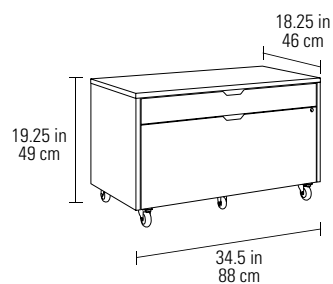
Dimensions 29.5H x 60 x 28 in | 75H x 153 x 71 cm
Weight 107 lbs | 49 kg



6347 MOBILE FILE PEDESTAL

- Top drawer is ideal for supply storage while the lower file drawer can hold letter and/or legal-sized hanging file folders.
- File drawer includes a locking mechanism to keep contents secure.
- Cabinet rests on locking inline casters for security and mobility.
- The perfect home for a printer or all-in-one.

Dimensions 19.25H x 34.5 x 18.25 in | 49H x 88 x 46 cm
Weight 89 lbs | 40 kg
File Drawer Capacity 65 lbs | 29 kg





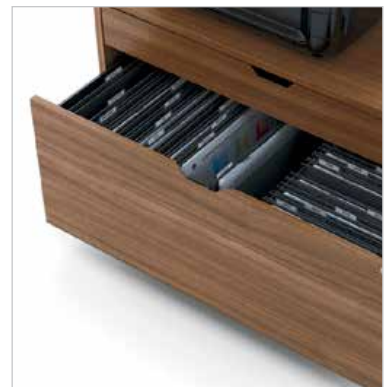
MODICA OFFICE, TC-223 TASK CHAIR AND EILEEN SHELVES IN NATURAL WALNUT FINISH



Two storage drawers keep supplies concealed, yet accessible. Nonslip lining keeps contents in place.



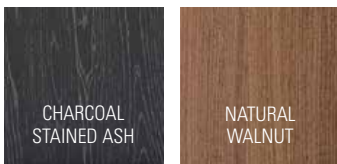
A power strip access panel in the desktop easily removes for access to a small power strip.



The Mobile File Pedestal 6347's bottom drawer can accommodate letter and/or legal-sized hanging file folders.



MODICA DESK 6341 AND MOBILE FILE PEDESTAL 6347 IN NATURAL WALNUT FINISH



For the most up-to-date product specifications, visit www.bdiusa.com. BDI's products are protected by US patent, international patent, trade dress, and/or copyright laws. "Modica" and BDI are trademarks of Becker Designed Inc. All rights reserved. Refer to current price list or contact BDI for specific model and finish availability. Materials and specifications subject to change without notice. BDI products are packaged with recyclable materials. ©2016, BDI