

CENTRO™ LIFT DESK

BD



CENTRO LIFT DESK The CENTRO LIFT DESKS provide a versatile work space at the touch of a button. Whether sitting, standing, or somewhere in between, these height-adjustable desks can be positioned for maximum comfort and work efficiency.

CENTRO™ LIFT DESK

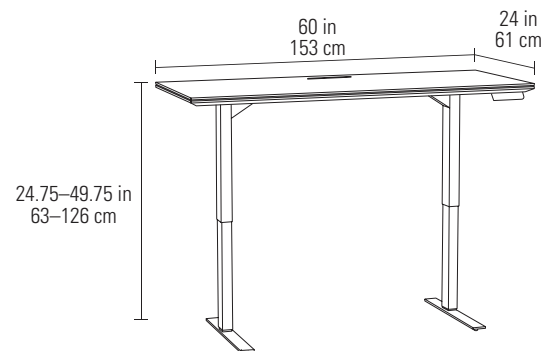
DESIGN **MATTHEW WEATHERLY**

- Grey, micro-etched top provides a smooth work surface, accented with a Satin White beveled panel beneath it.
- Digital keypad can be mounted on the left or right and can be programmed to four user-defined settings.
- An optional storage drawer is available for larger desk (model 6452) and is lined with a non-slip material to keep contents secure.
- A discreet wire management ledge keeps cables organized and out of sight.
- A power strip can be mounted under the desk to minimize excess wires (power strip not included).



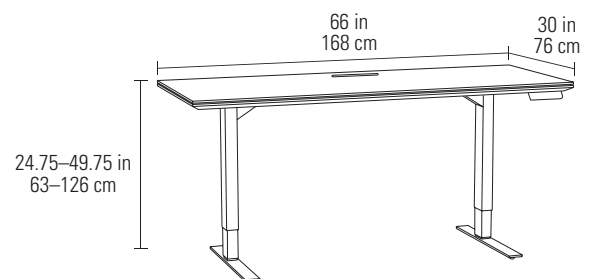
6451 CENTRO LIFT DESK (60" x 24" DESKTOP)

Overall Dimensions 24.75–49.75H x 60 x 24 in | 63–126H x 153 x 61 cm
 Capacity 150 lbs | 68 kg
 Weight 127 lbs | 58 kg



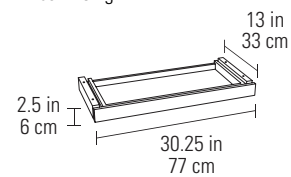
6452 CENTRO LIFT DESK (66" x 30" DESKTOP)

Overall Dimensions 24.75–49.75H x 66 x 30 in | 63–126H x 168 x 76 cm
 Capacity 150 lbs | 68 kg
 Weight 156 lbs | 71 kg



6459 STORAGE DRAWER (Fits model 6452 only)

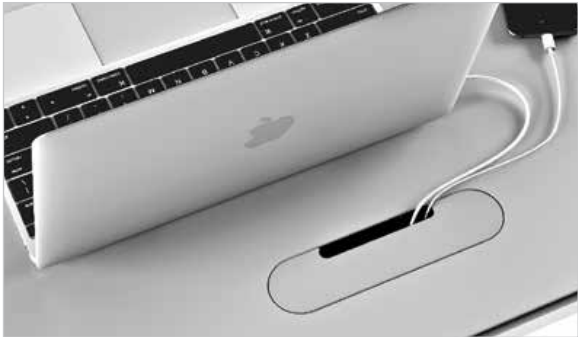
Overall Dimensions 2.5H x 30.25 x 13 in | 6H x 77 x 33 cm
 Weight 11 lbs | 5 kg



The CENTRO LIFT DESKS are Height-adjustable from 24.75"–49.75" (63–126 cm) for seated or standing use. The easy-to-use digital keypad can be programmed with four user-defined presets.



PROGRAMMABLE DIGITAL KEYPAD



CABLE MANAGEMENT SYSTEM



PARTNERS WITH OTHER CENTRO COMPONENTS



CABLE MANAGEMENT LEDGE



COMPATIBLE WITH THIRD-PARTY MONITOR ARMS



OPTIONAL STORAGE DRAWER (FITS MODEL 6452 ONLY)



The CENTRO LIFT DESK partners perfectly with other components in the CENTRO OFFICE collection.



The desks feature a grey, micro-etched glass work surface, providing an elegant feel and smooth writing surface.

SATIN WHITE/
GREY GLASS TOP