

# CENTRO™ 6407

MOBILE FILE PEDESTAL

bdiusa.com  
customerservice@bdiusa.com



## Product Registration

Registering your new BDI product allows us to send you important product updates, service information and helpful hints related to your BDI products. Register today and you will be entered to win free a BINK table from BDI. [www.bdiusa.com/product-registration/](http://www.bdiusa.com/product-registration/)

## Placement and Maintenance

Centro™ Office furniture is designed for indoor use on level floors. Clean glass with glass cleaner, and steel parts and wood veneer with a moist cloth.

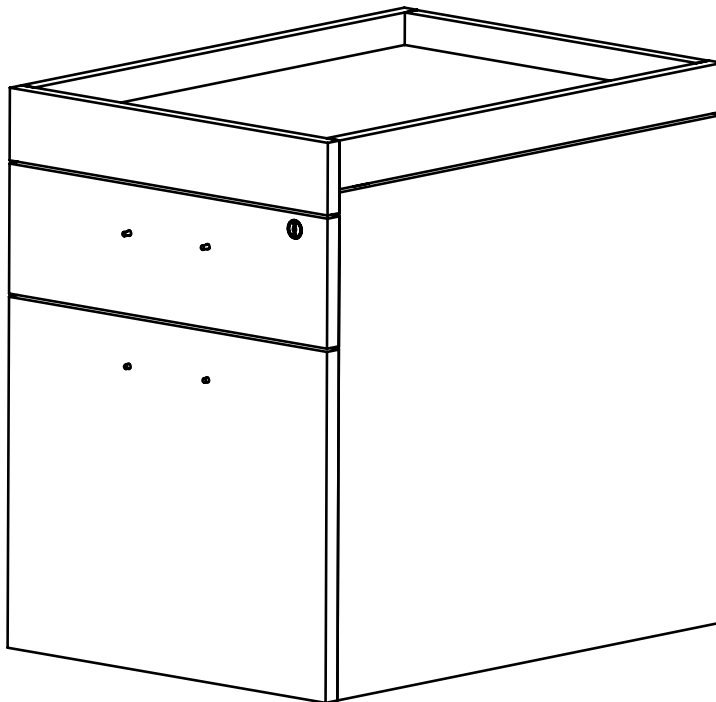
Your Centro™ Office furniture is engineered for easy assembly. Carefully follow this procedure to prevent any damage.

Do not use power tools for assembly of this product.

## Step 1

Unpack and identify the parts listed below. The assembly workspace should be a non-marring surface such as carpet. For missing hardware pieces, please contact BDI Customer Service at [customerservice@bdiusa.com](mailto:customerservice@bdiusa.com). For all other concerns, please contact your BDI retailer.

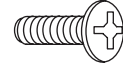
A1 Cabinet



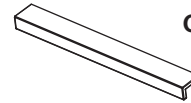
**H2.1** M4 x 22mm  
Screw x 2



**H2** M4 x 37mm  
Screw x 2



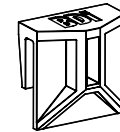
**H5** Phillips Machine  
Screw x 20



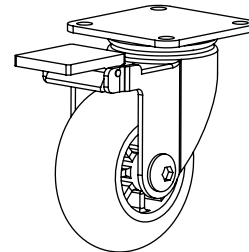
**C2** Pull x 2



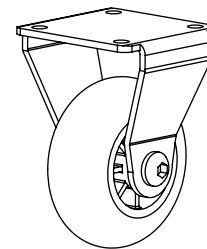
**C4** Small File Bar x 2



**C6** File Bar Clip x 4



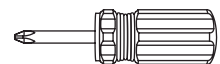
**C8** Locking Swivel  
Caster x 4



**C9** Fixed Caster x 1

### Tool Required:

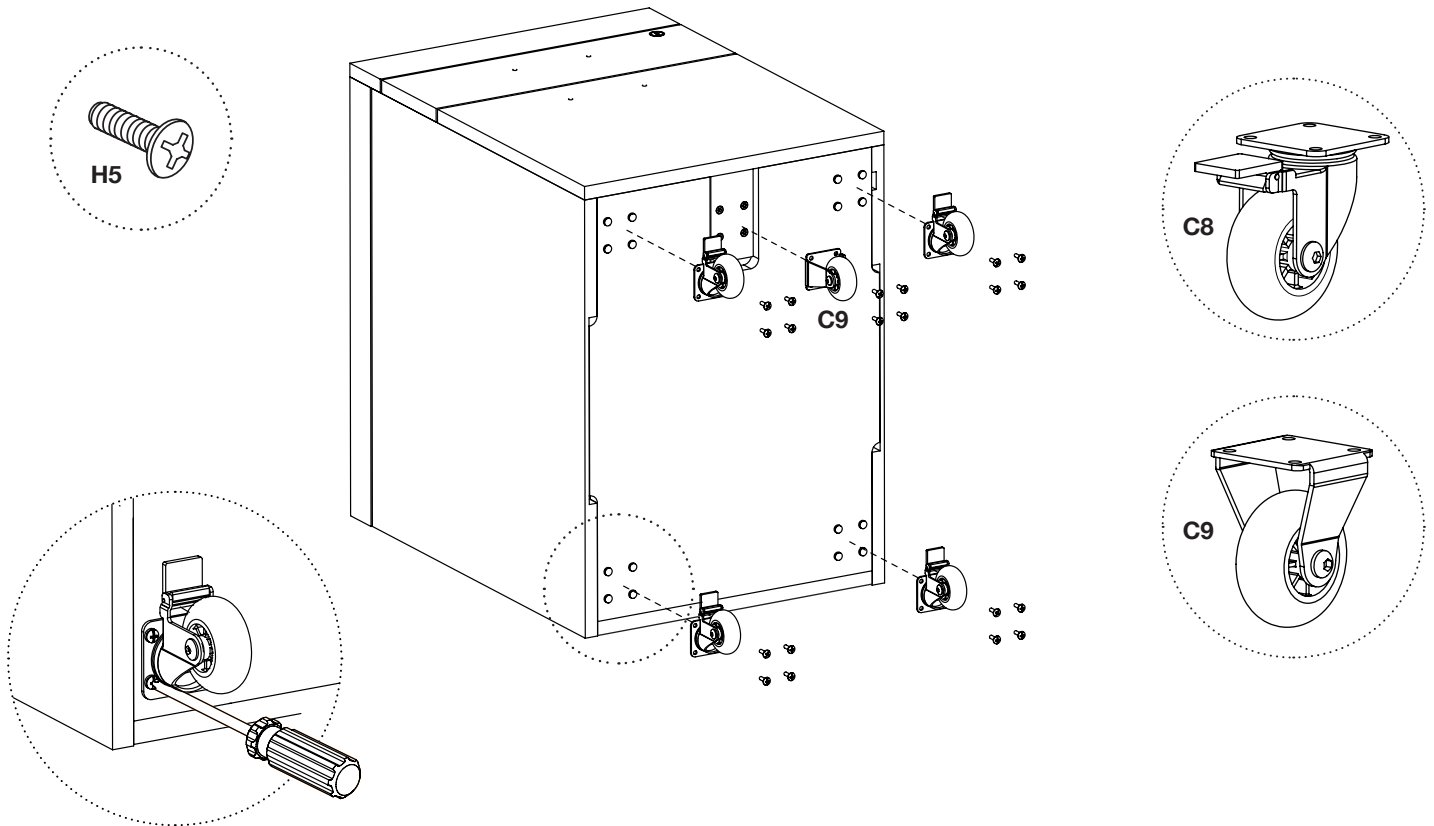
Phillips screwdriver



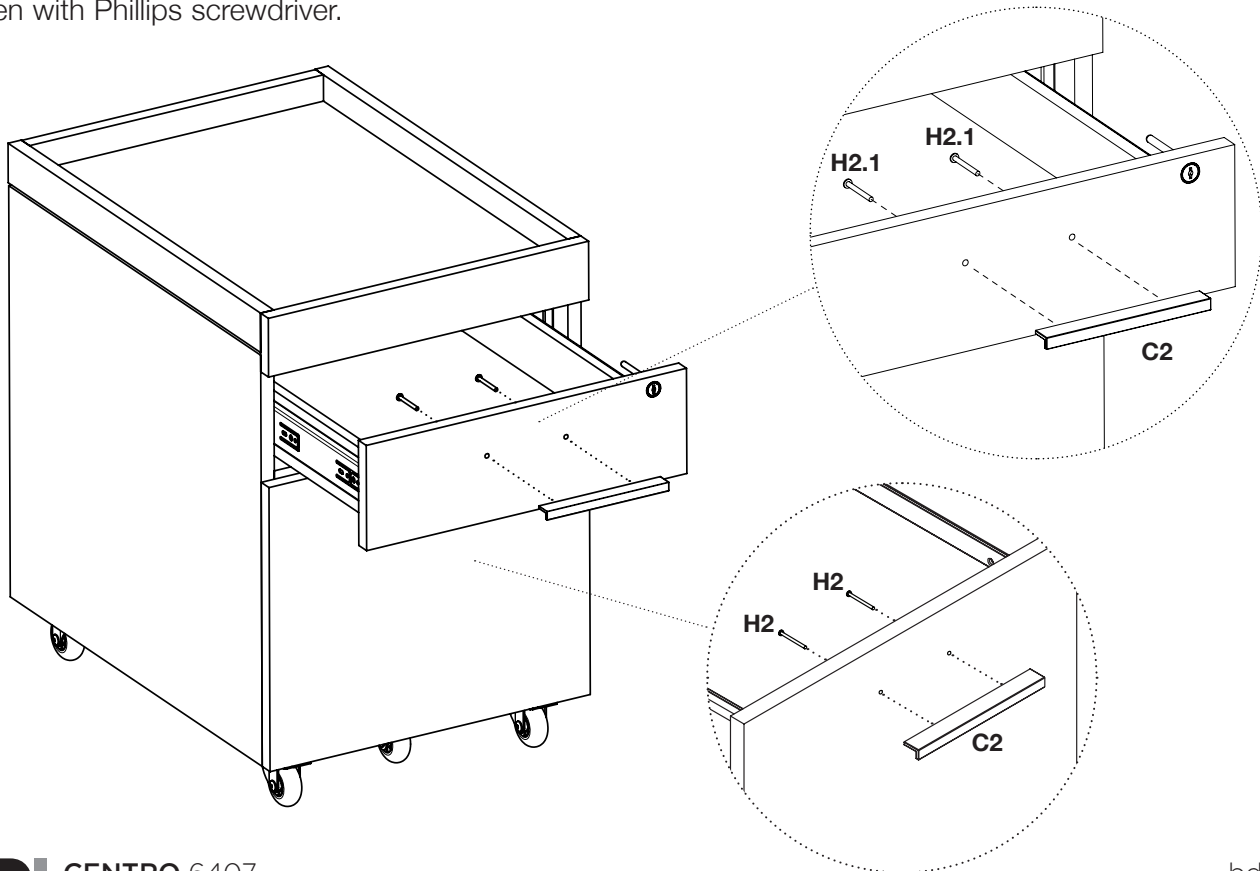
Designed by Matthew Weatherly.

These distinctive product configurations are protected by US and international patents, trade dress, and/or copyright laws. Centro & BDI are trademarks of Becker Designed, Inc. All rights reserved. ©2015, BDI Made in China. 05.17.2019 V3

**Step 2** - Lay **Cabinet** on its back side. Attach **Casters** to **Cabinet** using **Screws H5** and tighten with a Phillips screwdriver.

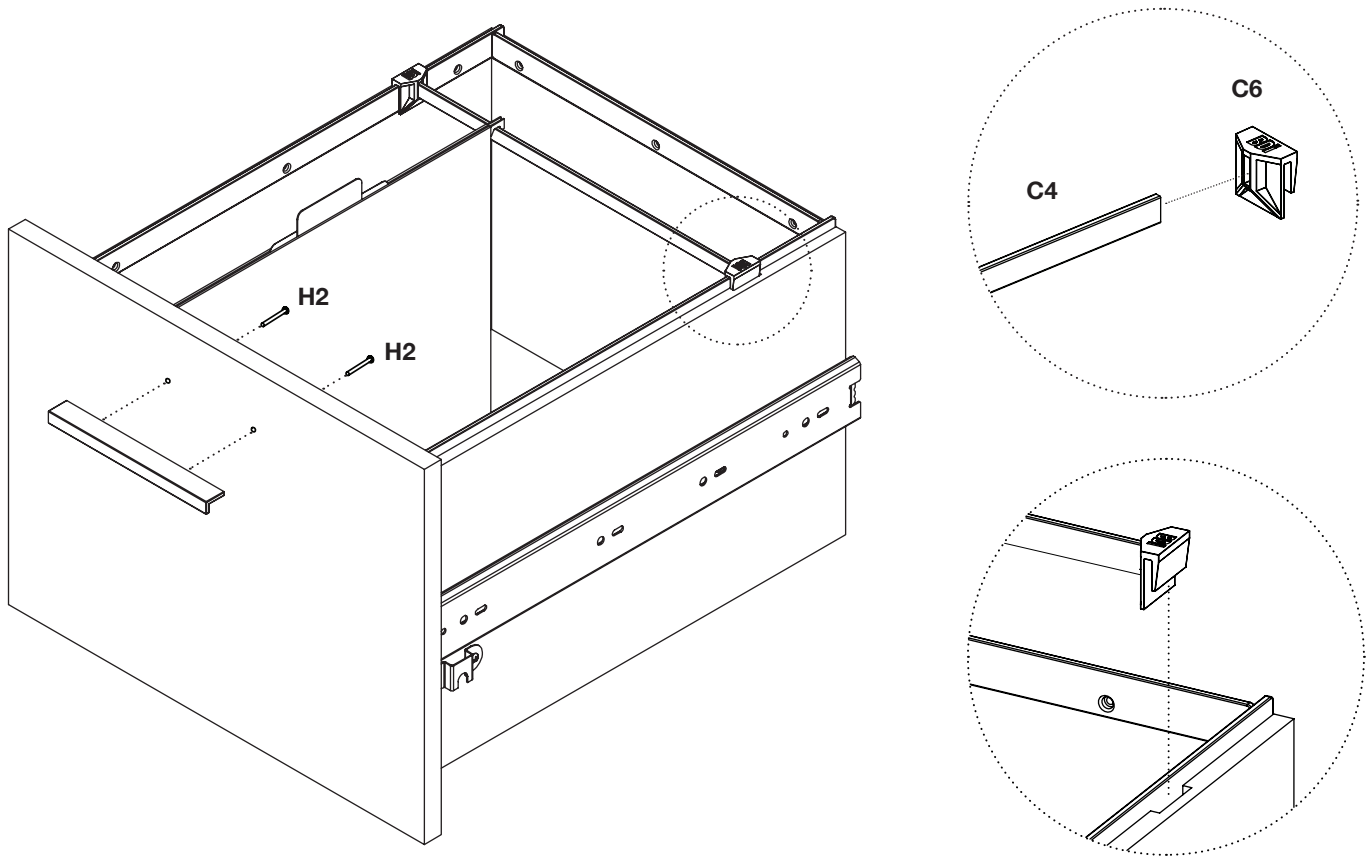


**Step 3** - Attach **Pulls** to top drawer using **Screws H2.1**, attach **Pulls** to bottom drawer using **Screws H2** and tighten with Phillips screwdriver.



#### Step 4 - File Bar Installation (Letter File)

For letter files facing sideways, attach **File Bar Clip C6** to both ends of **Small File Bars C4** as shown. Place the file bar assembly in the notches located on the left and right drawer side panels. For front facing letter files, skip this step altogether.



#### Step 5 - Legal File Accommodation

