



**sequel<sup>®</sup>**  
**6001**  
desk

# assembly instructions

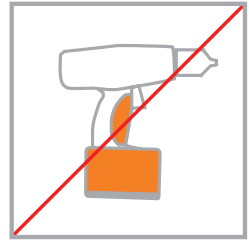


[bdiusa.com](http://bdiusa.com) [customerservice@bdiusa.com](mailto:customerservice@bdiusa.com)

## Placement and Maintenance

Sequel™ Home Office Furniture is designed for indoor use on level floors. Clean glass with glass cleaner, and steel parts and wood veneer with a moist cloth. Your Sequel™ Home Office Furniture is engineered for easy assembly. Carefully follow this procedure to prevent any damage.

**Do not use power tools for assembly of this product.**



## Step 1

Unpack and identify the parts listed below. The assembly workspace should be a non-marring surface such as carpet. For missing hardware pieces, please contact BDI Customer Service at [customerservice@bdiusa.com](mailto:customerservice@bdiusa.com). For all other concerns, please contact your BDI Retailer.

## Component List

**N** - Upper Horizontal Beam x 1

**B** - Top Glass x 1

**L** - Right Leg x 1

**C** - Back Panel x 1

**A** - Drawer Assembly x 1

**E** - Lower Horizontal Beam x 1

**K** - Left Leg x 1

**D** - Front Kick Panel x 1



**F** - 4mm Hex Wrench x 1



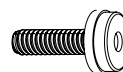
**G** - 1/4-20 x 63 mm Screw x 7



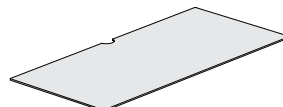
**I** - Adhesive Foam/Magnet x 4  
Pre-installed on Upper  
Horizontal Beam (**N**)



**H** - 1/4-20 x 12 mm Screw x 16



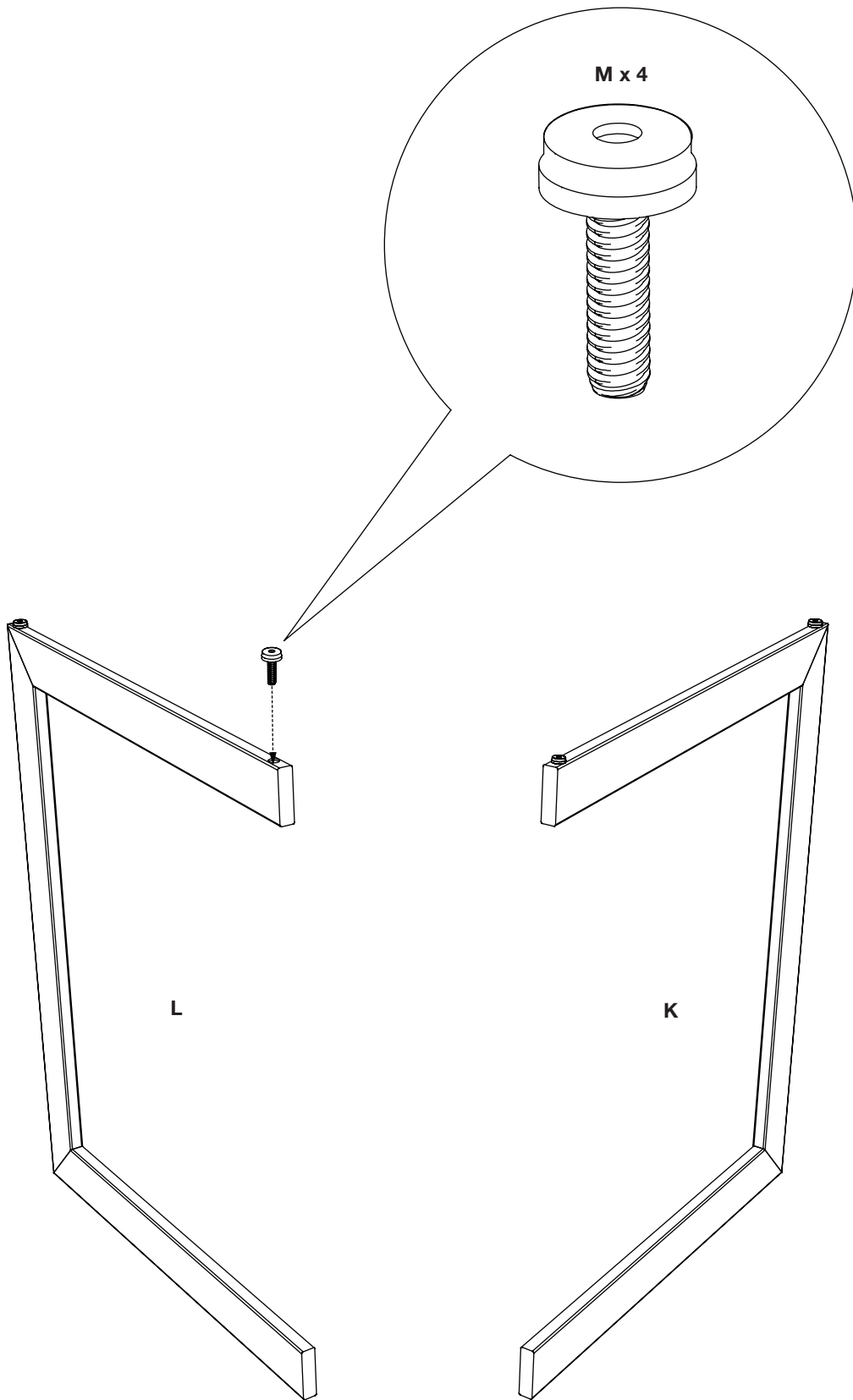
**M** - Glides x 4



**J** - Center Drawer Liner x 2

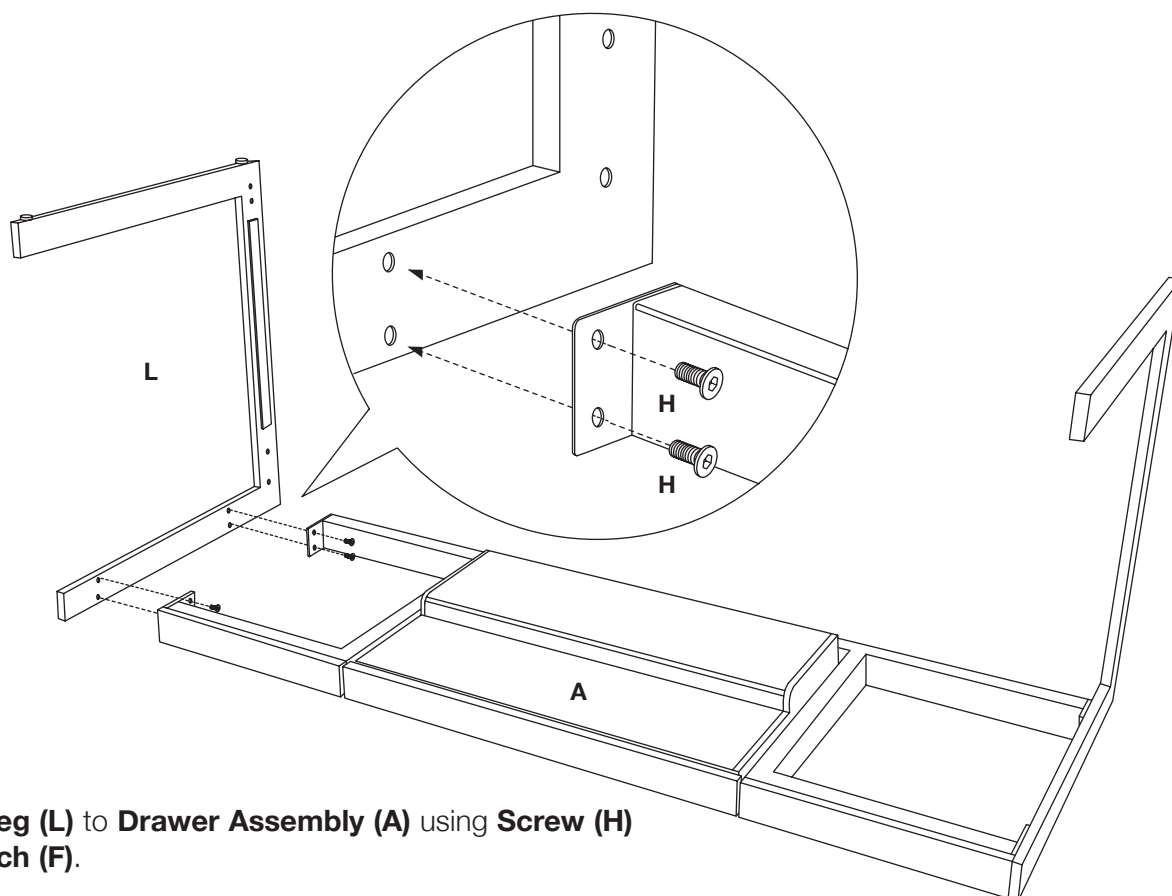
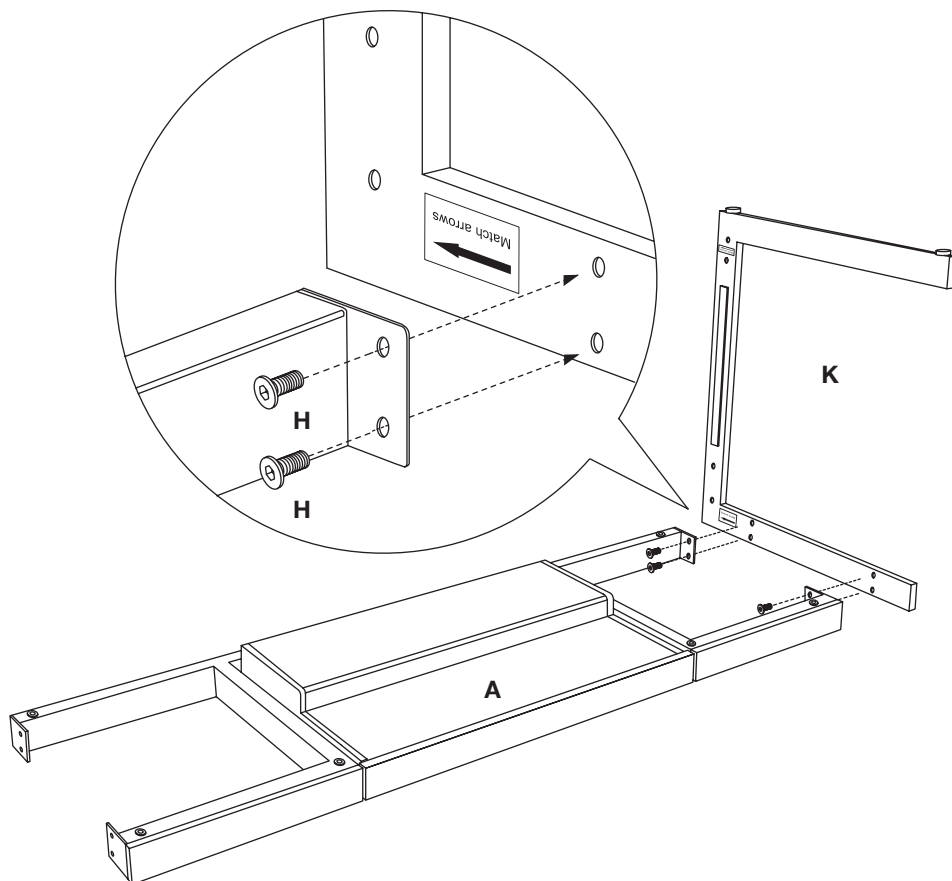
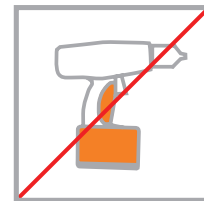
**Step 1**

Install **Glides (M)** to the bottom of **Left Leg (K)** and **Right Leg (L)**.



Step 2

Attach **Left Leg (K)** to **Drawer Assembly (A)** using **Screw (H)** and **Hex Wrench (F)**.

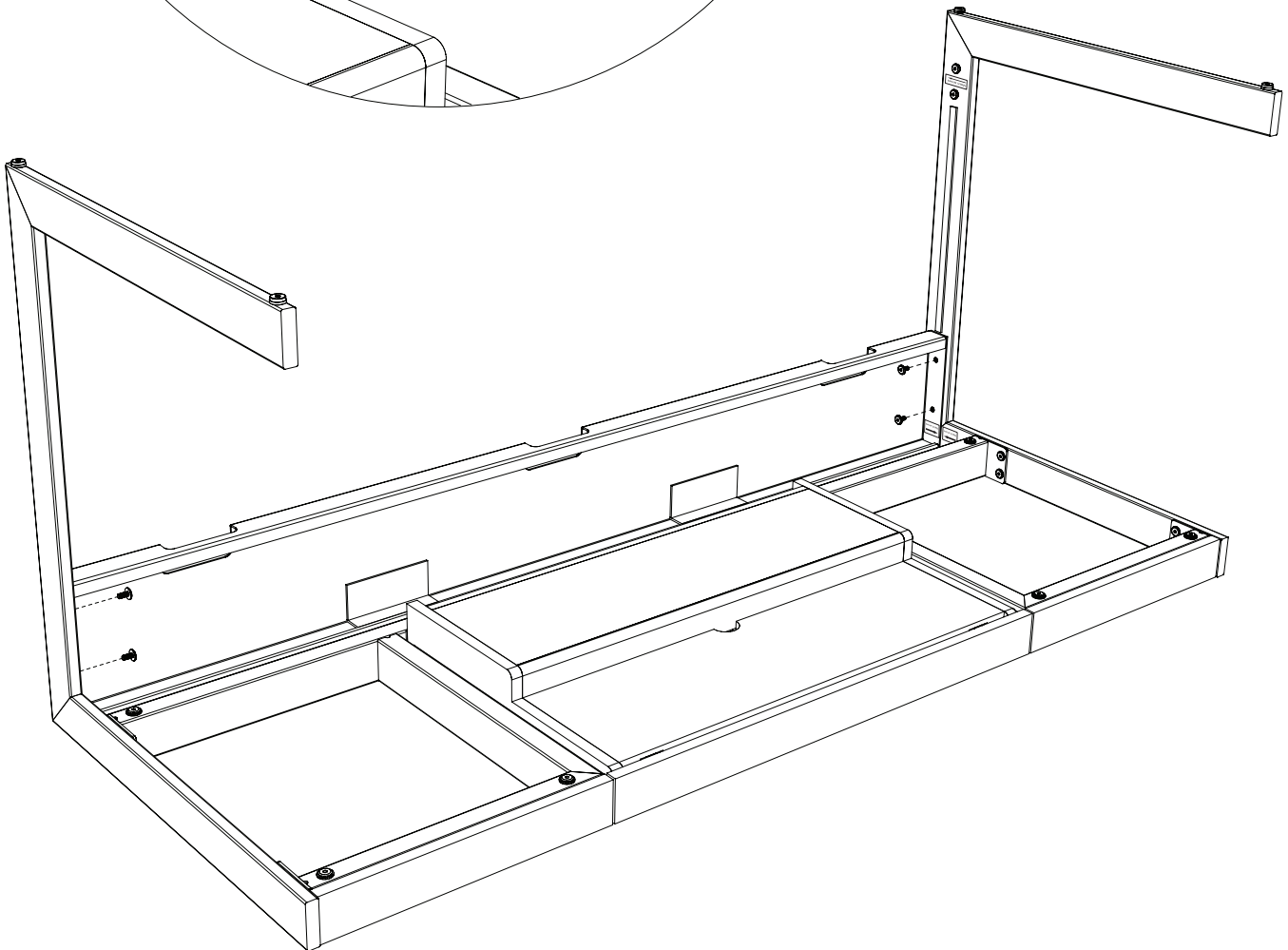
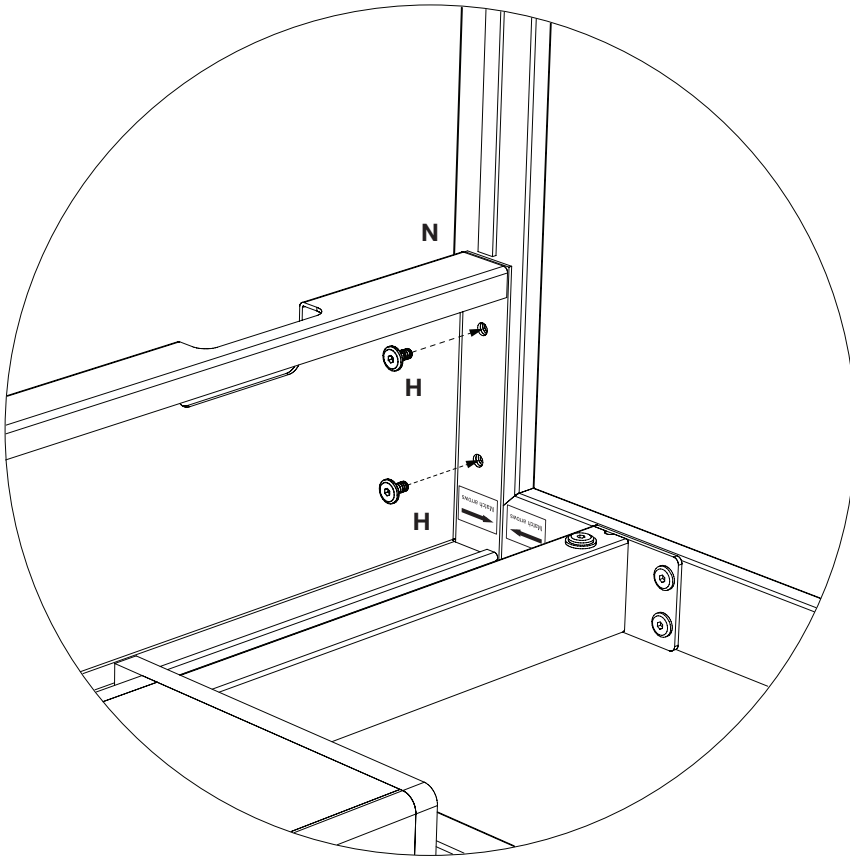


Step 3

Attach **Right Leg (L)** to **Drawer Assembly (A)** using **Screw (H)** and **Hex Wrench (F)**.

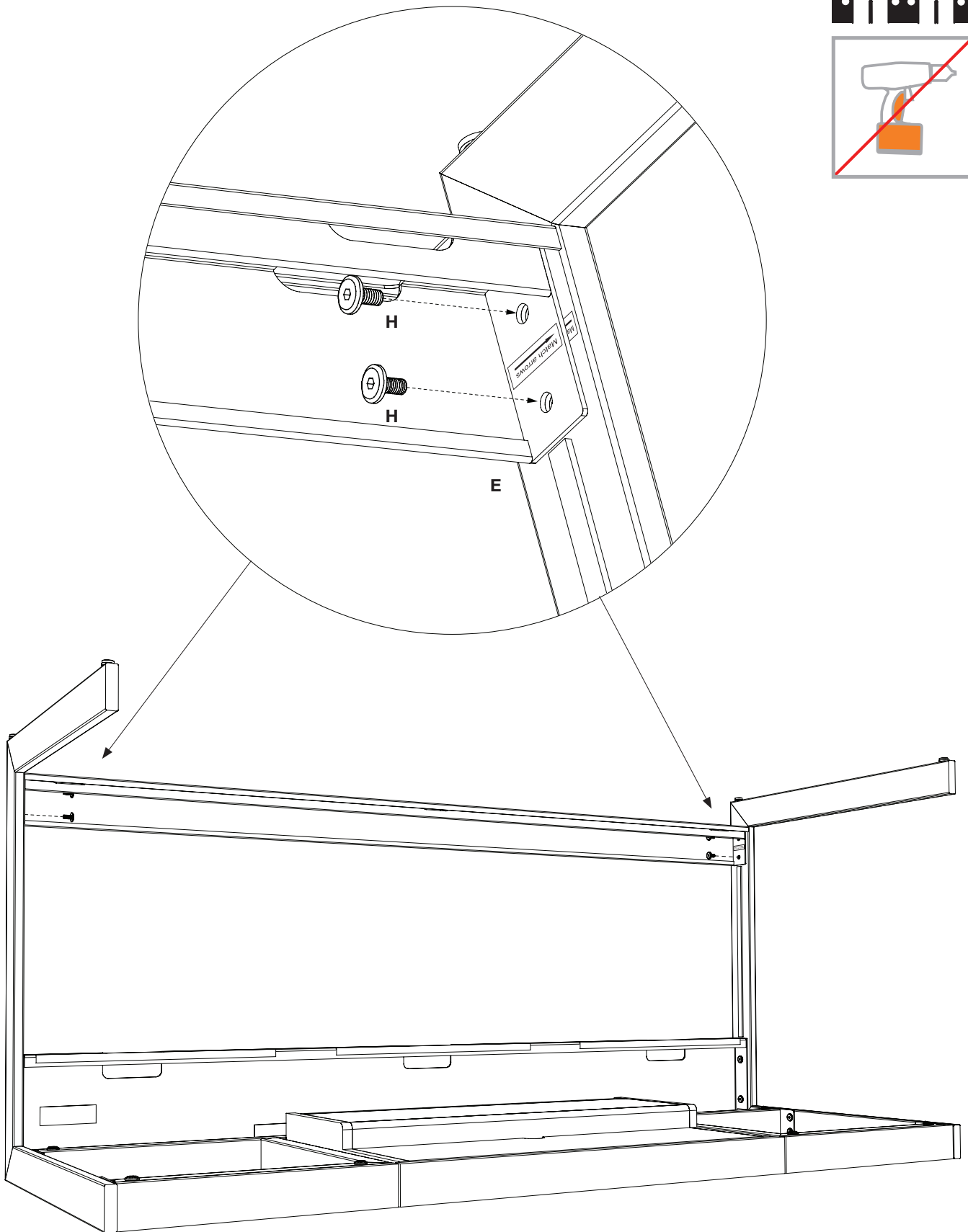
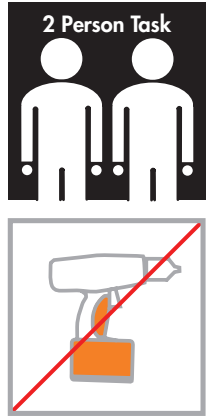
#### Step 4

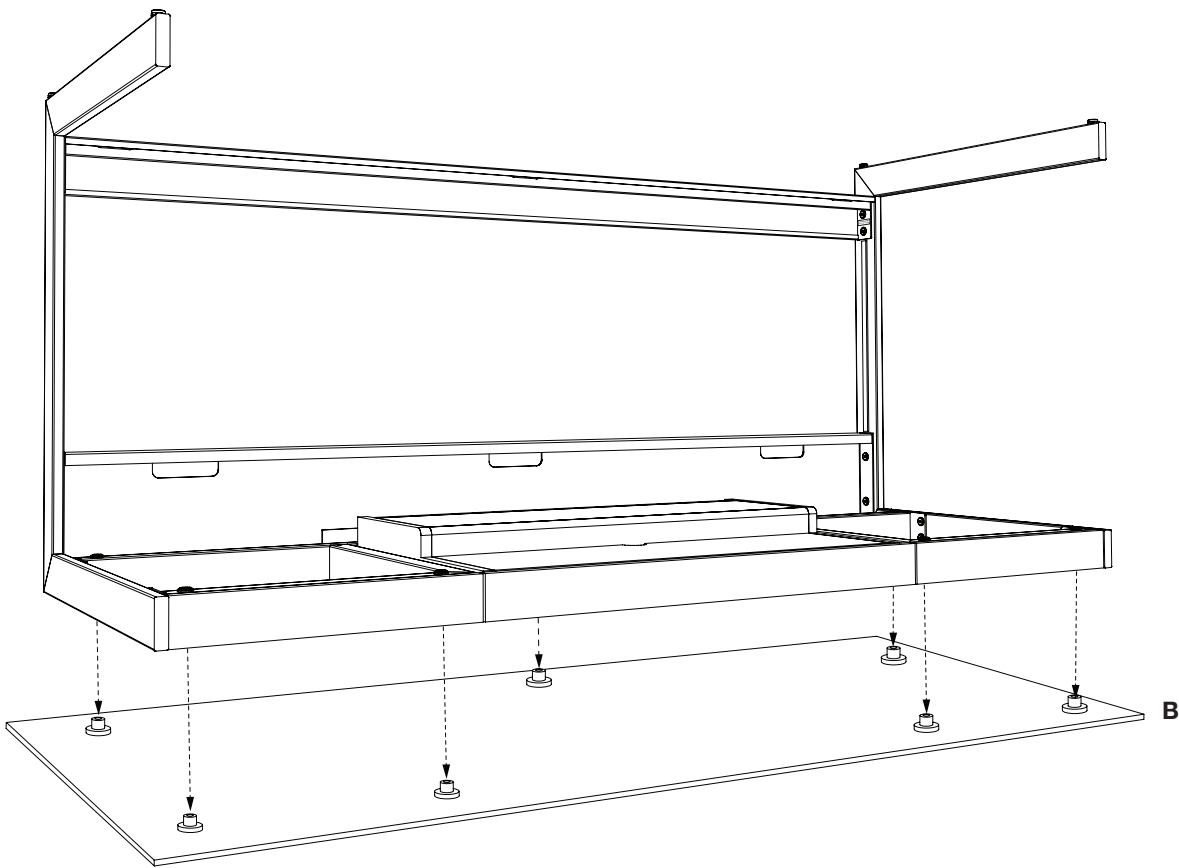
Attach **Upper Horizontal Beam (N)** to inside of Left and Right Leg using **Screw (H)** and **Hex Wrench (F)**.



### Step 5

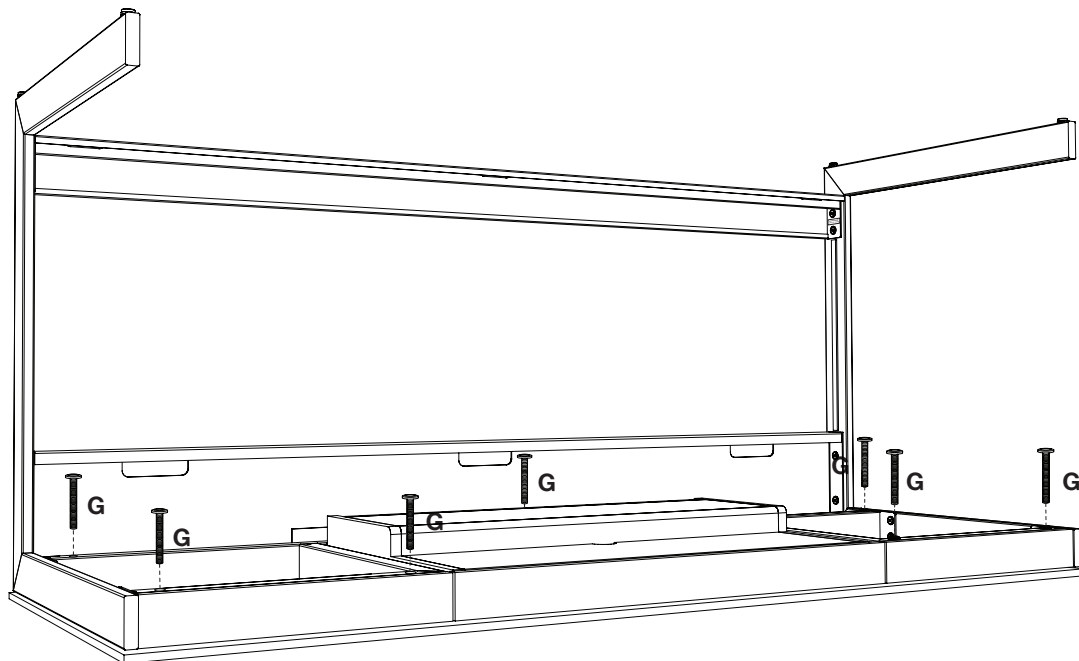
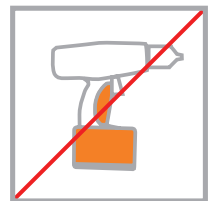
Attach **Lower Horizontal Beam (E)** to inside of Left and Right Leg using **Screw (H)** and **Hex Wrench (F)**.





### Step 6

With the help of another person, gently lower Assembly onto **Top Glass (B)**. Both parts will be placed upside down for the assembly process and fasten into place using **Screw (G)** and **Hex Wrench (F)** at all **(7)** fastener locations. **DO NOT OVERTIGHTEN!** With the help of another person, turn desk upright onto its base.



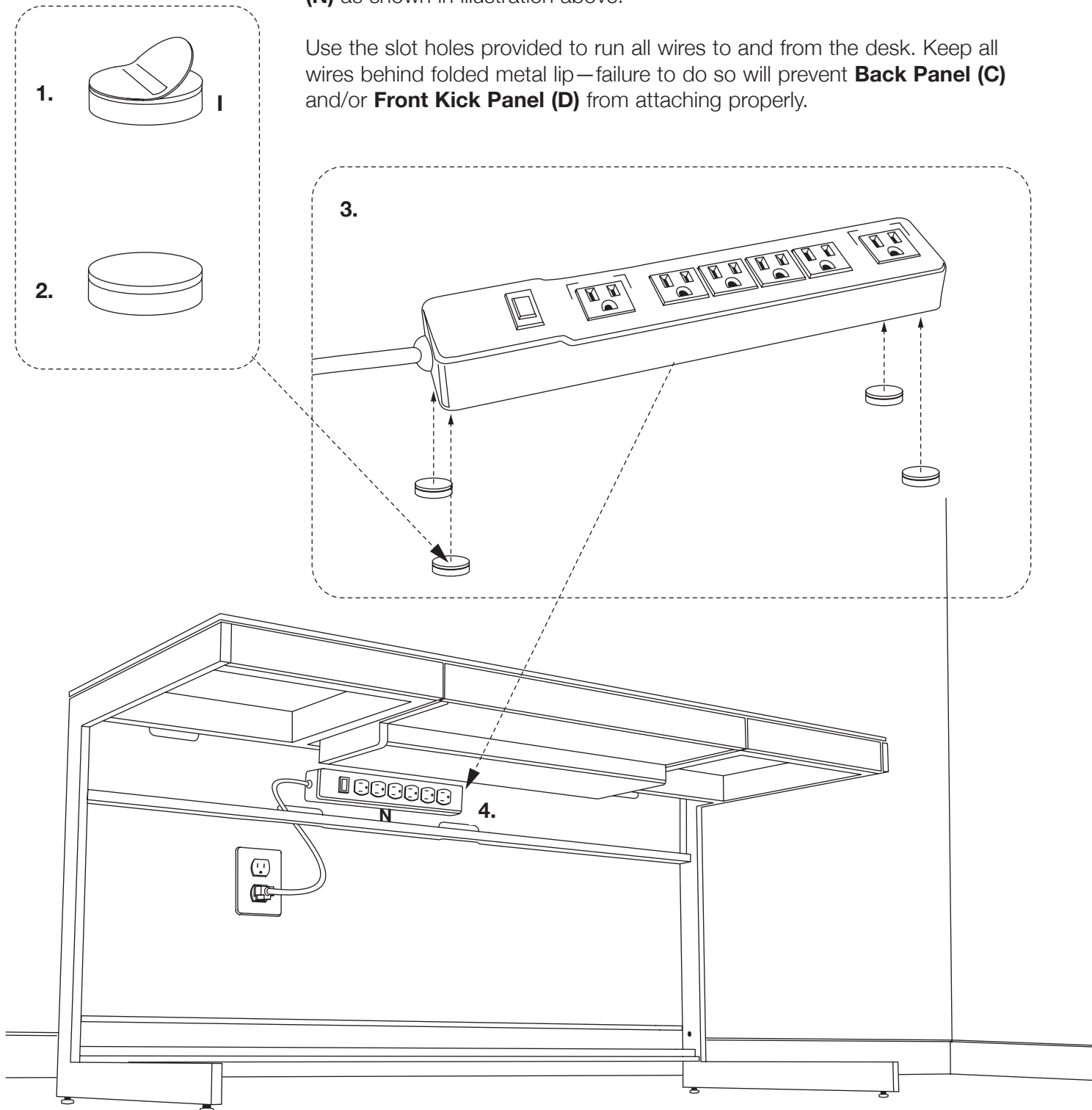
### Step 7 (optional)

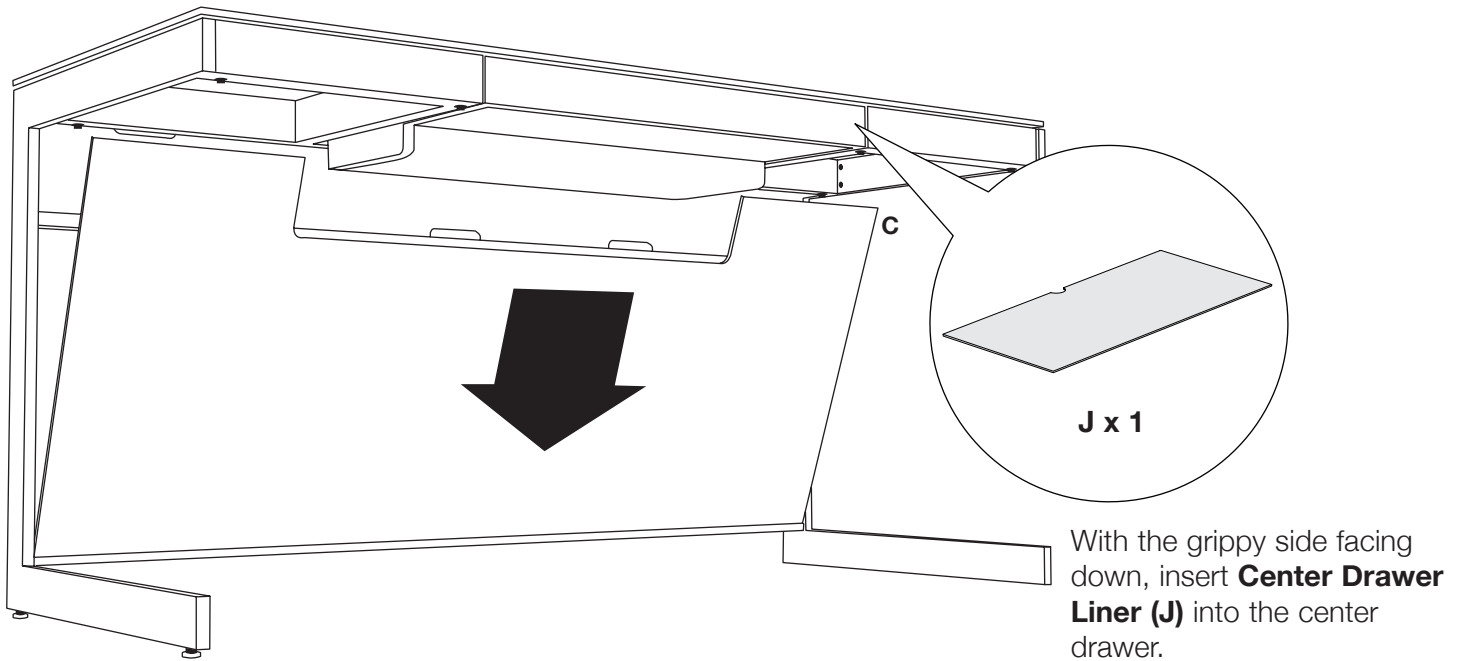
#### Attach Magnets to AC power strip/surge protector

Remove **Adhesive Foam/Magnets (I)** from the **Upper Horizontal Beam (N)**. Peel film from side of the **Adhesive Foam/Magnets (I)** and attach to clean, dry back side of AC power strip (not included). **Cleaning of power strip surface with rubbing alcohol will ensure best adhesive bond. \*\*UNPLUG POWER STRIP FROM POWER SOURCE BEFORE CLEANING\*\***

Attach AC power strip/surge protector to inside of **Upper Horizontal Beam (N)** as shown in illustration above.

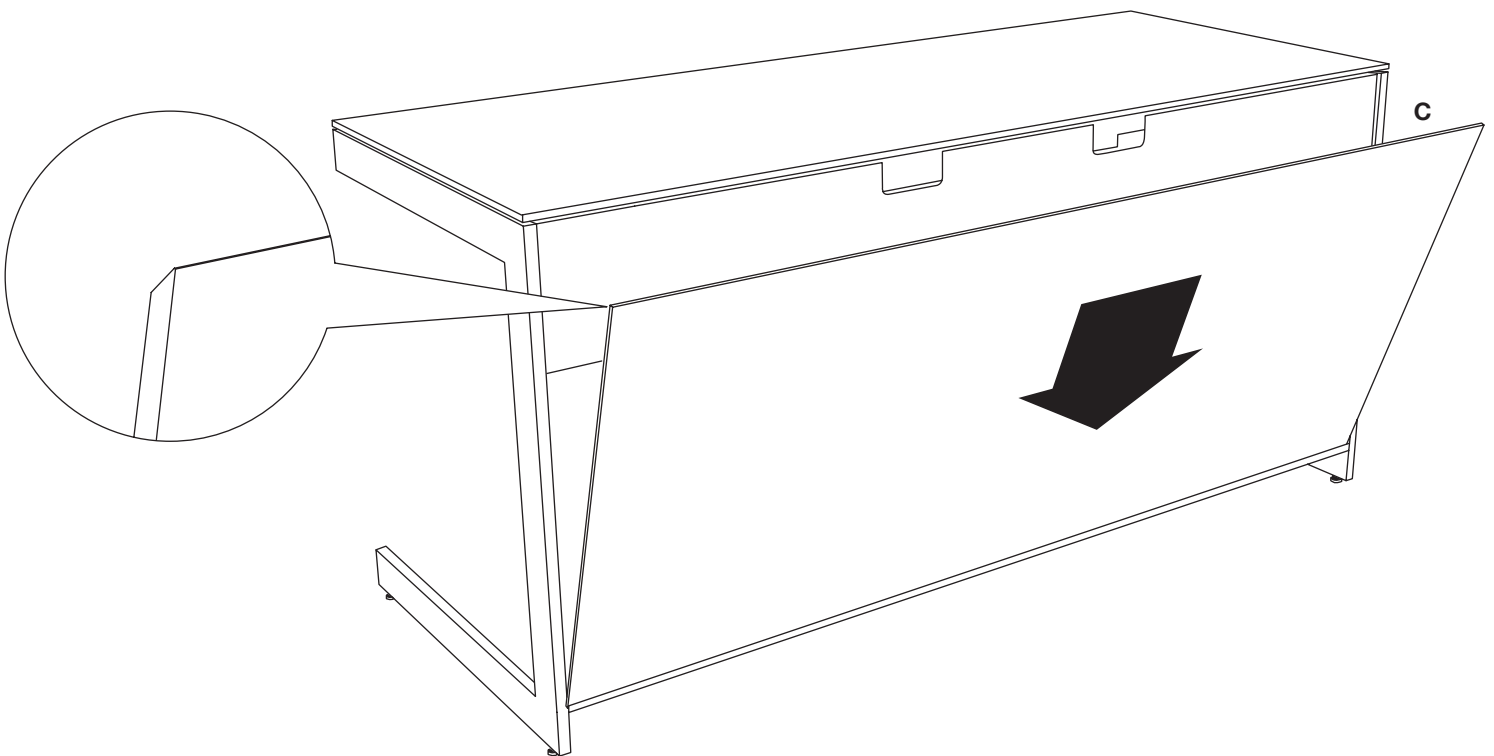
Use the slot holes provided to run all wires to and from the desk. Keep all wires behind folded metal lip—failure to do so will prevent **Back Panel (C)** and/or **Front Kick Panel (D)** from attaching properly.





### Step 11

Place Sequel Desk in desired location. Once all of the electrical wires are routed, install **Kick Panel (D)** as shown above. The rear side of panel has magnets that will hold the panel in place. **Note:** The Sequel Desk is designed to permit placement in front of an electrical outlet for easier wiring access.



### Optional Step

The **Back Panel (C)** is provided to conceal wire management, if desk is located in the middle of a room.