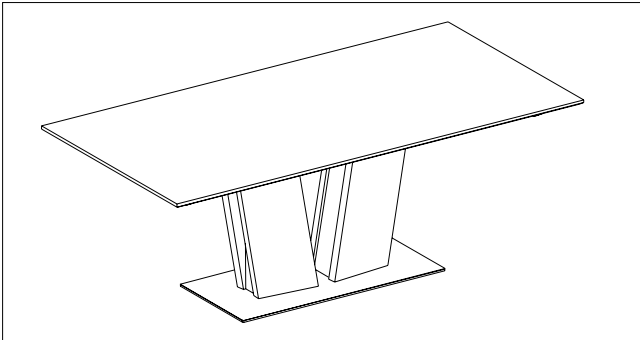


Assembly & Maintenance Instructions

<https://www.hanseninteriors.com/products/skovby-sm-39-dining-table-extendable>



SM39



Congratulations on your new Skovby furniture

Skovby

In the course of more than 80 years, Skovby has become one of the leading manufacturers of complete dining room suites in Europe. Skovby is known throughout the world for the timeless design, unique functions and fine workman-ship of its furniture.

Craftsmanship

Traditional craftsmanship still forms the basis of each piece of Skovby furniture, so you can be confident that you are getting the very best of Danish furniture tradition and design. Wood is an appealing material, among other things because of the beautiful, individual structures created by nature. Consequently, minor differences in colour and texture should not be regarded as defects, but be perceived as unique and individual. Not two pieces of furniture are 100% identical.

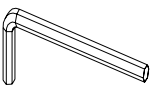

Care & Maintenance

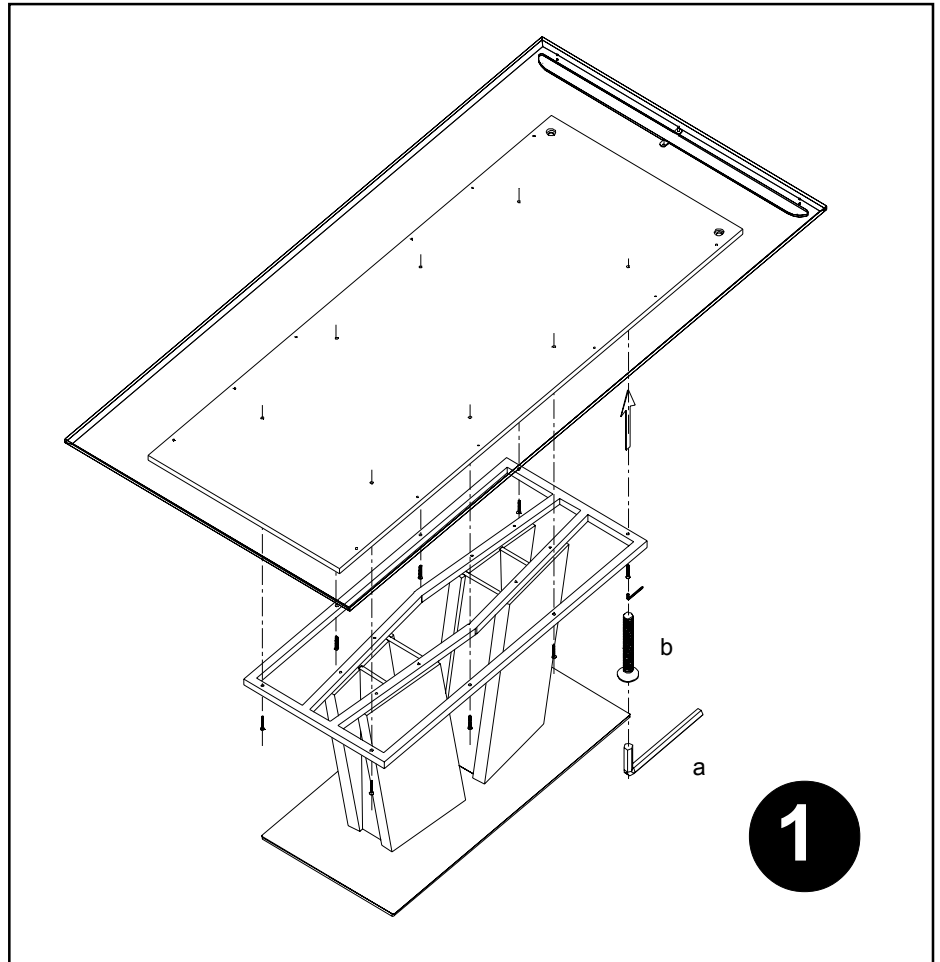
Always follow the care instructions leaflet accompanying your new furniture.



Assembly instructions

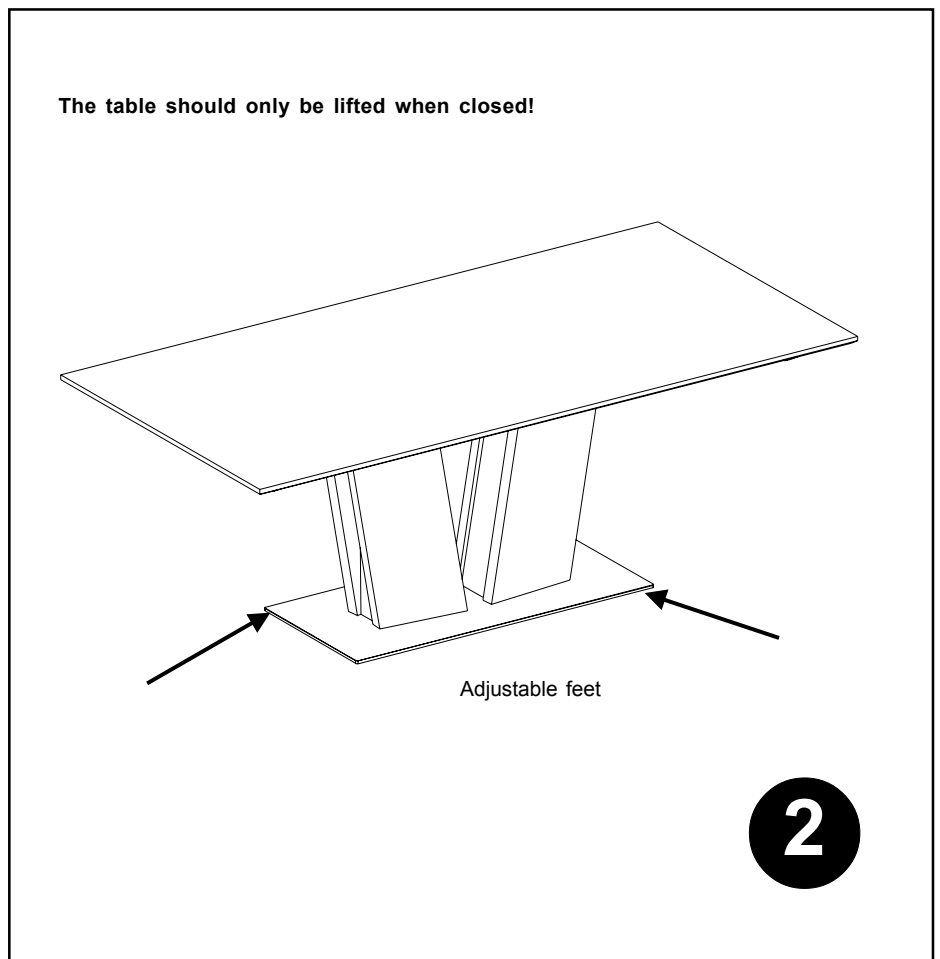
SM39

	Quantity/	Item
	1 x a	994234
	8 x b	994199



Environment

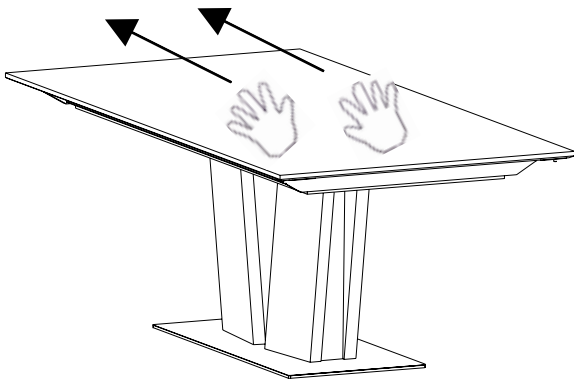
Skovby continually searches for new methods for the production of environmental furniture. Therefore your new furniture affects nature as little as possible as only the beautiful visible surfaces are made of slowly growing precious wood. The surface treatment and the eco-friendly inner wood, for veneered products, conform with the strictest European standards. This means that you can dispose of the furniture practically without polluting nature when the furniture eventually reaches the end of its life cycle.



INSTRUCTION MANUAL - EXTEND THE TABLE WITH EXTENSION LEAF

STEP 1

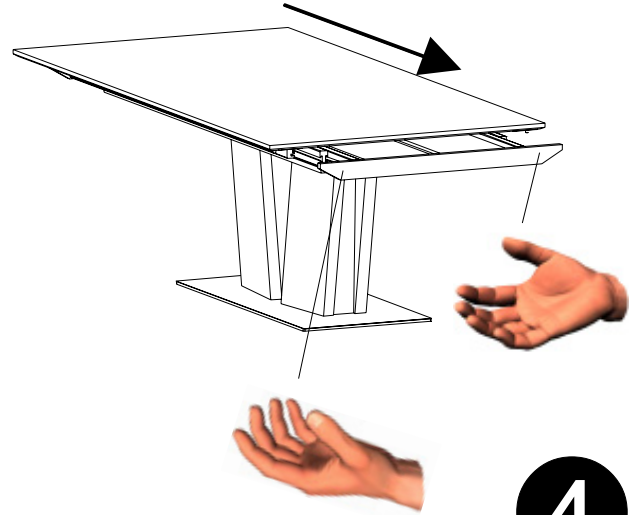
PUSH /



3

STEP 2

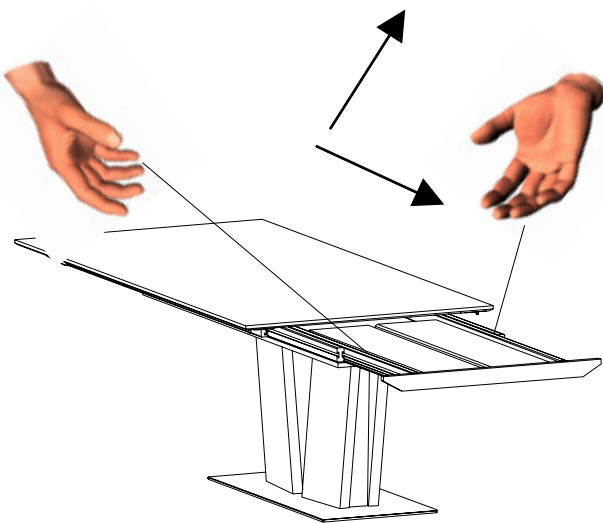
PULL UNTIL STOP /



4

STEP 3

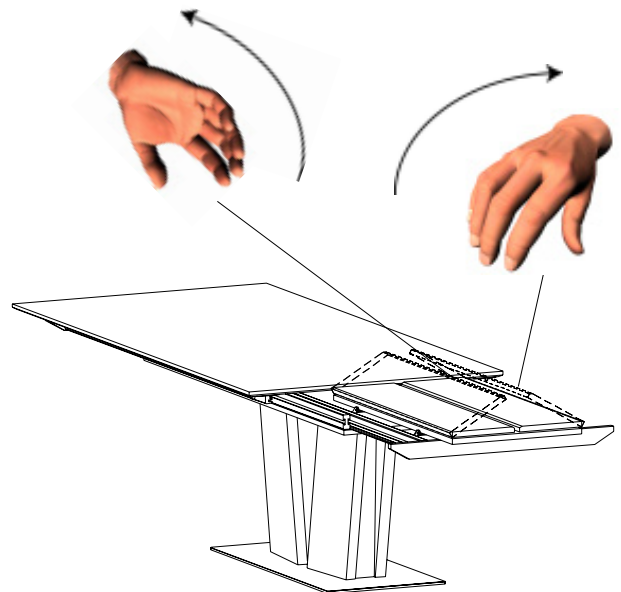
LIFT AND PULL



5

STEP 4

UNFOLD

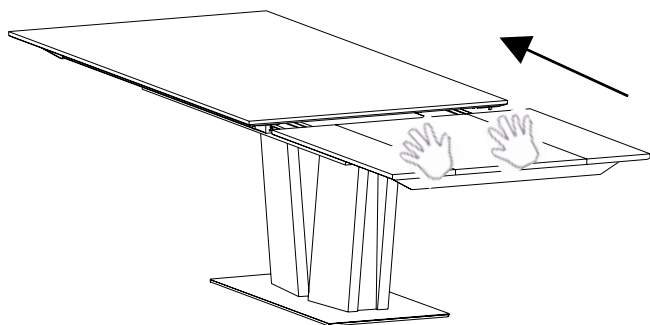


6

INSTRUCTION MANUAL - EXTEND THE TABLE WITH EXTENSION LEAF

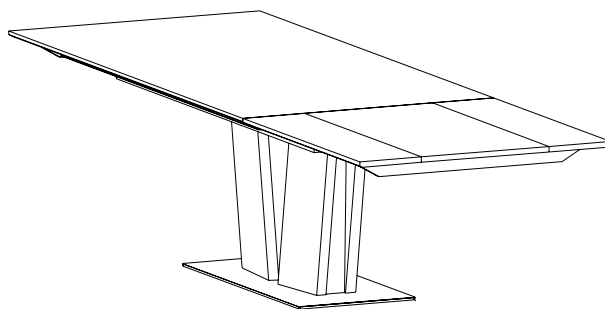
STEP 5

PUSH AND CLOSE



7

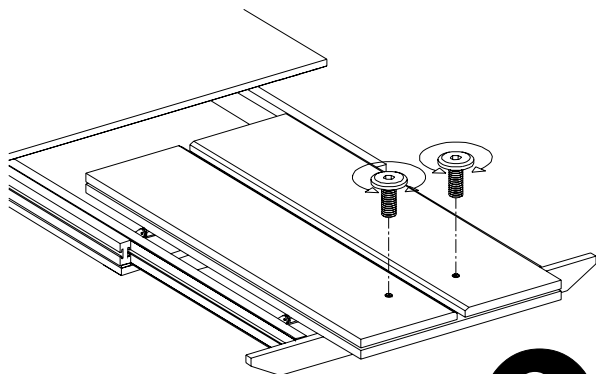
STEP 6



8

STEP 7

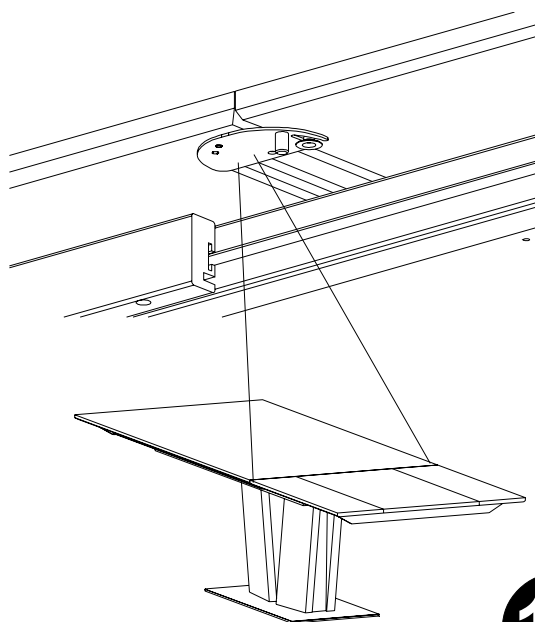
It is possible to adjust the extension leaf to ensure that it is completely level with the tabletop. This is done by folding the extension leaf wings and turning the bolts.



9

STEP 8

SYNCHRONOUS LOCK UNDER TABLETOP

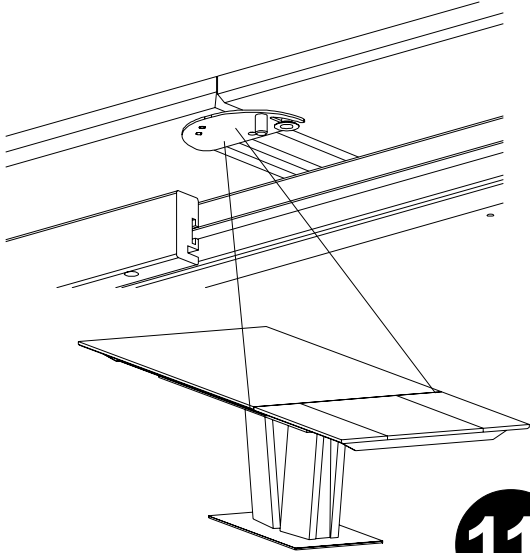


10

INSTRUCTION MANUAL - BACK TO STARTING POSITION

STEP 1

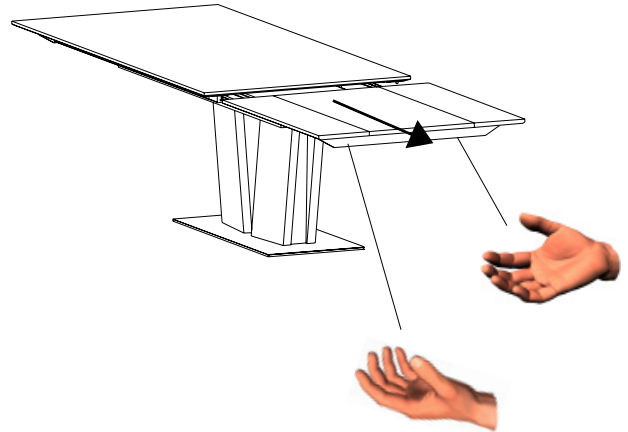
UNLOCK SYNCHRONOUS LOCK UNDER TABLETOP



11

STEP 2

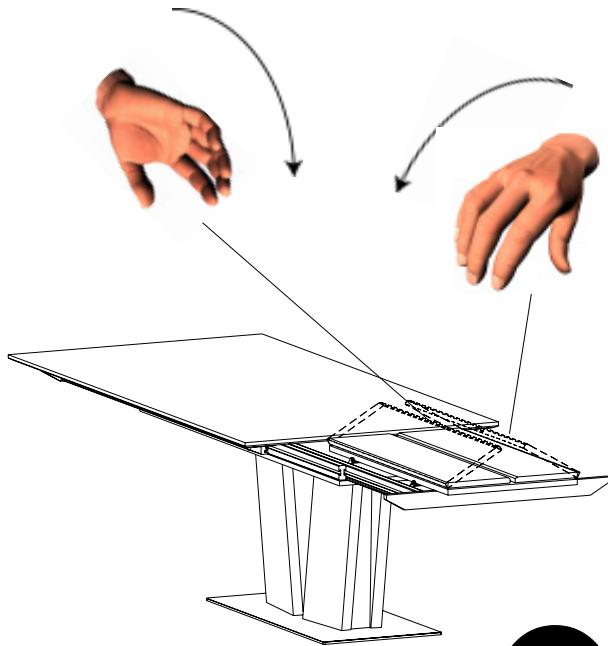
PULL AND OPEN



12

STEP 3

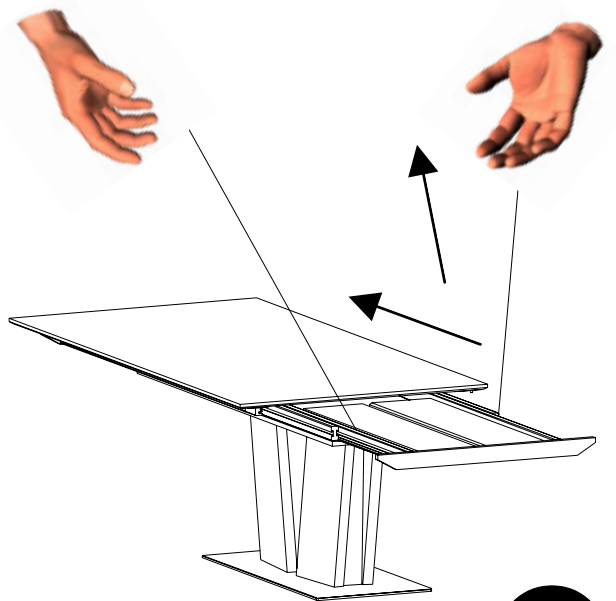
FOLD EXTENSION LEAVES



13

STEP 4

LIFT AND PUSH FORWARD AND DOWN

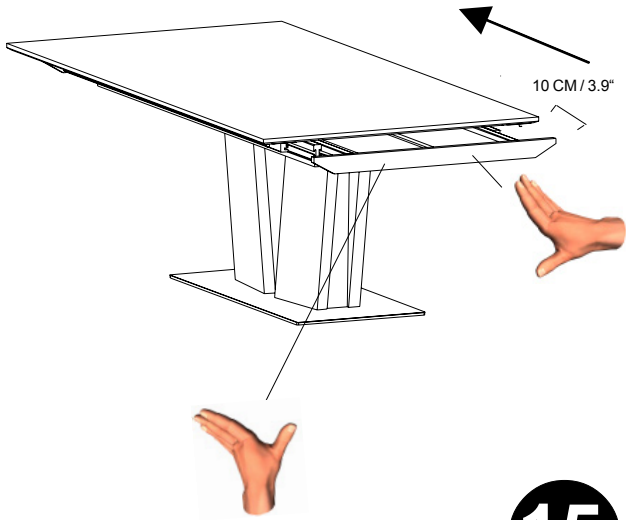


14

INSTRUCTION MANUAL - BACK TO STARTING POSITION

STEP 5

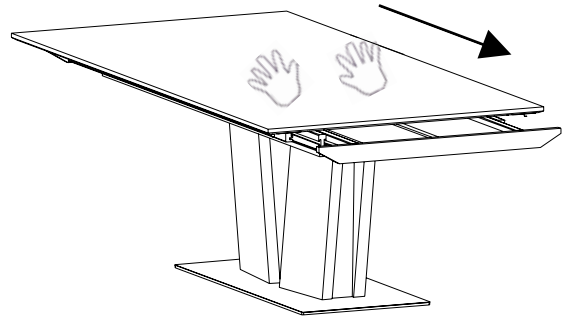
PUSH - MIND YOUR FINGERS!!



15

STEP 6

PULL AND CLOSE



16