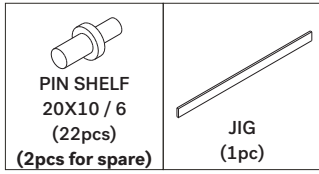


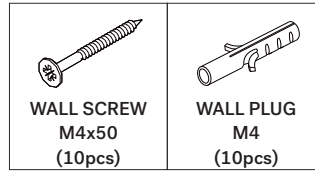
## 29779 PI WALL SHELF - VARNISHED MAHOGANY - 5 SHELVES ASSEMBLY INSTRUCTIONS FOR WALL SHELF INSTALLATION

### HARDWARE ENCLOSED



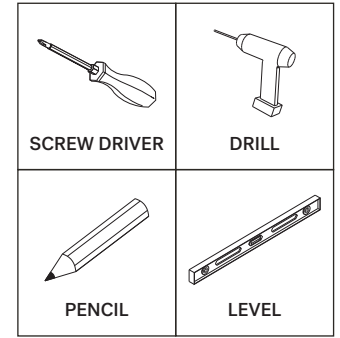
### HARDWARE REQUIRED

(Not included in this package)

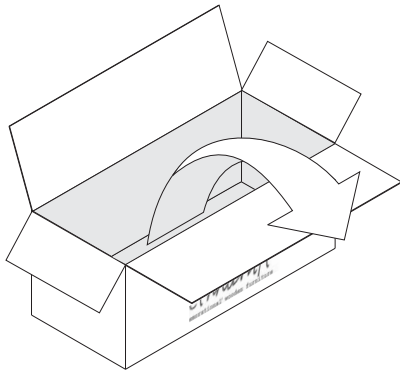


### TOOLS REQUIRED

(Not included in this package)



**AS WALL MATERIALS VARY, SCREWS FOR FIXING TO WALL ARE NOT INCLUDED. FOR ADVICE ON SUITABLE SCREW SYSTEMS, CONTACT YOUR LOCAL SPECIALISED DEALER.**

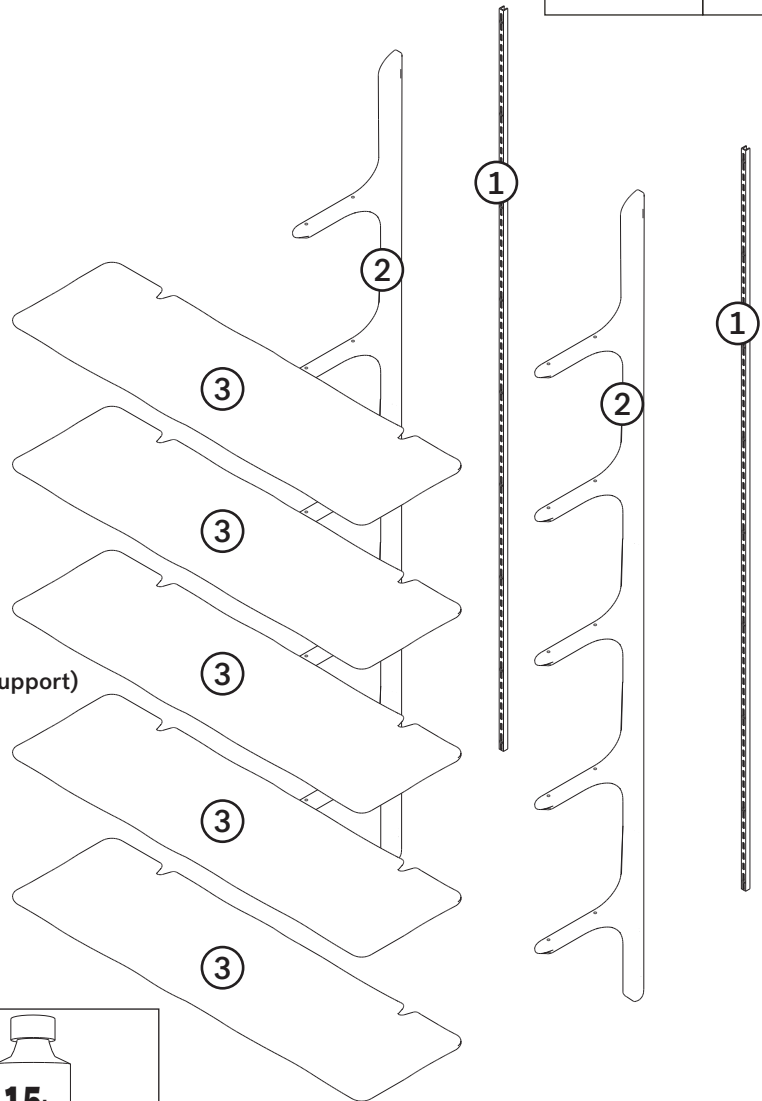


### IN YOUR PACKAGE :

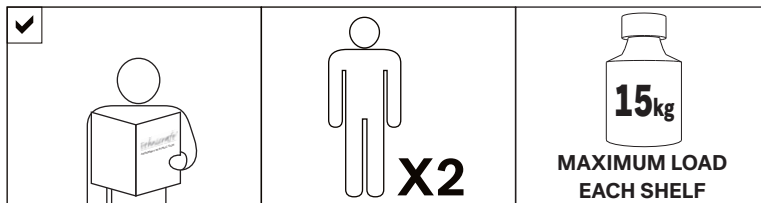
ASSEMBLY INSTRUCTION  
HARDWARES (AS LISTED ABOVE)

### PARTS TO BE INSTALLED

1. METAL HANGING 2 pcs (pre-installed on the shelf support)
2. SHELF SUPPORT 2 pcs
3. SHELVES 5 pcs



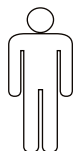
### NOTICE



### SYMBOLS



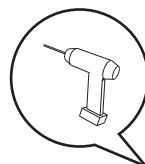
DIRECTION



NUMBER OF  
PERSONS NEEDED



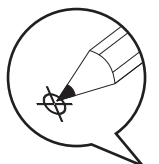
USE HAND



USE DRILL



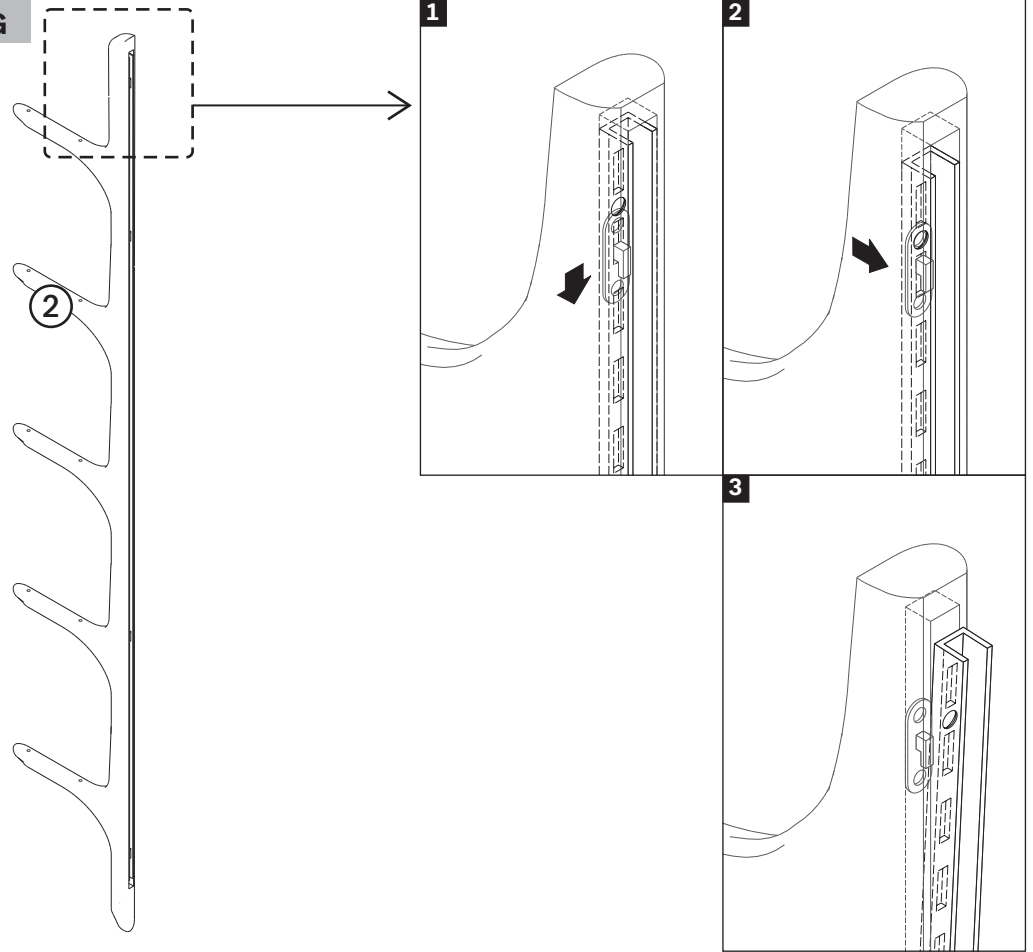
USE SCREWDRIVER  
TO TIGHTEN



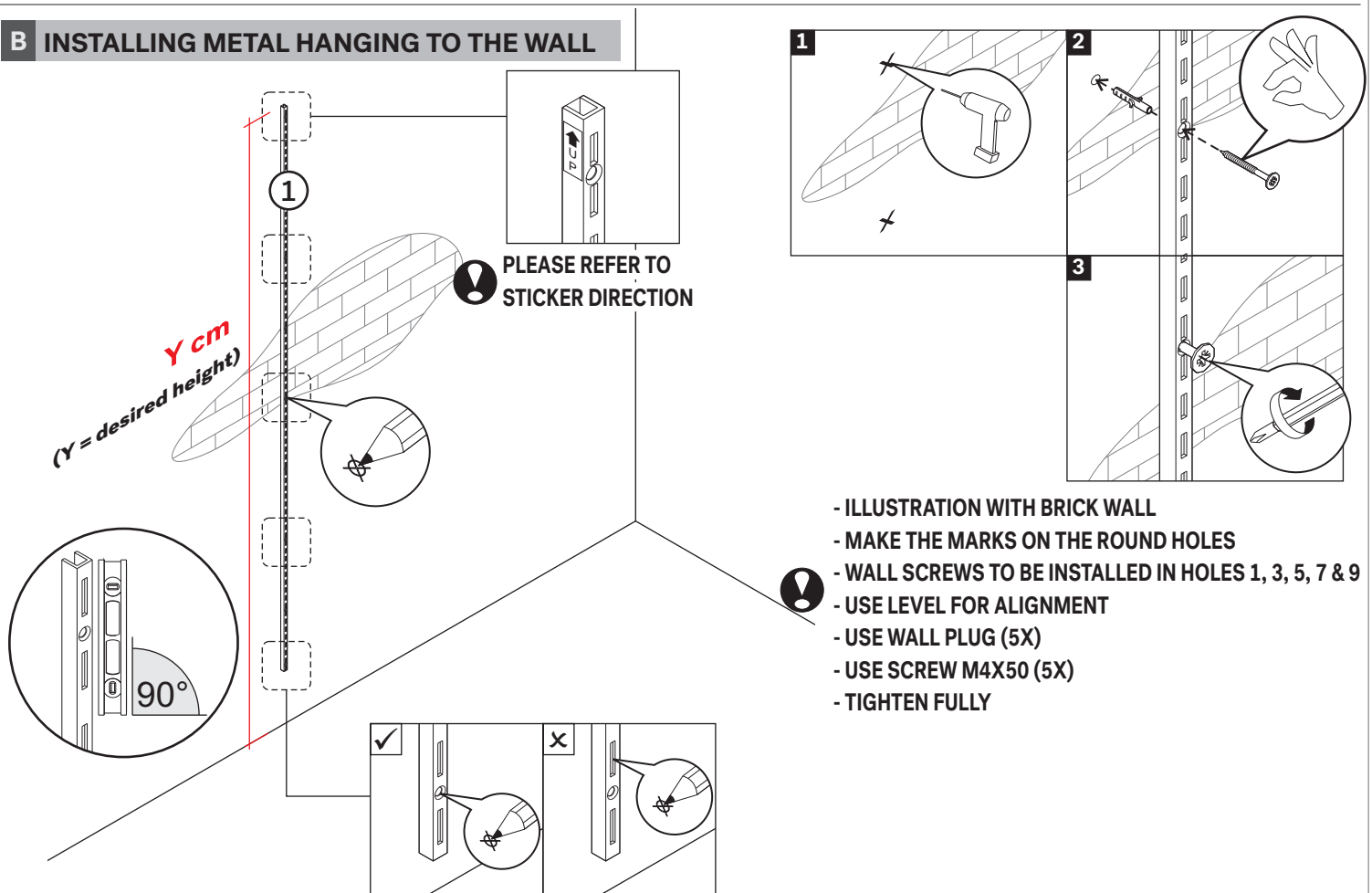
USE PENCIL

## 29779 PI WALL SHELF - VARNISHED MAHOGANY - 5 SHELVES ASSEMBLY INSTRUCTIONS FOR WALL SHELF INSTALLATION

### A RELEASING METAL HANGING

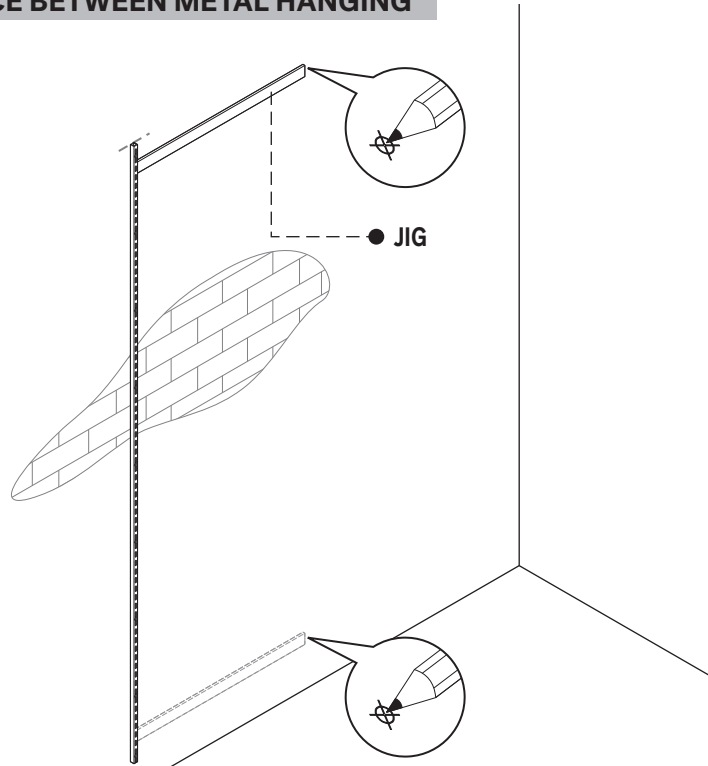


### B INSTALLING METAL HANGING TO THE WALL



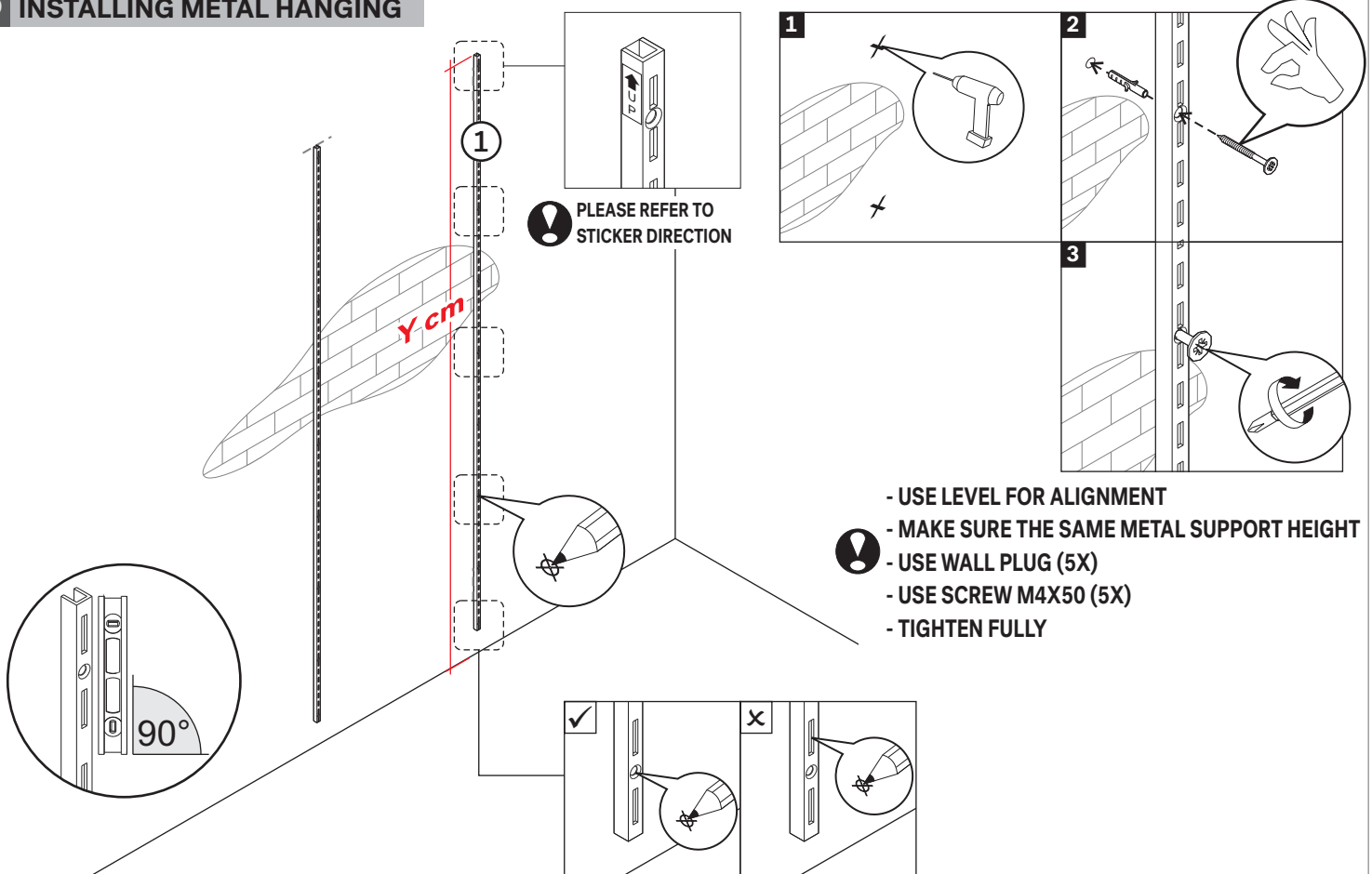
## 29779 PI WALL SHELF - VARNISHED MAHOGANY - 5 SHELVES ASSEMBLY INSTRUCTIONS FOR WALL SHELF INSTALLATION

### C DETERMINE THE DISTANCE BETWEEN METAL HANGING



- ! - USE JIG
- USE GUIDELINES TO ENSURE VERTICAL LINES

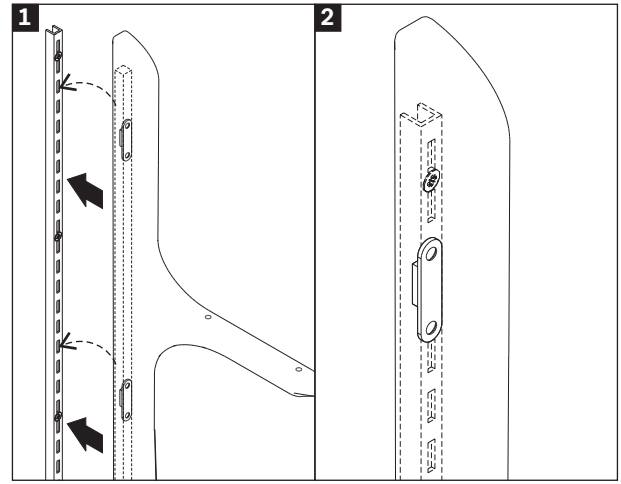
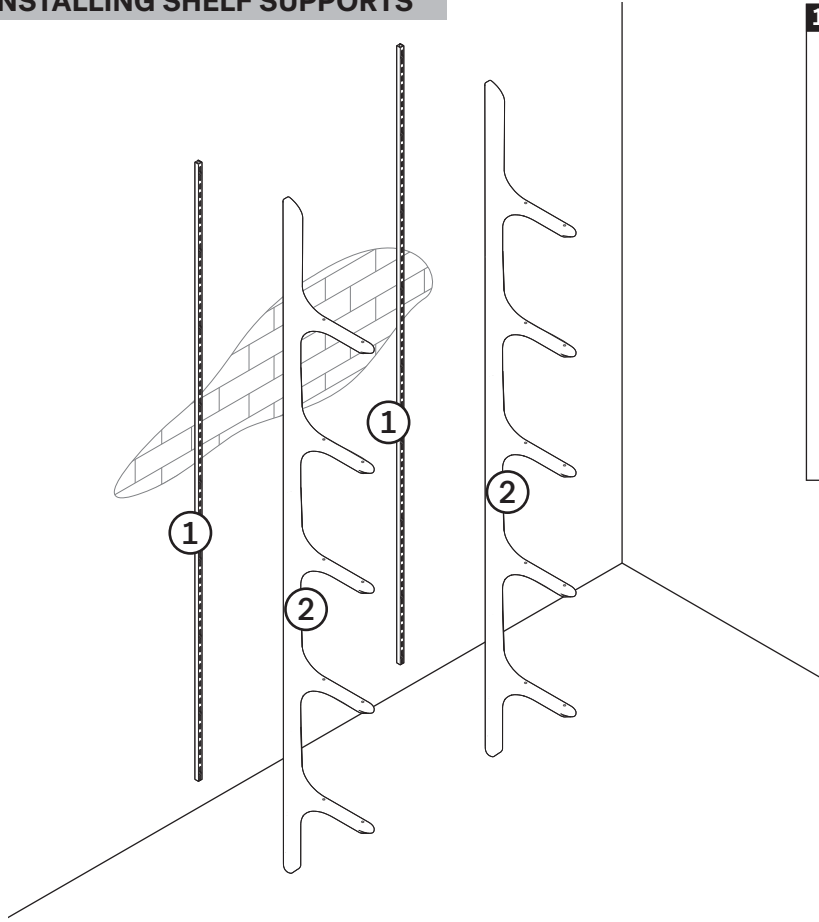
### D INSTALLING METAL HANGING



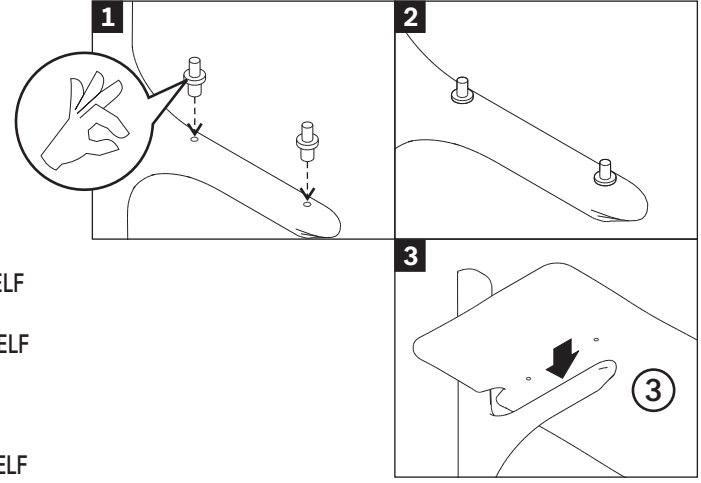
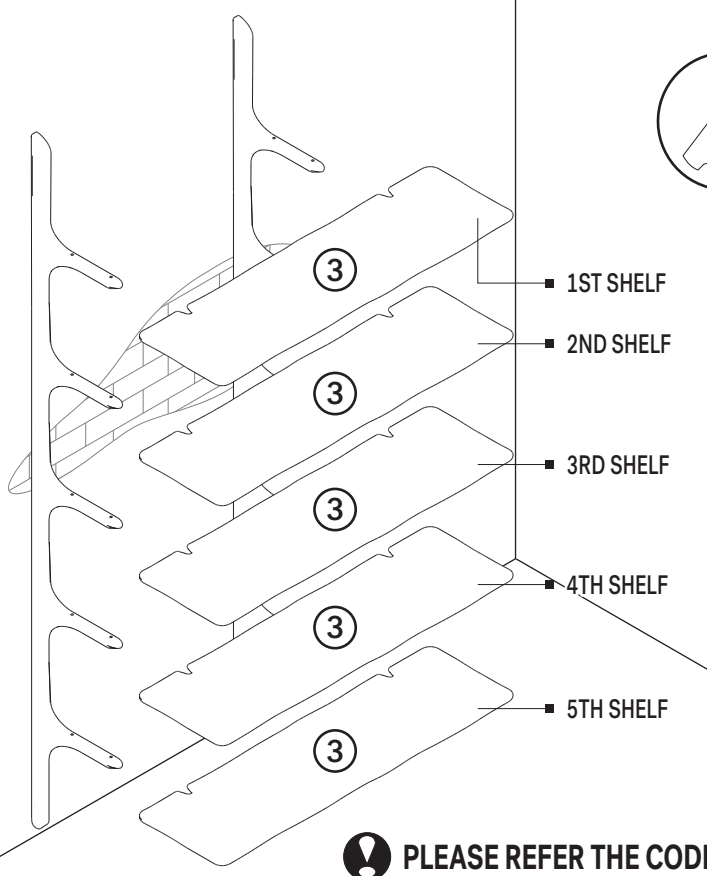
- USE LEVEL FOR ALIGNMENT
- MAKE SURE THE SAME METAL SUPPORT HEIGHT
- ! - USE WALL PLUG (5X)
- USE SCREW M4X50 (5X)
- TIGHTEN FULLY

## 29779 PI WALL SHELF - VARNISHED MAHOGANY - 5 SHELVES ASSEMBLY INSTRUCTIONS FOR WALL SHELF INSTALLATION

### E INSTALLING SHELF SUPPORTS



### F INSTALLING SHELVES



**!** - USE PIN SHELF (20X)

**!** PLEASE REFER THE CODE OF EACH SHELF